

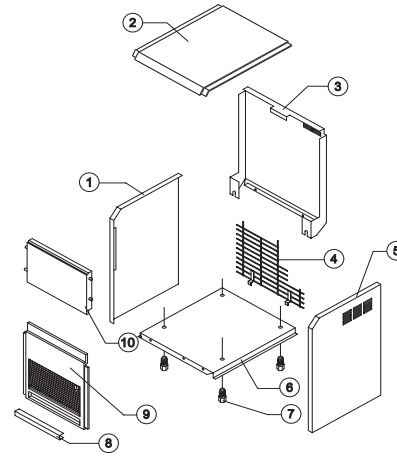


# CB 184

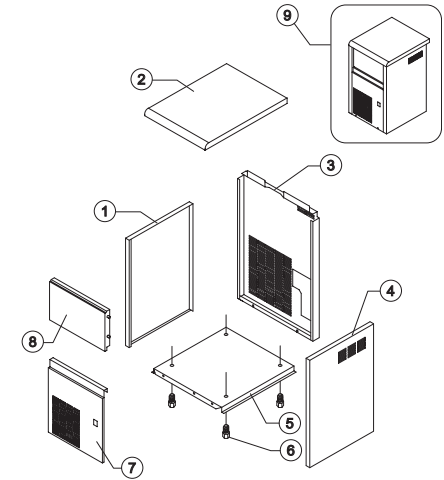
# LIST OF THE EXPLODED VIEWS



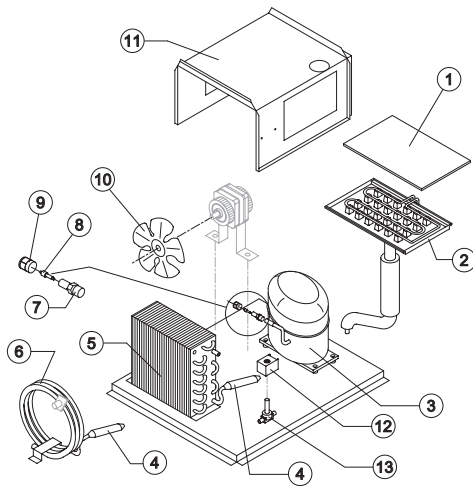
## SHELL - ABS



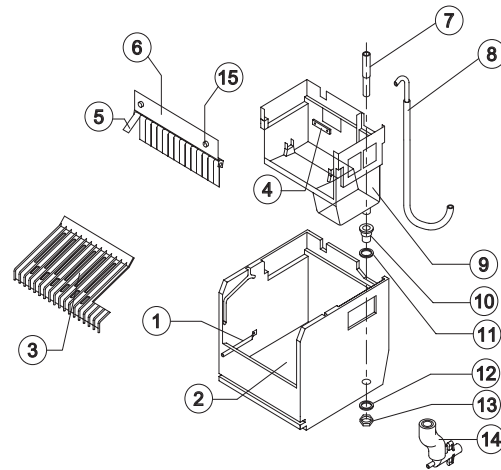
## SHELL - STAINLESS STEEL



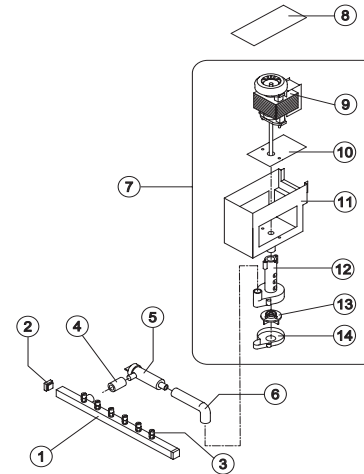
## COOLING SYSTEM



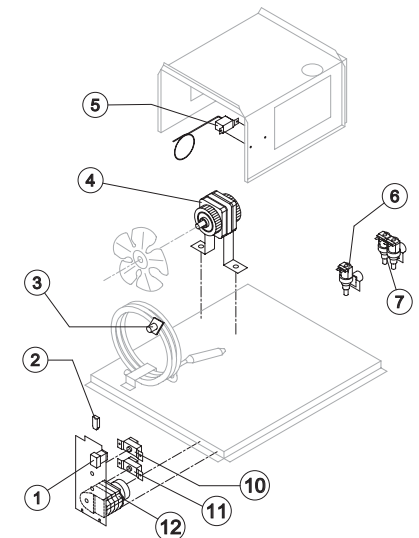
## HYDRAULIC CIRCUIT



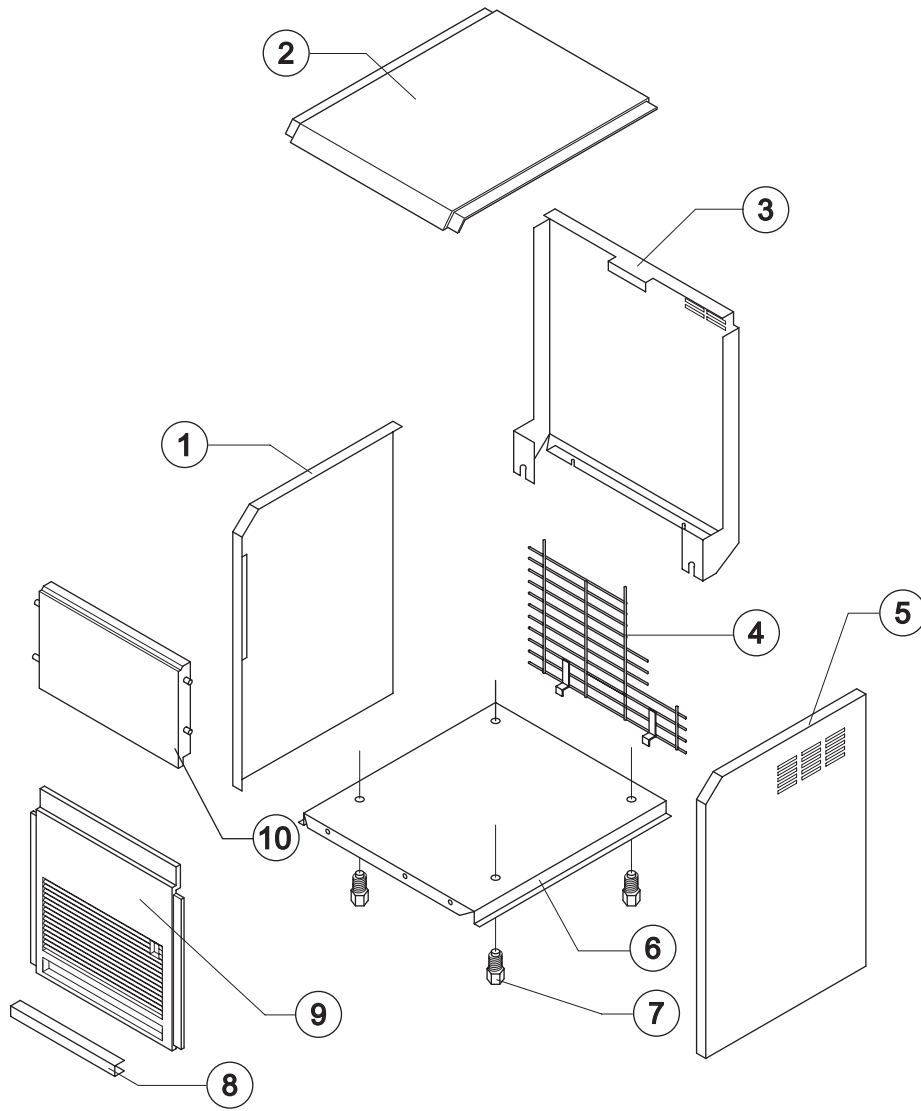
## SPRAYER PUMP



## ELECTRIC PARTS



Rev. 6 - 06/07/2005



### Panels - Blue Version

Ref.	Spare Description	Code
1	Left Side	10061
2	Top	10062
5	Right Side	10060
8	Screws Cover	10069
9	Front Grid Panel	10063
10	Door	10081

### Panels - Grey Version

Ref.	Spare Description	Code
1	Left Side	10105
2	Top	10102
5	Right Side	10099
8	Screws Cover	10098
9	Front Grid Panel	10101
10	Door	10103

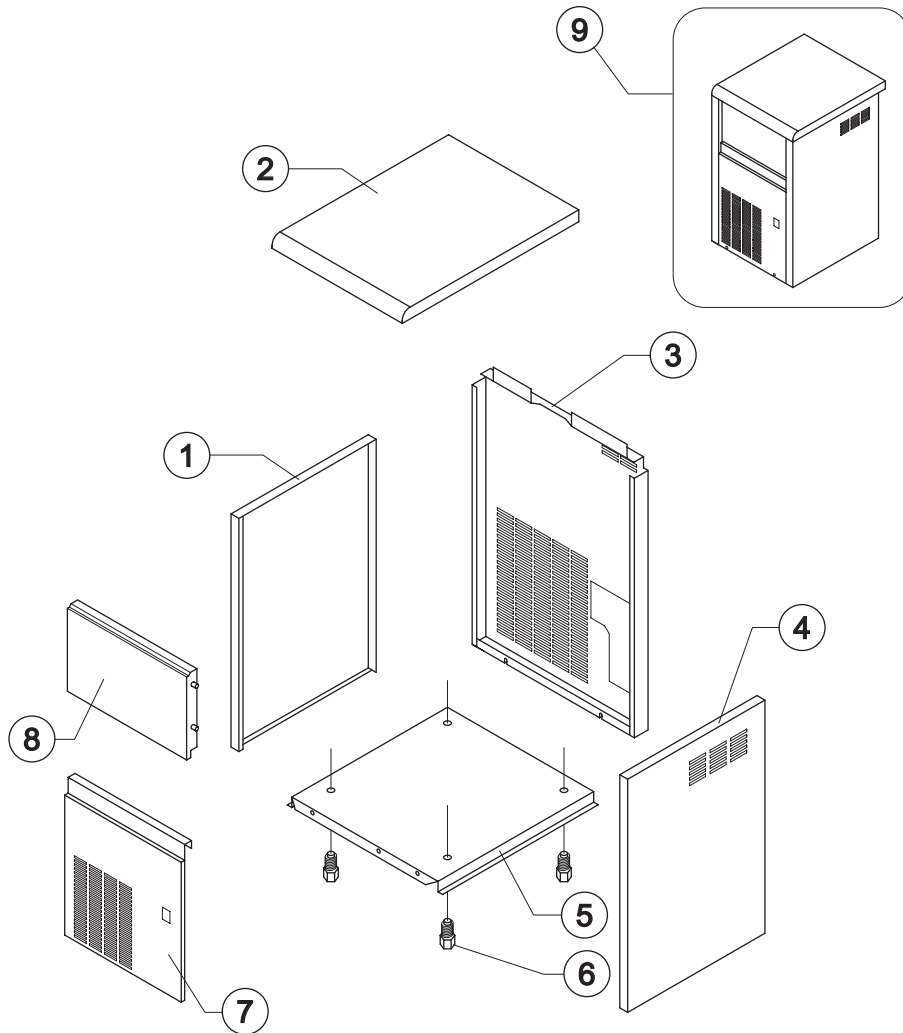
### Common Finishes

Ref.	Spare Description	Code
3	Back Panel	21064
4	Back Grid	D12028
6	Base Plate	C21062
7	Foot	10017



# CB 184

# SHELL - STAINLESS STEEL



## Version With Modular Panels

Ref.	Spare Description	Code
1	Left Panel	22713
2	Top	C22714
3	Back Panel	21235
4	Right Panel	22712
7	Front Grid Panel	22700

## Version With Single Shell

Ref.	Spare Description	Code
3	Back Panel	21194
9	Single Shell	22505



The above version has been used till the s/n 102225. It has been then replaced by the version with modular panels.

## Common Finishes

Ref.	Spare Description	Code
5	Base Plate	C21062
6	Foot	10017
8	Dark Grey Door	10277



# CB 184

# COOLING SYSTEM

### Common Parts

Ref.	Spare Description	Code
1	Evaporator Cover	Current Version 10498
1	Evaporator Cover	Till s/n. 230066 10076
2	Evaporator	D10079
3	Compressor	See Table -
4	Molecular Drier	BRE3126063
7	Vacuum-Charge Valve Body	14007
8	Vacuum-Charge Valve Device	14005
9	Vacuum-Charge Valve Plug	14006
11	Bin Support Saddle	22095
12	Hot Gas Coil	See Table -
13	Hot Gas Valve Body	BRE1124048

### Parts for Air-Cooled Version Only

Ref.	Spare Description	Code
5	Air Condenser	20094
10	Suction Fan	20095

### Parts for Water-Cooled Version Only

Ref.	Spare Description	Code
6	Water Condenser	BRE4114182
10	Suction Fan	BRE3109041

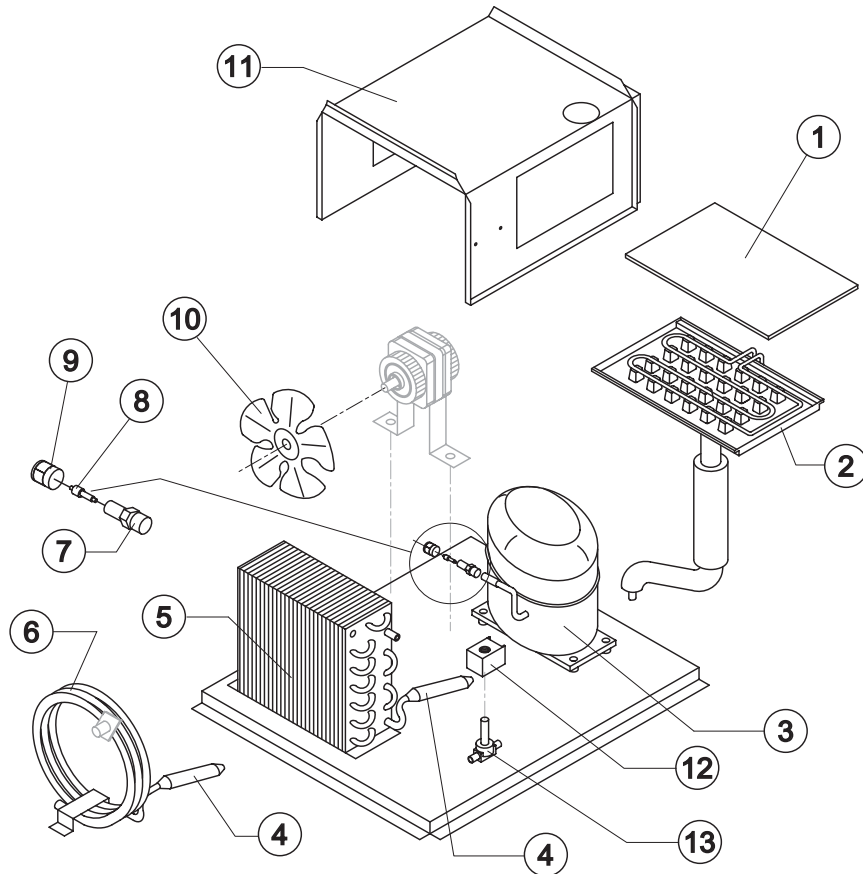
### Ref. 3 - Compressor

Tension	Code
220/240V 50 Hz	23436
220/230V 60 Hz	23494
110/115V 60 Hz	23446

### Ref. 12 - Hot Gas Coil

Tension	Code
220/240V 50 Hz	BRE1124012
220/230V 60 Hz	BRE1124012
110/115V 60 Hz	23256

Rev. 6 - 06/07/2005





# CB 184

# HYDRAULIC CIRCUIT

### Common Parts

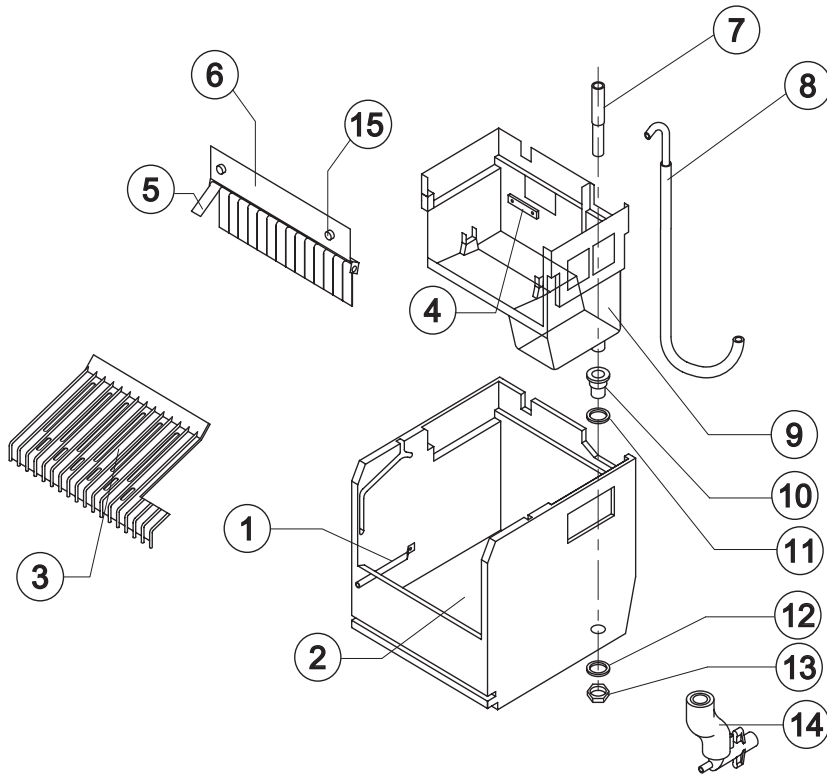
Ref.	Spare Description	Code
1	Bulbe Thermostat Tube	20520
2	Foamed Bin	11016/E
3	Ice Cubes Slide	10136
4	Slide Keep Plate	10142
5	Flag	<b>BRE4114075</b>
6	Flags Support Assy	<b>BRE4114058</b>
7	Overflow Pipe	13028
8	Evaporator's Feeding Pipe Assy	C20535
9	Inner Basin	10064
10	Plastic Nipple Water Outlet	10472
11	Silicone Gasket	13006
12	Semirigid Polyethylene Gasket	13007
13	Bin Discharge Nut	10096
15	Fixing Screw	<b>BRE1141007</b>

### Parts for Air-Cooled Version Only

Ref.	Spare Description	Code
14	Discharges Manifold	C10006

### Parts for Water-Cooled Version Only

Ref.	Spare Description	Code
14	Discharges Manifold	C26452

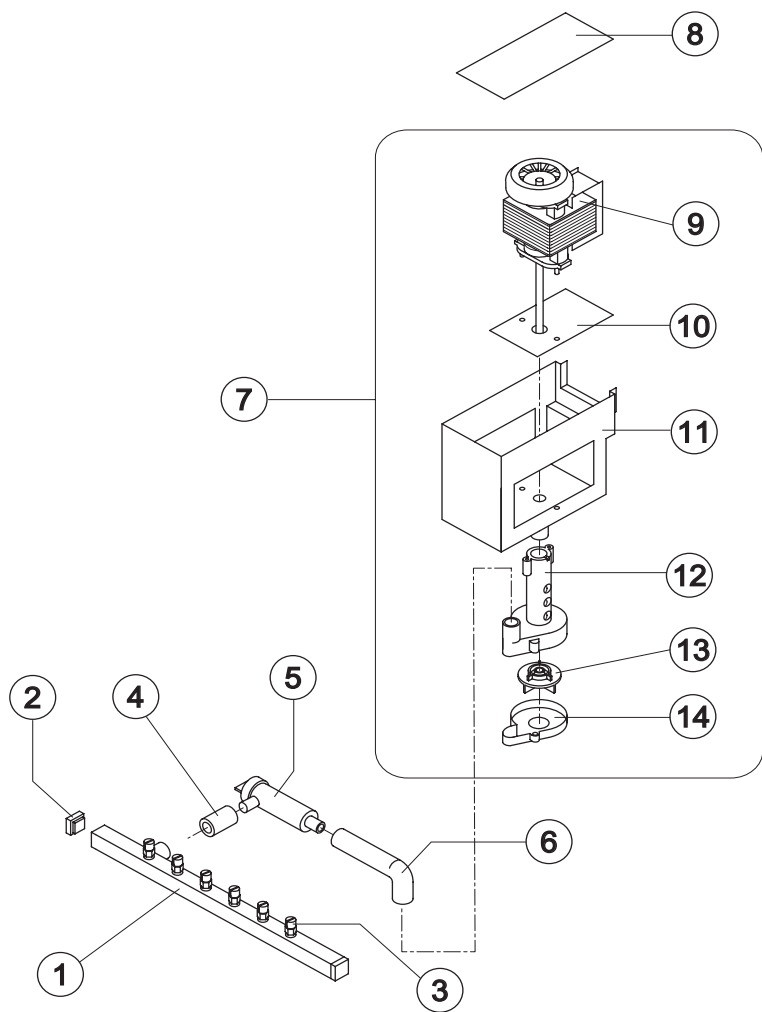


Rev. 6 - 06/07/2005



# CB 184

## SPRAYER PUMP



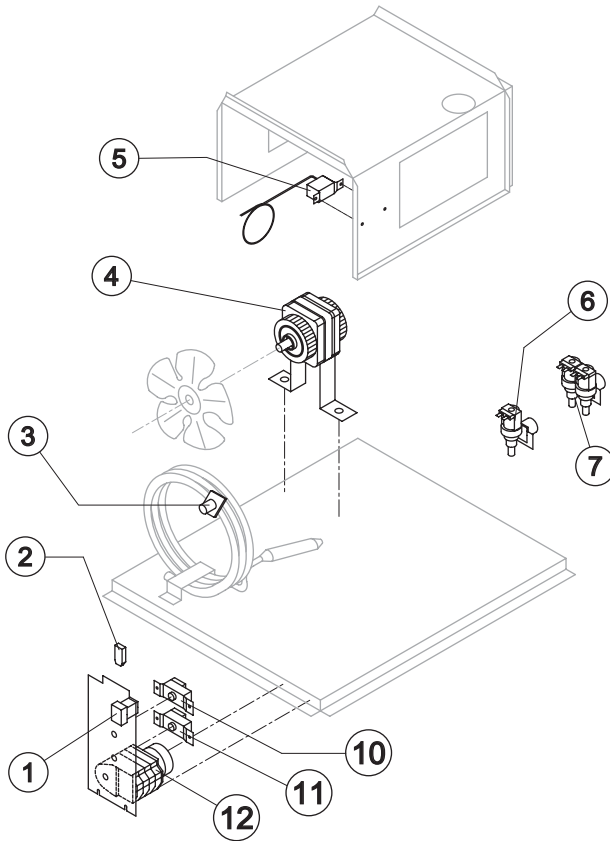
Ref.	Spare Description	Code
1	Sprayers Bar Assembly	<b>BRE4114052</b>
2	Sprayers Bar Plug	<b>BRE4114092</b>
3	Spray jet	<b>BRE3102007</b>
4	Filter-Sprayers Bar Connection Pipe	13056
5	Pump Filter	<b>BRE3126120</b>
6	Pump-Filter Connection Pipe	13055
7	Pump Assy	<b>BRE1103006</b>
8	Pump Cover	Till s/n. 230066 22096
9	Pump Motor	<b>BRE1103135</b>
10	Heat Dissipator	22430
11	Pump Motor Container	10073
12	Pump Body	10065
13	Pump Impeller	10066
14	Diffuser	10067

Rev. 6 - 06/07/2005



# CB 184

# ELECTRIC PARTS



### Common Parts

Ref.	Spare Description	Code
1	Switch On-Off (Green Color)	23078
4	Fan Motor	See Table
10	Bin Thermostat	<b>BRE1106003</b>
11	Evaporator Thermostat	<b>BRE1106002</b>
12	Timer	<b>BRE1112013</b>

### Parts for Air-Cooled Version Only

Ref.	Spare Description	Code
6	Inlet Water Valve 1 Way	<b>BRE1124183</b>

### Parts for Water-Cooled Version Only

Ref.	Spare Description	Code
2	Anti Radio Interference Filter	Only 220V 50 Hz C23457
3	Safety Thermostat	<b>BRE1106130</b>
5	Condenser Pressure Switch	<b>BRE1113005</b>
7	Inlet Water Valve 2 Ways	<b>BRE1124191</b>

Rev. 6 - 06/07/2005

#### Ref. 4 - Fan Motor

Tension	Code
220/240V 50 Hz	23029
220/230V 60 Hz	23029
110/115V 60 Hz	23683

#### Ref. 6 - Inlet W. Valve 1 Way

Tension	Code
220/240V 50 Hz	<b>BRE1124183</b>
220/230V 60 Hz	<b>BRE1124183</b>
110/115V 60 Hz	23499

#### Ref. 7 - Inlet W. Valve 2 Ways

Tension	Code
220/240V 50 Hz	<b>BRE1124191</b>
220/230V 60 Hz	<b>BRE1124191</b>
110/115V 60 Hz	23500

#### Ref. 12 - Timer

Tension	Code
220/240V 50 Hz	<b>BRE1112013</b>
220/230V 60 Hz	<b>BRE1112013</b>
110/115V 60 Hz	23258