

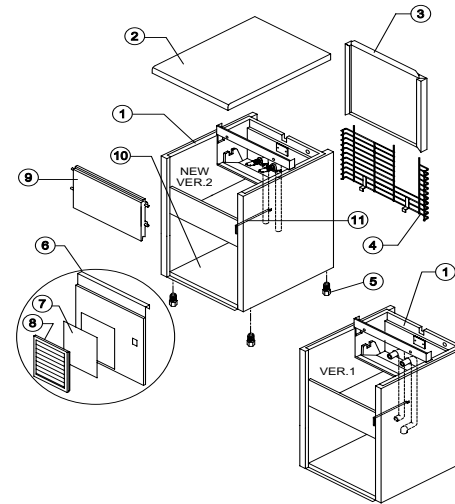


# CB 249

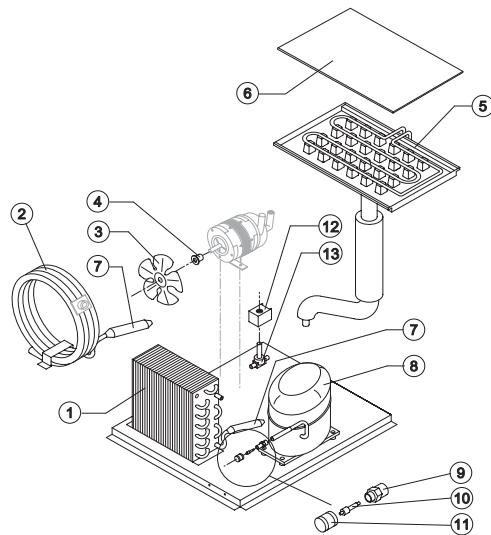
# LIST OF THE EXPLODED VIEWS



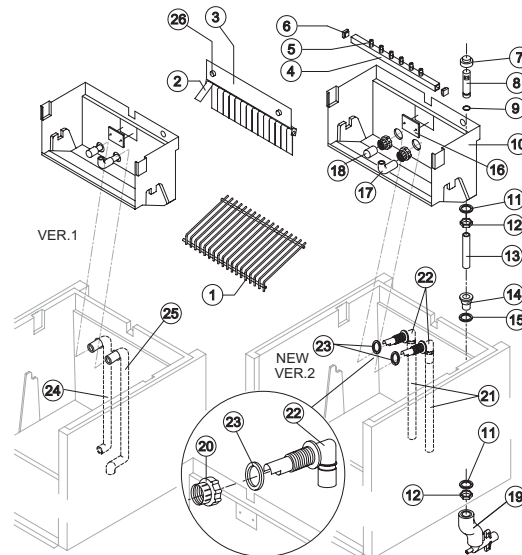
## SHELL ASSY



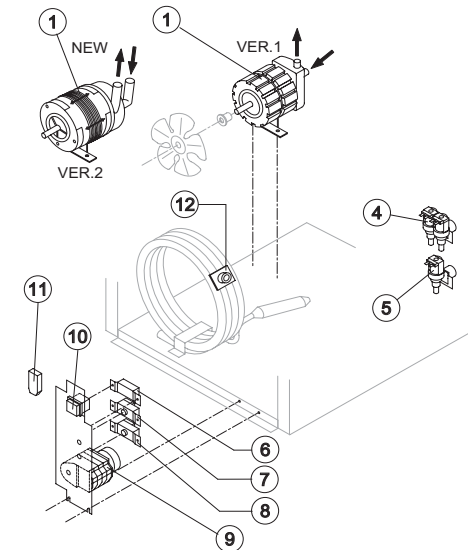
## COOLING SYSTEM



## HYDRAULIC CIRCUIT



## ELECTRIC PARTS

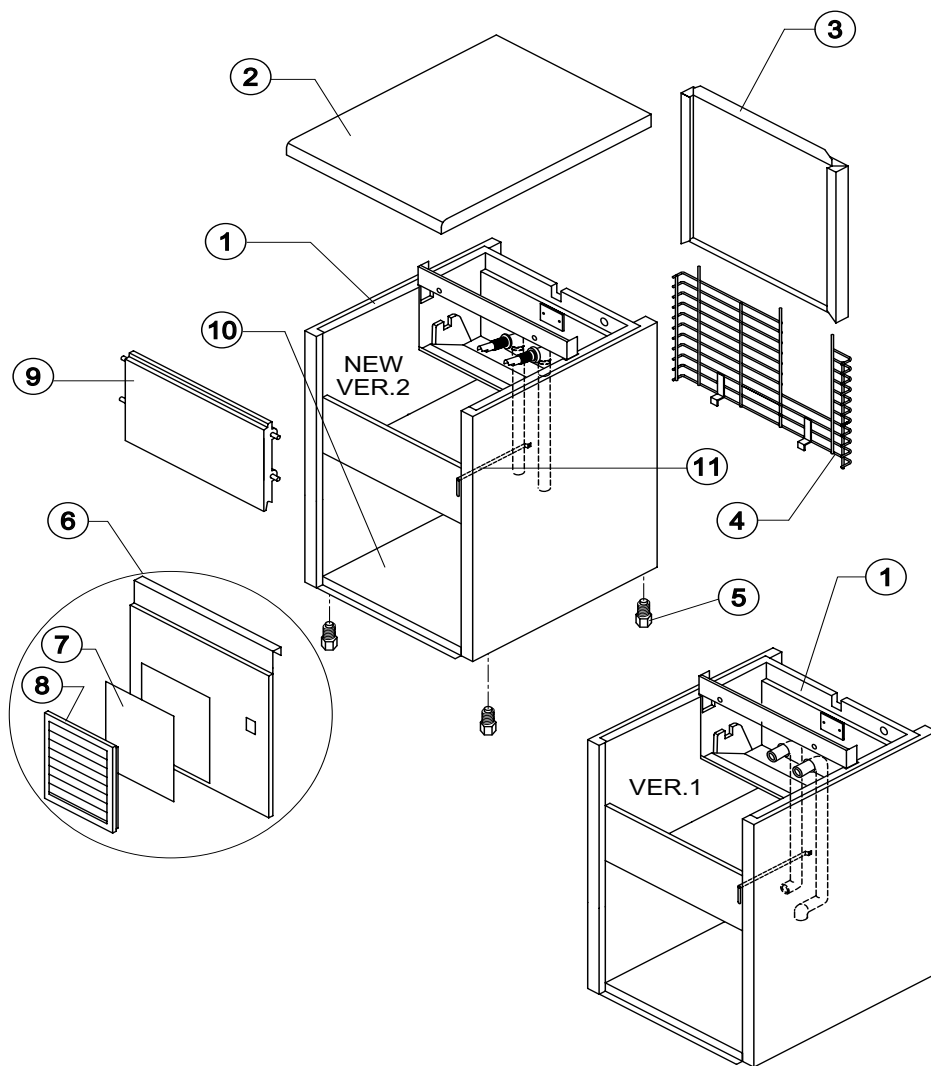


Rev. 5 - 20/07/2005



# CB 249

# SHELL ASSY



Rev. 5 - 20/07/2005

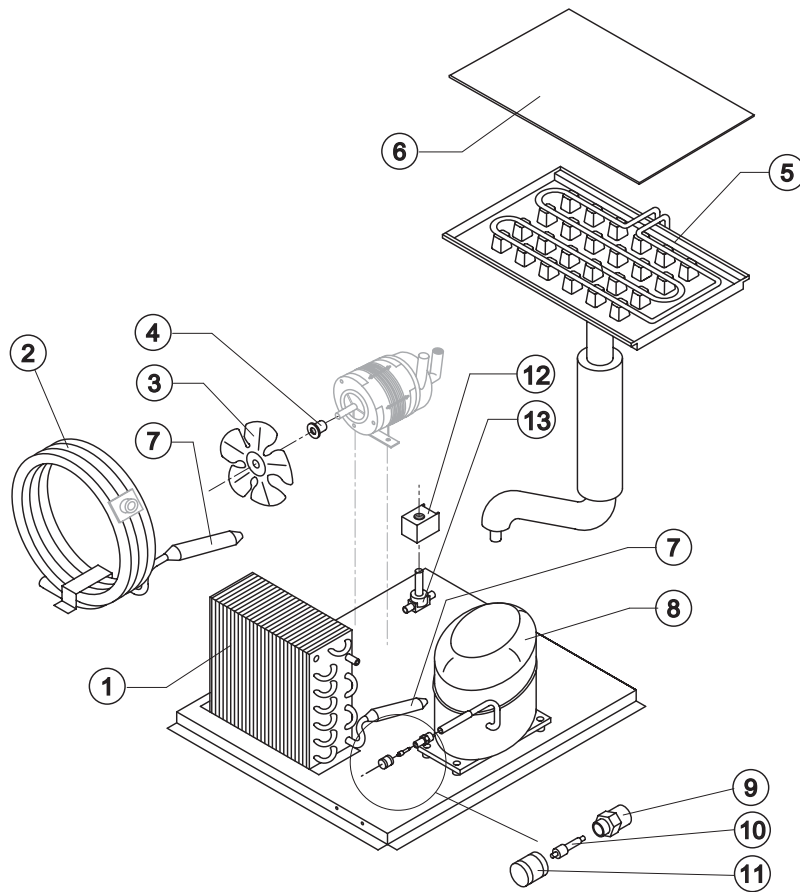
Ref.	Spare Description	Code
1	Foamed Cabinet Assy	See Table
2	Top Assembly	C22693
3	Back Panel Assembly	C21181
4	Rear Grid	D12002
5	Foot	10017
6	Front Grid Panel	Current Version
6	Front Panel	Till s/n 28711
7	Filtering Panel	18106
8	Frame with Grid & Filter	C10205
9	Door Assembly	<b>BRE4114109</b>
10	Base Plate	21001
11	Bulb Thermostat Tube	20520

Ref. 1 - Foamed Cabinet Assy  
Version 1

Kind of Cube	Code
18 g. (Standard)	C11041/E
33 g.	C11041/E
13 g.	C11041/ED

Ref. 1 - Foamed Cabinet Assy  
Version 2

Condensation	Code
Air	C11041A
Water	C11041W



### Common Parts

Ref.	Spare Description	Code
3	Fan blade	<b>BRE3109041</b>
4	Hub for the Fan Fixing	10014
5	Evaporator	<b>BRE4114160</b>
6	Evaporator Cover	Current Version 10451
6	Evaporator Cover	Till s/n. 225017 10008
7	Molecular Drier	<b>BRE3126063</b>
8	Compressor	See Table -
9	Vacuum-Charge Valve Body	14007
10	Vacuum-Charge Valve Device	14005
11	Vacuum-Charge Valve Plug	14006
12	Hot Gas Coil	<b>BRE1124012</b>
13	Hot Gas Valve Body	<b>BRE1124048</b>

### Parts for Air Cooled Version Only

Ref.	Spare Description	Code
1	Air Condenser	Current Version 20534
1	Air Condenser	Till s/n. 104604 20069

### Parts for Water Cooled Version Only

Ref.	Spare Description	Code
2	Water Condenser	Current Version 14057
2	Water Condenser	Till s/n. 28525 14002

### Ref. 5 - Evaporator

Kind of Cube	Code
18 g. (Standard)	BRE4114160
33 g.	D10320
13 g.	D10416

### Ref. 8 - Compressor

Tension	Code
220/240V 50 Hz	23441 (*)
220/230V 60 Hz	23494
110/115V 60 Hz	23446

### Ref. 12 - Hot Gas Coil

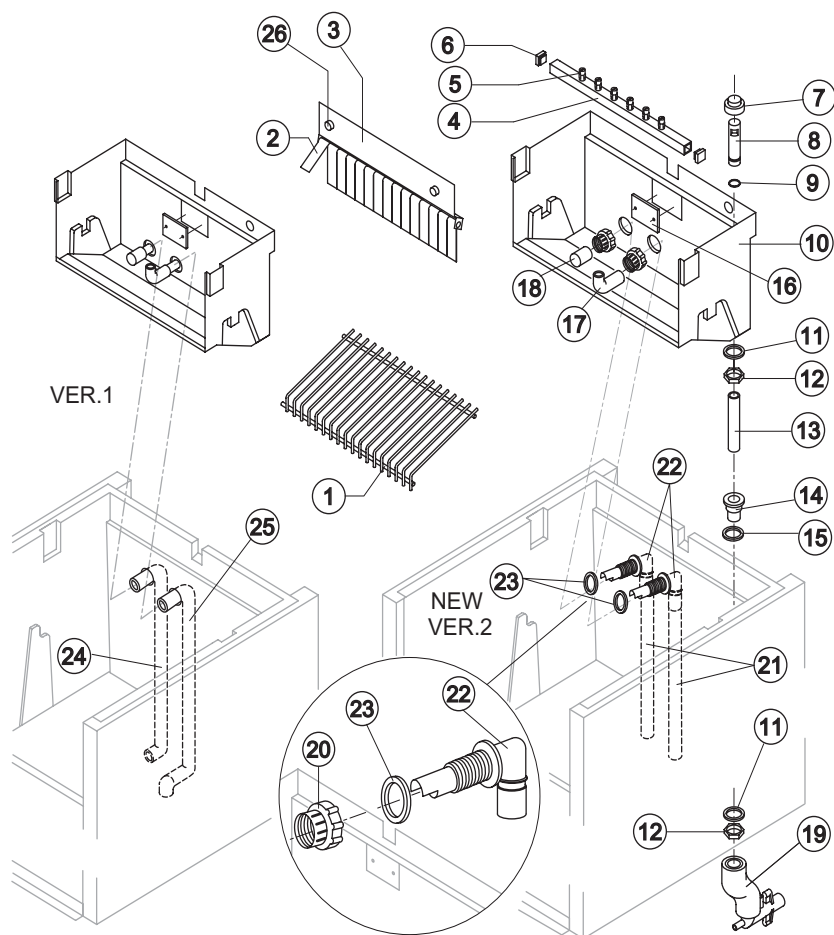
Tension	Code
220/240V 50 Hz	BRE1124012
220/230V 60 Hz	23091
110/115V 60 Hz	23256

(\*) Cod. 23436 till s/n. 104604



# CB 249

# HYDRAULIC CIRCUIT



Ref. 1 - Ices Cubes Slide

Kind of Cube	Code
18 g. (Standard)	D12001
33 g.	D12066
13 g.	D12046

Ref. 4 - Sprayers Bar Ass.

Kind of Cube	Code
18 g. (Standard)	C20028
33 g.	C20530
13 g.	C20289

### Common Parts

Ref.	Spare Description	Code
1	Ices Cube Slide	See Table -
2	Flag	BRE4114075
3	Flags Support Assy	BRE4114059
4	Sprayers Bar Assembly	See Table -
5	Spray jet	BRE3102007
6	Sprayers Bar Plug	BRE4114092
7	Overflow Cap	10305
8	Overflow Pipe	BRE3111040
9	Or Gasket for Overflow Pipe	20233
10	Inner Basin	10252
11	Semirigid Polyethylene gasket	13007
12	Bin Discharge Nut	10096
13	Overflow Pipe	Current Version 13106
13	Overflow pipe	Till s/n. 64915 13061
14	Plastic Nipple Water Outlet	10472
15	Silicone Gasket	13006
16	Slide Keep Plate	10009
17	Sprayers Feeding Pipe	BRE2108162
18	Pump Suction Filter	BRE3126064
20	Fittings Locking Ring	Version 2 10405
21	Pump Suction/Delivery Pipe	Version 2 13137
22	Fitting of the Pump Suction/Delivery Pipes	Version 2 10404
23	Gasket for Suction Line/Pump Delivery	Version 2 13143
24	Pump Suction Pipe	Version 1 BRE2108035
25	Pump Delivery Pipe	Version 1 13062
26	Fixing Screw	BRE1141007

### Parts for Air Cooled Version Only

Ref	Spare Description	Code
19	Discharges Manifold	C10006

### Parts for Water Cooled Version Only

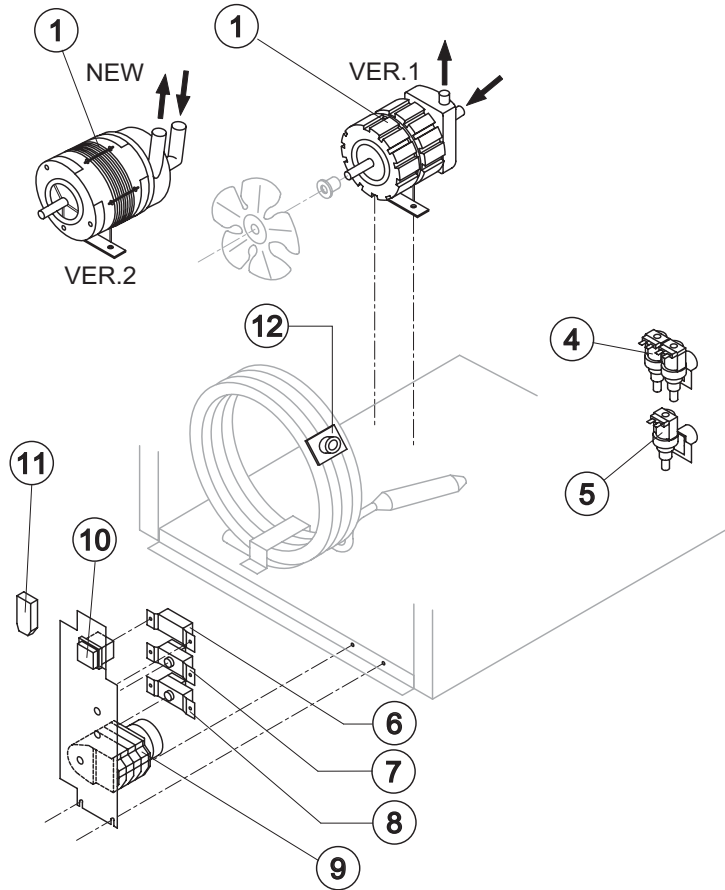
Ref	Spare Description	Code
19	Discharges Manifold	C26452

Rev. 5 - 20/07/2005



# CB 249

# ELECTRIC PARTS



### Common Parts

Ref.	Spare Description	Code
1	Pump	See Table
7	Bin Thermostat	<b>BRE1106003</b>
8	Evaporator Thermostat	<b>BRE1106002</b>
9	Timer	See Table
10	Green Light Switch	<b>BRE1105008</b>

### Parts for Air Cooled Version Only

Ref.	Spare Description	Code
5	Inlet Water Valve 1 Way	See Table

### Parts for Water Cooled Version Only

Ref.	Spare Description	Code
4	Inlet Water Valve 2 Ways	See Table
6	Condenser Pressure Switch	<b>BRE1113005</b>
11	Anti Radio Interference Filter	Only 220V 50 Hz C23457
12	Safety Thermostat	<b>BRE1106130</b>

### Ref. 1 - Pump

Tension	Version 1	Version 2
220/240V 50 Hz	<b>BRE1103002</b>	<b>BRE1103238</b>
220/230V 60 Hz	<b>BRE1103002</b>	<b>BRE1103238</b>
110/115V 60 Hz	23264	23663

### Ref. 4 - Inlet Water Valve 2 Ways

Tension	Code
220/240V 50 Hz	<b>BRE1124125</b>
220/230V 60 Hz	<b>BRE1124125</b>
110/115V 60 Hz	23592

### Ref. 5 - Inlet Water Valve 1 Way

Tension	Code
220/240V 50 Hz	<b>BRE1124183</b>
220/230V 60 Hz	<b>BRE1124183</b>
110/115V 60 Hz	23499

### Ref. 9 - Timer

Tensio	18 g Cube	33g Cube	13g Cube
220/240V 50 Hz	<b>BRE1112003</b>	<b>BRE1112118</b>	<b>BRE11120137</b>
220/230V 60 Hz	23248	23780	23247
110/115V 60 Hz	23259	23786	23258

Rev. 5 - 20/07/2005