

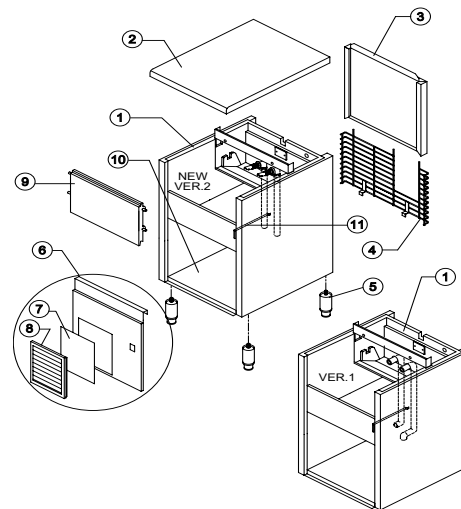


# CB 840

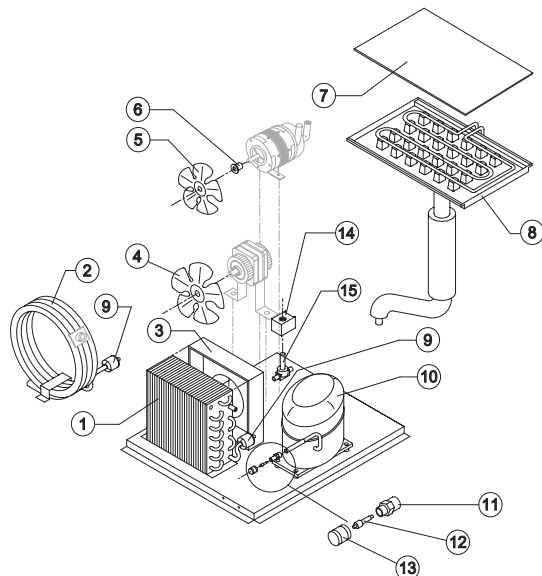
# LIST OF THE EXPLODED VIEWS



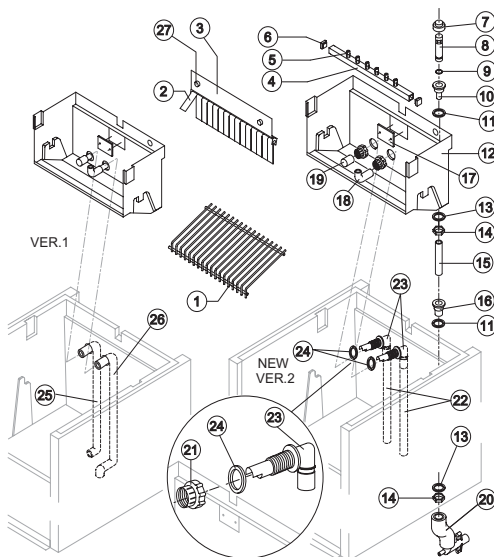
## SHELL ASSY



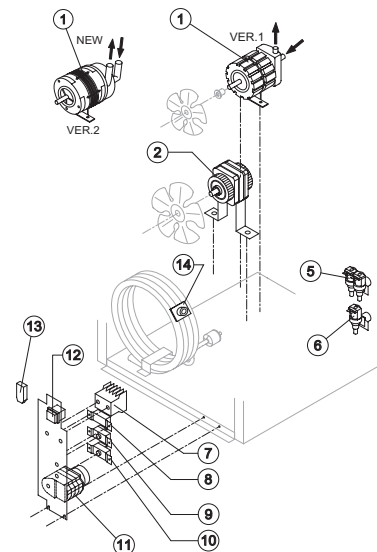
## COOLING SYSTEM



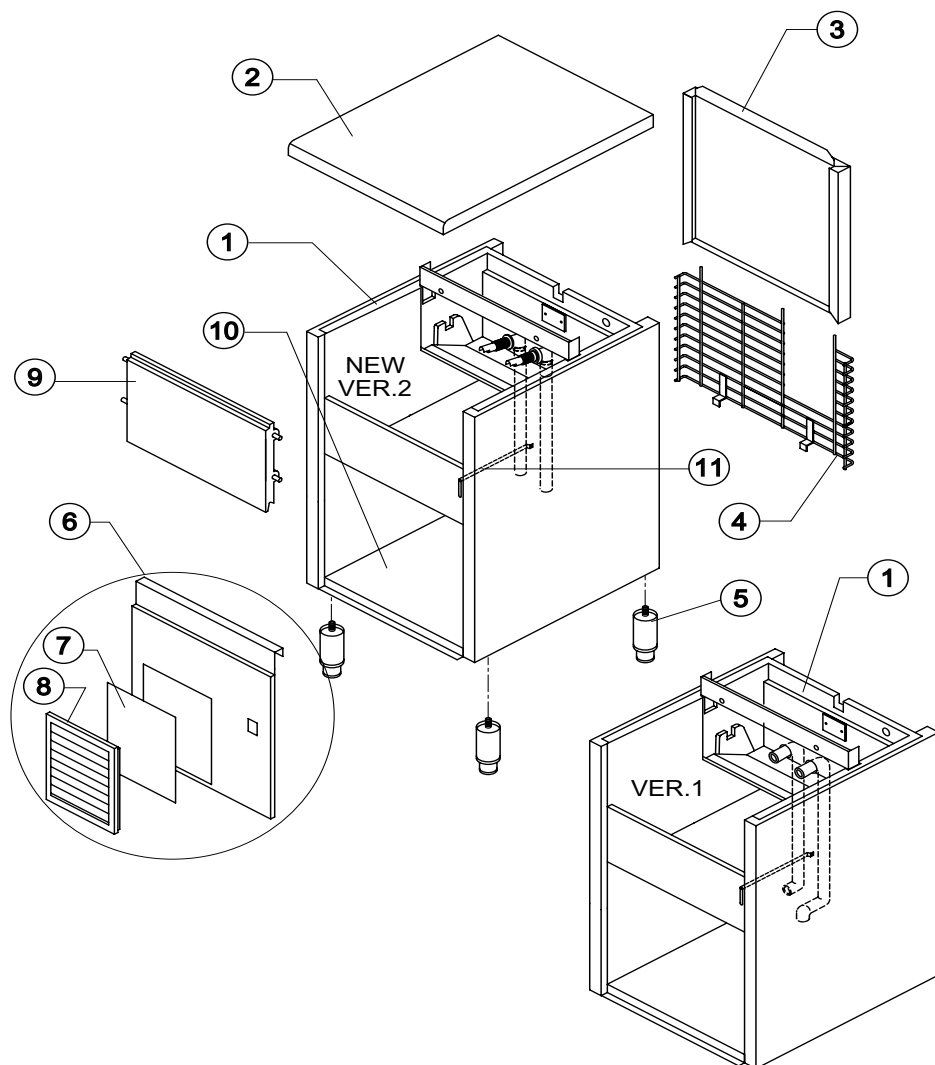
## HYDRAULIC CIRCUIT



## ELECTRIC PARTS



Rev. 5 - 20/07/2005



Rev. 5 - 20/07/2005

Ref.	Spare Description	Code
1	Foamed Cabinet Assy	See Table
2	Top Assembly	C22673
3	Back Panel Assembly	C21184
4	Rear Grid	D12015
5	Stainless Steel Foot Adjustable	Current Version
5	ABS Foot	Till s/n. 142209
6	Front Grid Panel	Current Version
6	Front Panel	Till s/n. 28697
7	Filtering Panel	18106
8	Frame with Grid & Filter	C10205
9	Door Assy	C10275
10	Base Plate	Current Version
10	Base Plate	Till s/n. 142209
11	Bulb Thermostat Tube	20520

Ref. 1 - Foamed Cabinet Assy  
Version 1

Kind of Cube	Code
18 g. (Standard)	C11009/E
33 g.	C11009/E
13 g.	C11009/ED

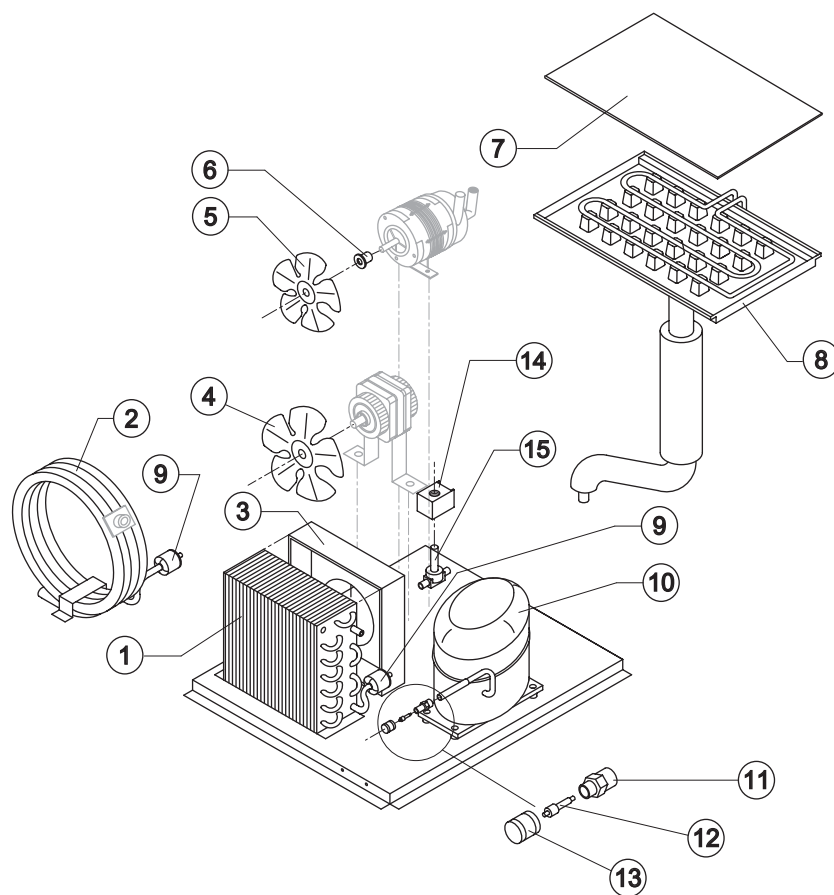
Ref. 1 - Foamed Cabinet Assy  
Version 2

Condensation	Code
Air	C11009A
Water	C11009W



# CB 840

# COOLING SYSTEM



### Common Parts

Ref.	Spare Description	Code
5	Suction Fan	10213
6	Hub for the Fan Fixing	10014
7	Evaporator Cover	Current Version 10448
7	Evaporator Cover	Till s/n. 224658 10039
8	Evaporator	See Table -
9	Solid Core Drier	14089
10	Compressor	See Table -
11	Vacuum-Charge Valve Body	14007
12	Vacuum-Charge Valve Device	14005
13	Vacuum-Charge Valve Plug	14006
14	Hot Gas Coil	See Table -
15	Hot Gas Valve Body	Current Version 20410
15	Hot Gas Valve Body	Till s/n. 27646 20409

### Parts for Air-Cooled Version Only

Ref.	Spare Description	Code
1	Air Condenser	Current Version 20264
1	Air Condenser	Till s/n. 27646 20030
3	Air Condenser Conveyor	Current Version 10163
3	Air Condenser Conveyor	Till s/n. 27646 10085
4	Suction Fan	20031

### Parts for Water-Cooled Version Only

Ref.	Spare Description	Code
2	Water Condenser	14034
4	Suction Fan	Till s/n. 221034 10213

### Ref. 8 - Evaporator

Kind of Cube	Code
18 g. (Standard)	D10047
33 g.	D10090
13 g.	D10418
42 g.	D10480

### Ref. 10 - Compressor

Tension	Code
220/240V 50 Hz	23503
220/230V 60 Hz	23506
110/115V 60 Hz	23552

### Ref. 14 - Hot Gas Coil

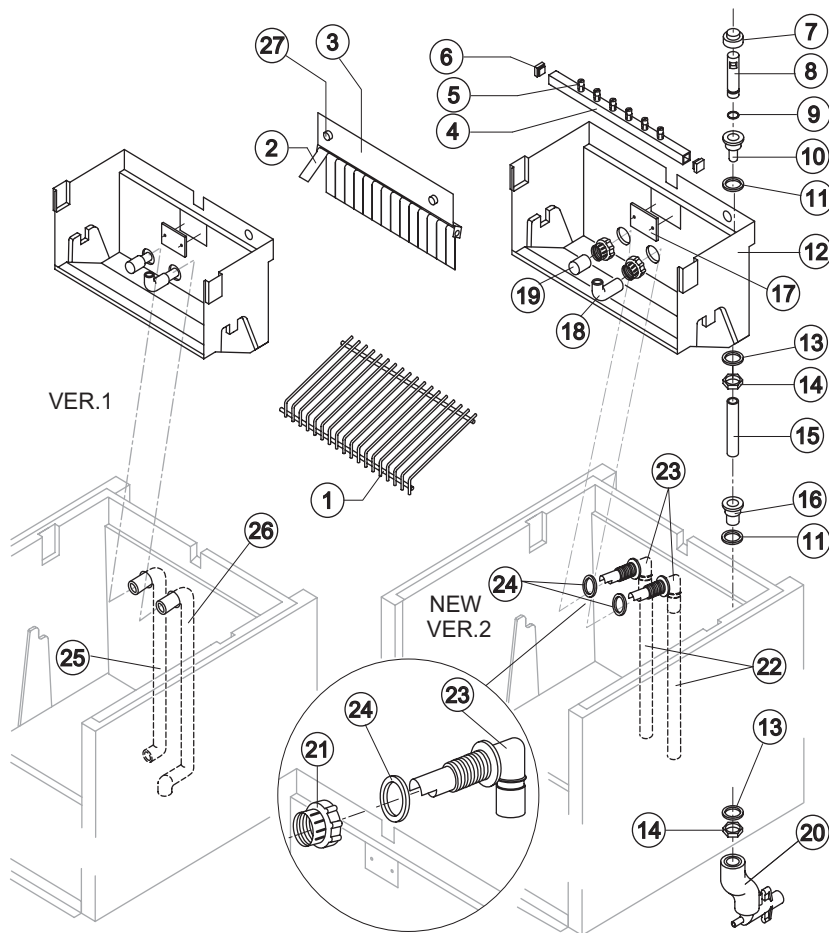
Tension	Code
220/240V 50 Hz	23091
220/230V 60 Hz	23091
110/115V 60 Hz	23256

Rev. 5 - 20/07/2005



# CB 840

# HYDRAULIC CIRCUIT



### Common Parts

Ref.	Spare Description	Code
1	Ice Cubes Slide	See Table
2	Flag	10005
3	Flags Support Assy	C22059
4	Sprayers Bar Assembly	See Table
5	Sprayer	D20002
6	Sprayers Bar Plug	10012
7	Overflow Cap	10305
8	Overflow Pipe	10133
9	OR Gasket for Overflow Pipe	20233
10	Overflow Pipe Nipple	10471
11	Silicone Gasket	13006
12	Inner Basin	10034
13	Semirigid Polyethylene Gasket	13007
14	Bin Discharge Nut	10096
15	Overflow Pipe	Current Version
15	Overflow Pipe	Till s/n. 62739
16	Plastic Nipple Water Outlet	10472
17	Slide Keep Plate	Till s/n. 227891
18	Sprayers Feeding Pipe	13005
19	Pump Suction Filter	20005
21	Fittings Locking Ring	Version 2
21	Fittings Locking Ring	10405
22	Pump Suction/Delivery Pipe	Version 2
22	Pump Suction/Delivery Pipe	13140
23	Fitting of the Pump Suction/Delivery Pipes	Version 2
23	Fitting of the Pump Suction/Delivery Pipes	10404
24	Gasket for Suction Line/Pump Delivery	Version 2
24	Gasket for Suction Line/Pump Delivery	13143
25	Pump Suction Pipe	Version 1
25	Pump Suction Pipe	13015
26	Pump Delivery Pipe	Version 1
26	Pump Delivery Pipe	13016
27	Fixing Screw	20009

### Ref. 1 - Ice Cube Slide

Kind of Cube	Code
18 g. (Standard)	D12017
33 g.	D12031
13 g.	D12039
42 g.	D12071

### Ref. 4 - Sprayers Bar Ass.

Kind of Cube	Code
18 g. (Standard)	C20058
33 g.	C20156
13 g.	C20190
42 g.	C20802

### Parts for Air Cooled Version Only

Ref.	Spare Description	Code
20	Discharges Manifold	C10006

### Parts for Water Cooled Version Only

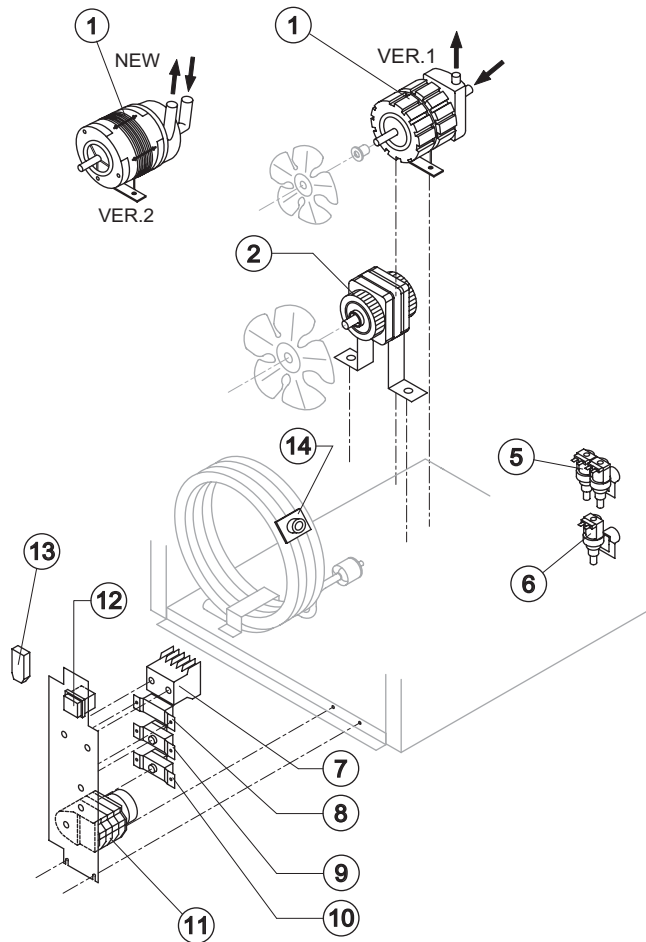
Ref.	Spare Description	Code
20	Discharges Manifold	C26452

Rev. 5 - 20/07/2005



# CB 840

# ELECTRIC PARTS



### Common Parts

Ref.	Spare Description	Code
1	Pump	See Table -
2	Fan Motor	See Table -
7	Contactor	Only 110V 60 Hz 23595
8	Condenser Pressure Switch	23175
9	Bin Thermostat	R23005
10	Evaporator Thermostat	R23591
11	Timer	See Table -
12	Green Light Switch	23327

### Parts for Air-Cooled Version Only

Ref.	Spare Description	Code
6	Inlet Watervale 1 Way	See Table -
13	Anti Radio Interference Filter	Only 220V 50 Hz C23459

### Parts for Water-Cooled Version Only

Ref.	Spare Description	Code
5	Inlet Watervale 2 Ways	See Table -
13	Anti Radio Interference Filter	Only 220V 50 Hz C23457
14	Safety Thermostat	C23114

### Ref. 1 - Pump

Tension	Version 1	Version 2
220/240V 50 Hz	23002	23377
220/230V 60 Hz	23002	23377
110/115V 60 Hz	23264	23663

### Ref. 2 - Fan Motor

Tension	Air	Water Till s/n. 221034
220/240V 50 Hz	23067	23029
220/230V 60 Hz	23681	23029
110/115V 60 Hz	23621	23683

### Ref. 5 - Inlet Watervale 2 Ways

Tension	18g/13g Cube	33g Cube	42g Cube
220/240V 50 Hz	23010	23010	23781
220/230V 60 Hz	23010	23781	23781
110/115V 60 Hz	23261	23758	23758

### Ref. 6 - Inlet Watervale 1

Tension	18g/13g Cube	33g Cube	42g Cube
220/240V 50 Hz	23001	23001	23108
220/230V 60 Hz	23001	23108	23108
110/115V 60 Hz	23260	23281	23281

### Ref. 11 - Timer

Tension	18 g Cube	33 g Cube	13 g Cube	42 g Cube
220/240V 50 Hz	23222	23248	23247	23780
220/230V 60 Hz	23248	23780	23247	23780
110/115V 60 Hz	23259	23786	23258	23786

Rev. 5 - 20/07/2005