

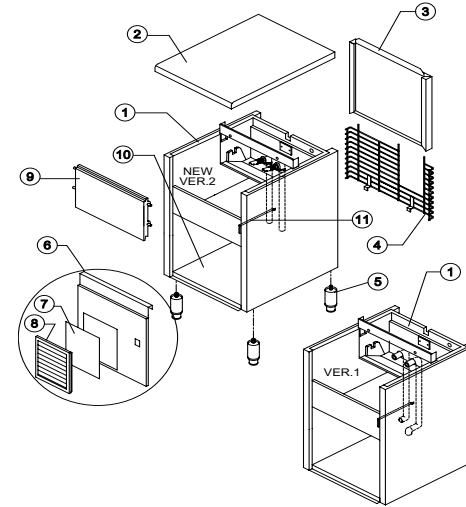


CB 955

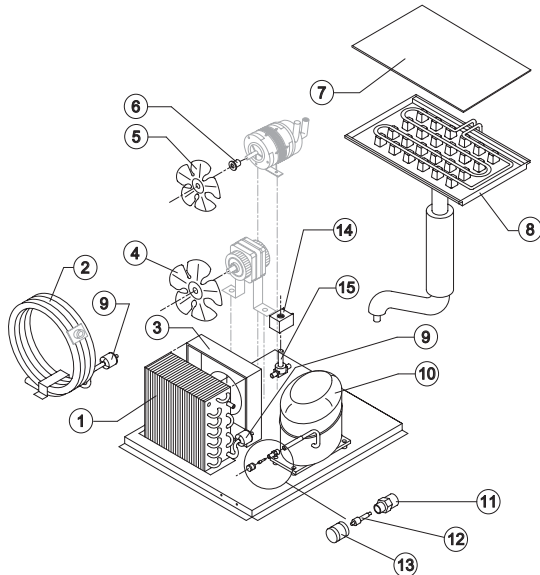
LIST OF THE EXPLODED VIEWS



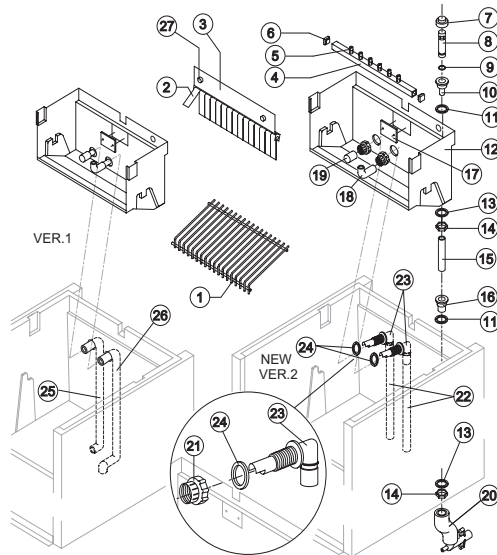
SHELL ASSY



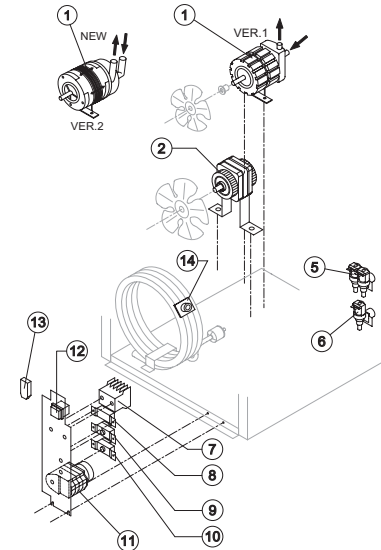
COOLING SYSTEM



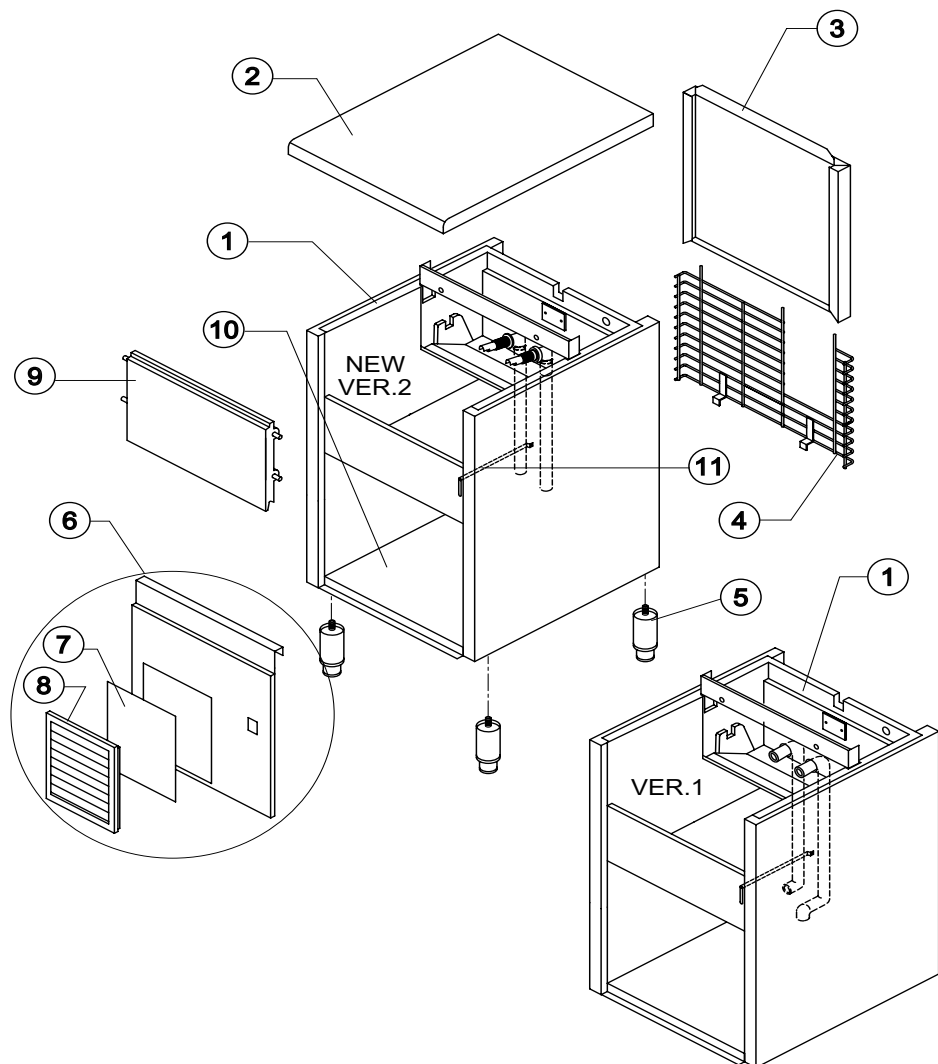
HYDRAULIC CIRCUIT



ELECTRIC PARTS



Rev. 5 - 21/07/2005



Rev. 5 - 21/07/2005

Ref.	Spare Description	Code
1	Foamed Cabinet Assy	See Table
2	Top Assy	C22673
3	Back Panel Assembly	C21185
4	Rear Grid	D12015
5	Stainless Steel Foot Adjustable	Current Version
5	ABS Foot	Fino a Matr. 142209
6	Front Grid Panel	Current Version
6	Front Panel	Till s/n. 29519
7	Filtering Panel	18106
8	Frame with Grid & Filter	C10205
9	Door Assy	C10275
10	Base Plate	Current Version
10	Base Plate	Till s/n. 142209
11	BulbThermostat Pipe	20520

Ref. 1 - Foamed Cabinet Assy
Version 1

Kind of Cube	Code
18 g. (Standard)	C11040/E
33 g.	C11040/E
13 g.	C11040/ED

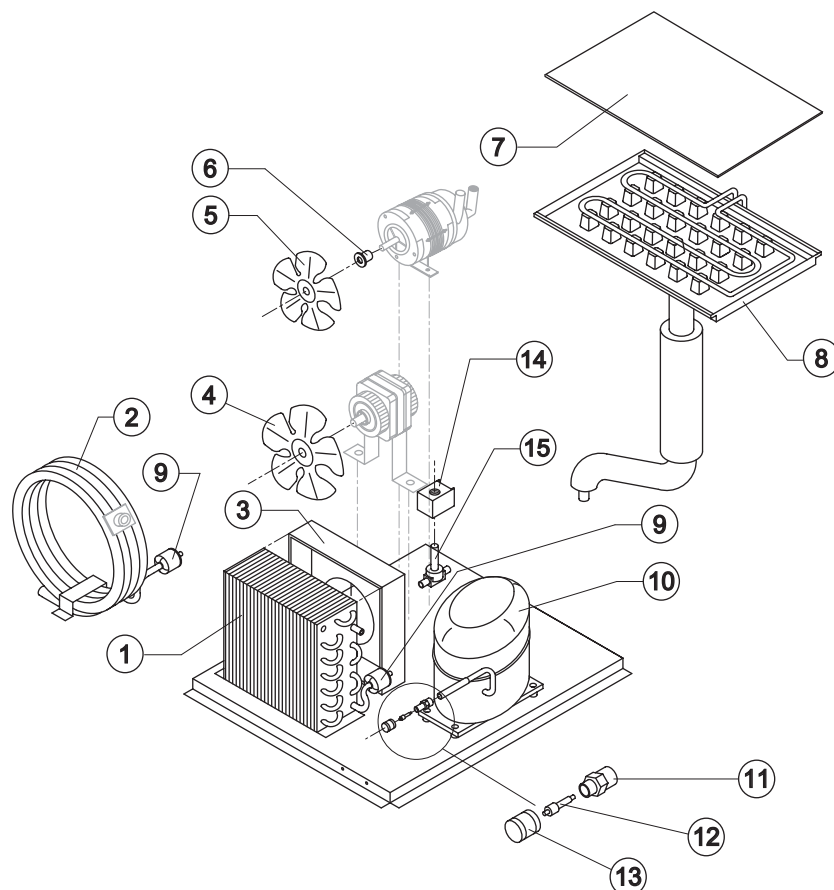
Ref. 1 - Foamed Cabinet Assy
Version 2

Condensation	Code
Air	C11040A
Water	C11040W



CB 955

COOLING SYSTEM



Common Parts

Ref.	Spare Description	Code
5	Suction Fan	10213
6	Hub for the Fan Fixing	10014
7	Evaporator Cover	Current Version 10448
7	Evaporator Cover	Till s/n. 225237 10039
8	Evaporator	See Table -
9	Solid Core Drier	14089
10	Compressor	See Table -
11	Vacuum Charge Valve Body	14007
12	Vacuum Charge Valve Device	14005
13	Vacuum Charge Valve Plug	14006
14	Hot Gas Coil	See Table -
15	Hot Gas Valve Body	Current Version 20410
15	Hot Gas valve Body	Till s/n. 27646 20409

Parts for Air-Cooled Version Only

Ref.	Spare Description	Code
1	Air Condenser	Current Version 20264
1	Air Condenser	Till s/n 27646 20030
3	Air Condenser Conveyor	Current Version 10163
3	Air Condenser Conveyor	Till s/n 27646 10085
4	Suction Fan	20031

Parts for Water-Cooled Version Only

Ref.	Spare Description	Code
2	Water Condenser	14081
4	Suction Fan	Till s/n. 219659 10213

Ref. 2 - Water Condenser

Tension	Code	Note
220/240V 50 Hz	14081	Current Version
220/240V 50 Hz	14034	Till s/n. 245059
220/230V 60 Hz	14081	Current Version
220/230V 60 Hz	14034	Till s/n. 244256
110/115 V 60 Hz	14081	Current Version
110/115 V 60 Hz	14034	Till s/n. 244256

Ref. 8 - Evaporator

Kind of Cube	Code
18 g. (Standard)	D10047
33 g.	D10090
13 g.	D10418
42 g.	D10480

Ref. 10 - Compressor

Tension	Code
220/240V 50 Hz	23444
220/230V 60 Hz	23504
110/115V 60 Hz	23553

Ref. 14 - Hot Gas Coil

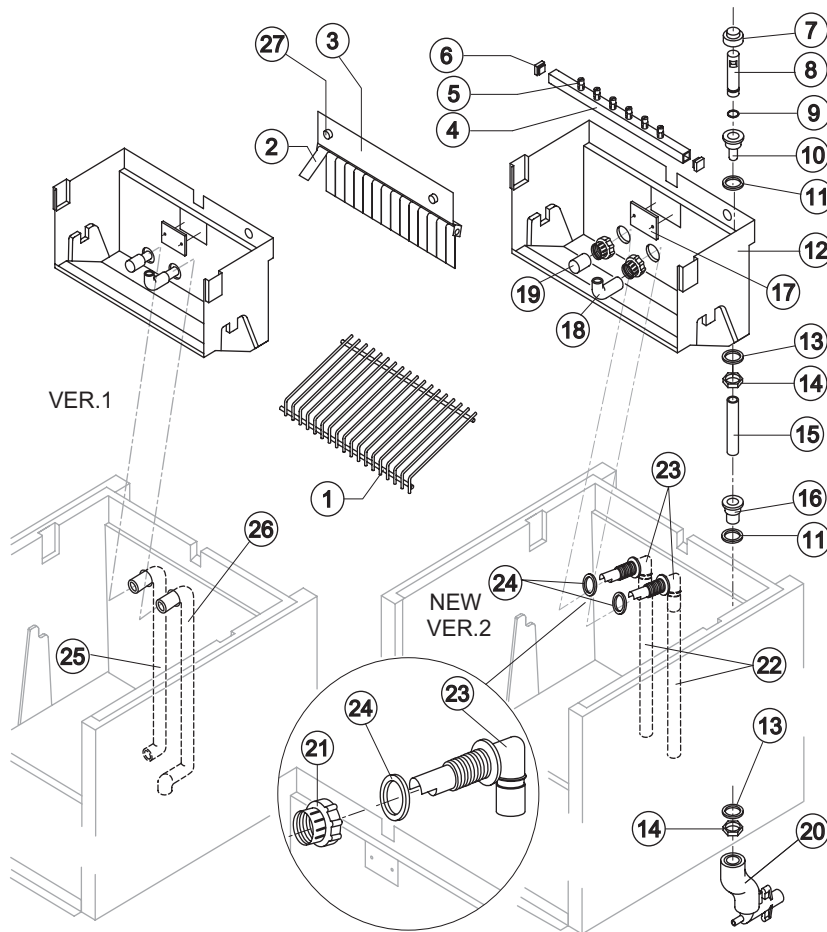
Tension	Code
220/240V 50 Hz	23091
220/230V 60 Hz	23091
110/115V 60 Hz	23256

Rev. 5 - 21/07/2005



CB 955

HYDRAULIC CIRCUIT



Common Parts

Ref.	Spare Description	Code
1	Ice Cubes Slide	See Table
2	Flag	10005
3	Flags Support Assy	C22059
4	Sprayers Bar Assembly	See Table
5	Sprayer	D20002
6	Sprayers Bar Plug	10012
7	Overflow Cap	10305
8	Overflow Pipe	10133
9	OR Gasket for Overflow Pipe	20233
10	Overflow Pipe Nipple	10471
11	Silicone Gasket	13006
12	Inner Basin	10034
13	Semirigid Polyethylene Gasket	13007
14	Bin Discharge Nut	10096
15	Overflow Pipe	Current Version
15	Overflow Pipe	Till s/n 62553
16	Plastic Nipple Water Outlet	10472
17	Slide Keep Plate	Till s/n. 227937
18	Sprayers Feeding Pipe	13005
19	Pump Suction Filter	20005
21	Fittings Locking Ring	Version 2
21	Fittings Locking Ring	10405
22	Pump Suction/Delivery Pipe	Version 2
22	Pump Suction/Delivery Pipe	13141
23	Fitting of the Pump Suction/Delivery Pipes	Version 2
23	Fitting of the Pump Suction/Delivery Pipes	10404
24	Gasket for Suction Line/Pump Delivery	Version 2
24	Gasket for Suction Line/Pump Delivery	13143
25	Pump Suction Pipe	Version 1
25	Pump Suction Pipe	13059
26	Pump Delivery Pipe	Version 1
26	Pump Delivery Pipe	13058
27	Fixing Screw	20009

Ref. 1 - Ice Cube Slide

Kind of Cube	Code
18 g. (Standard)	D12017
33 g.	D12031
13 g.	D12039
42 g.	D12071

Ref. 4 - Sprayers Bar Ass.

Kind of Cube	Code
18 g. (Standard)	C20058
33 g.	C20156
13 g.	C20190
42 g.	C20802

Parts for Air Cooled Version Only

Ref.	Spare Description	Code
20	Discharges Manifold	C10006

Parts for Water Cooled Version Only

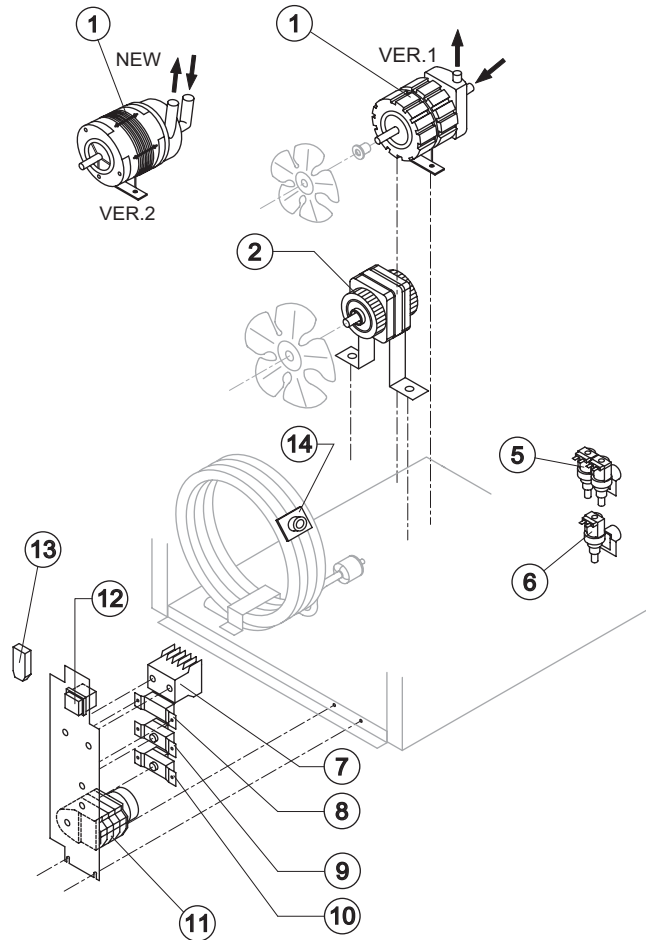
Ref.	Spare Description	Code
20	Discharges Manifold	C26452

Rev. 5 - 21/07/2005



CB 955

ELECTRIC PARTS



Common Parts

Ref.	Spare Description	Code
1	Pump	See Table -
2	Fan Motor	See Table -
7	Contactor	Only 110V 60 Hz 23595
8	Condenser Pressure Switch	23175
9	Bin Thermostat	R23005
10	Evaporator Thermostat	R23591
11	Timer	See Table -
12	Green Light Switch	23327

Parts for Air-Cooled Version Only

Ref.	Spare Description	Codice
6	Inlet Watervale 1 Way	See Table -
13	Anti Radio Interference Filter	Only 220V 50 Hz C23459

Parts for Water-Cooled Version Only

Ref.	Spare Description	Codice
5	Inlet Watervale 2 Ways	See Table -
13	Anti Radio Interference Filter	Only 220V 50 Hz C23457
14	Safety Thermostat	C23114

Ref. 1 - Pump

Tension	Version 1	Version 2
220/240V 50 Hz	23002	23377
220/230V 60 Hz	23002	23377
110/115V 60 Hz	23264	23663

Ref. 2 - Fan Motor

Tension	Air	Water Till s/n. 219659
220/240V 50 Hz	23067	23029
220/230V 60 Hz	23681	23029
110/115V 60 Hz	23621	23683

Ref. 5 - Inlet Watervale 2 Ways

Tension	18g/13g Cube	33g Cube	42g Cube
220/240V 50 Hz	23010	23010	23781
220/230V 60 Hz	23010	23781	23781
110/115V 60 Hz	23261	23758	23758

Ref. 6 - Inlet Watervale 1

Tension	18g/13g Cube	33g Cube	42g Cube
220/240V 50 Hz	23001	23001	23108
220/230V 60 Hz	23001	23108	23108
110/115V 60 Hz	23260	23281	23281

Ref. 11 - Timer

Tension	18 g Cube	33 g Cube	13 g Cube	42 g Cube
220/240V 50 Hz	23222	23248	23247	23780
220/230V 60 Hz	23248	23780	23247	23780
110/115V 60 Hz	23259	23786	23258	23786

Rev. 5 - 21/07/2005