

Ice Machines UK Ltd

Unit 10, LDL Business Centre, Station Road West, Ash Vale, Surrey, GU12 5RT.

Tel: 01252 511611 Fax: 01252 511666

www.icemachines.co.uk e-mail: info@icemachines.co.uk

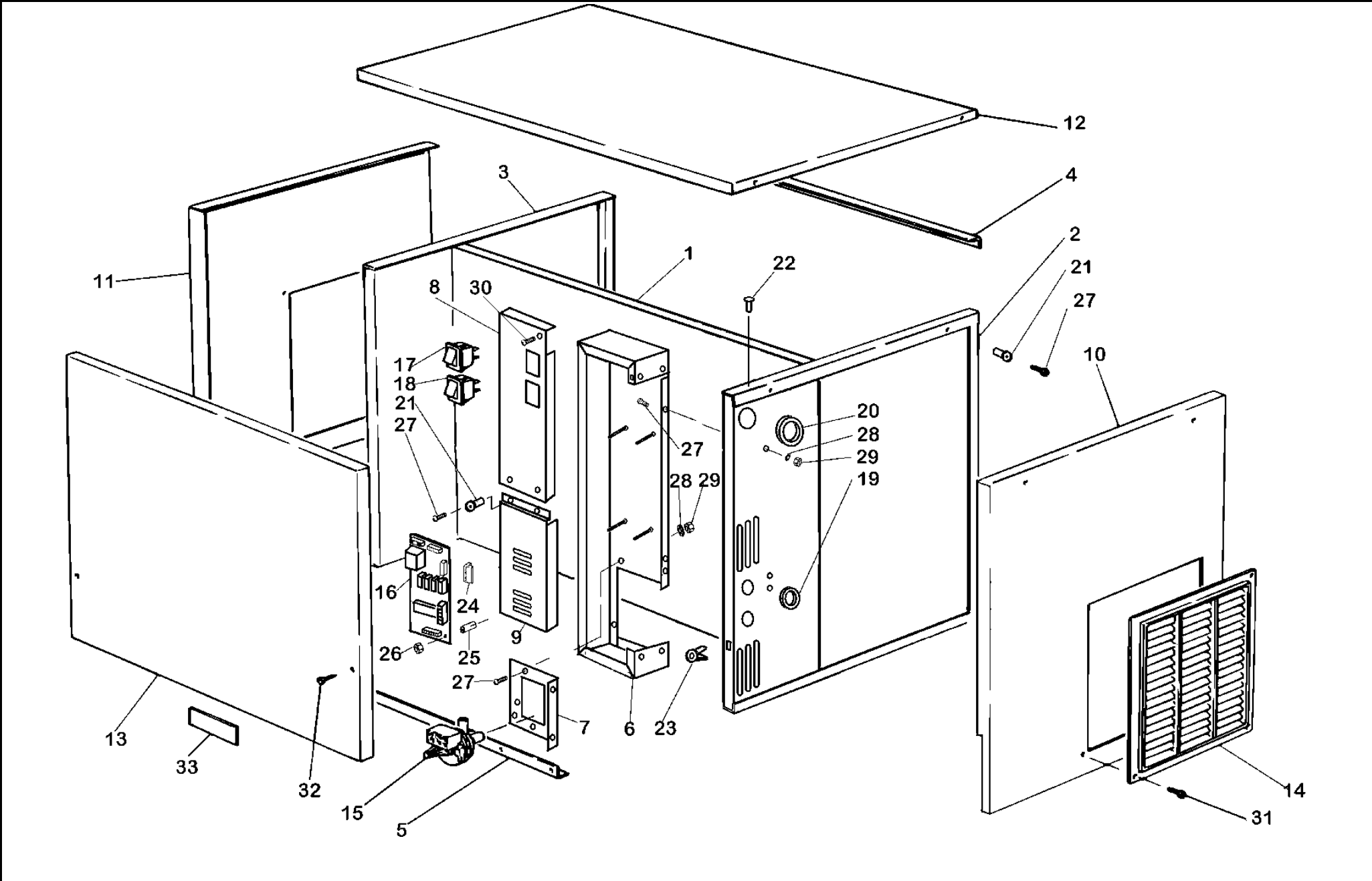


CP215V – CP315V

Spare Parts Code		Spare Parts Code	
CP215V	xxx915	CP315V	xxx932
	xxx916		xxx933
	xxx917		xxx934
	xxx918		xxx935
	xxx919		xxx936
	xxx91A		xxx937
	xxx91B		xxx938
	xxx91C		

modello costruttivo **SV2**
model type

dal 1997 ad Agosto 1999
from 1997 up to August 1999

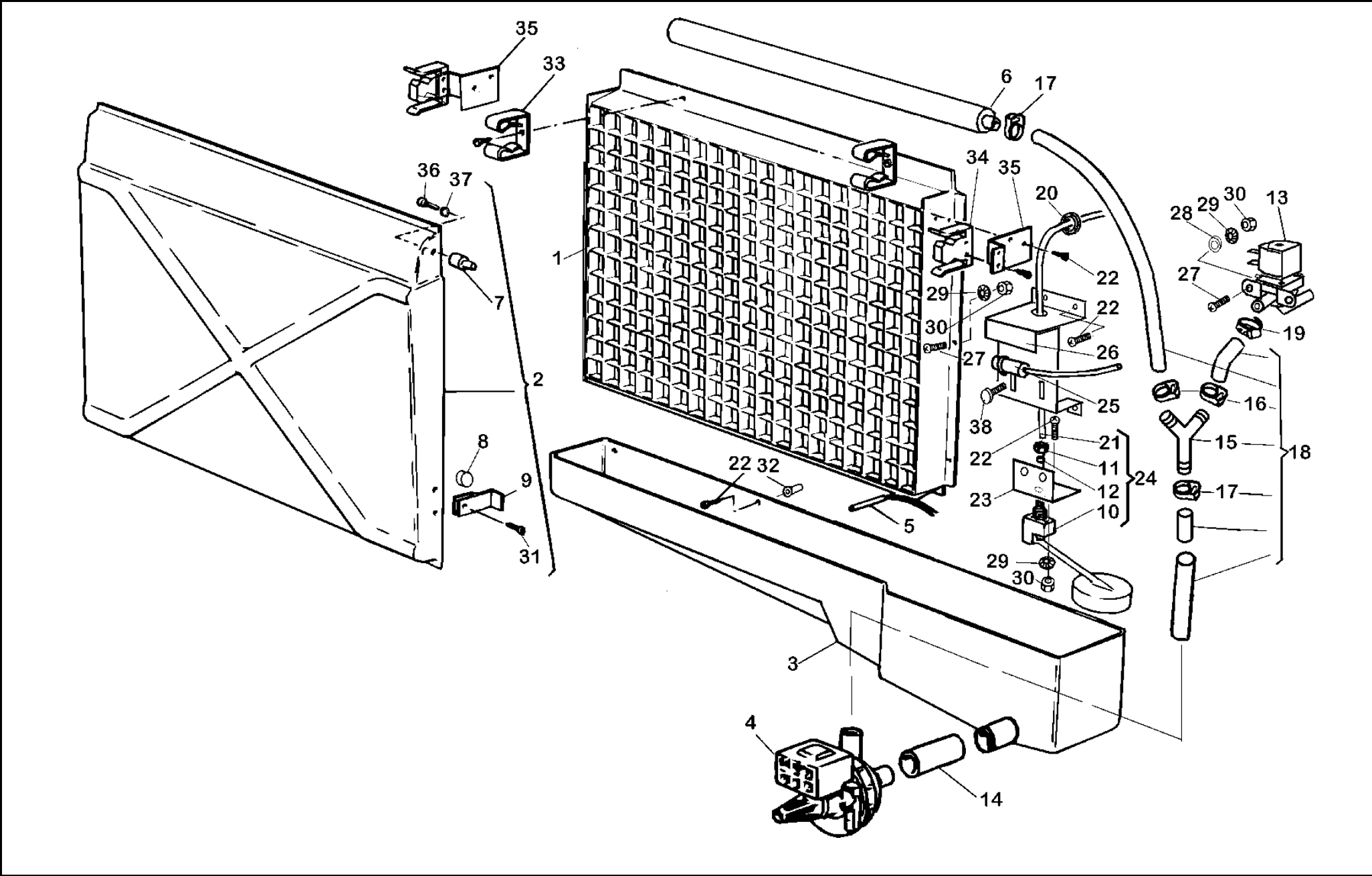


CP 215V E – CP 315V Z - SV2 series

n.		codice	descrizione	description
1		3537	Parete interna portaevaporatore 215V – SV2	Internal panel - evaporator support 215V – SV2
2		3534	Coppia cornici telaio 215V SV2	Left & right frame 215V SV2
3				
4		3536	Traversa posteriore telaio 215V SV2	Rear cross beam 215V frame SV2
5		3535	Traversa anteriore telaio 215 V	Front cross beam 215V frame
6		3365	Scatola porta scheda SV2	Electronic board box SV2
7		3370	Supporto pompa tipo V	Pump bracket V type
8		3366	Copertura superiore box-scheda SV2	Board-box top cover SV2
9		3367	Copertura inferiore box-scheda	Board-box bottom cover
10		3527	Fianco destro 215V SV2	Right side panel 215V SV2
11		3526	Fianco sinistro 215V SV2	Left side panel 215V SV2
12		3528	Top 215V SV2	Top panel 215V SV2
13		4227	Frontale isolato 215V	Insulated front panel 215V
14		2043	Aeratore laterale grigio	Lateral gray aerator
15		2380	Pompa elettromagnetica	Water pump
16		6027B	Scheda elettronica FAG V1.2 4R	Electronic board FAG V1.2 4R
17		1075	Interruttore deviatore I-0-II	Toggle switch I-0-II
18		1050	Interruttore a pulsante	Push botton switch
19		0882	Passafilo piccolo M17	Wire router M17

tavola 1- view 1

n.		codice	descrizione	description
20		3387	Passafilo grande P36	Wire router P36
21		0100	Tuptara M4	4 MA screwed insert
22		1771	Rivetto briv 4x,9	Briv rivet 4x5,9
23		3424	Madrevite plastica grande	Screw grommet large
24		6031	Connettore per scheda	Connector for board
25		3425	Distanziale scheda	El.board spacer
26		0219	Dado 3 MA	3 MA nut
27		1509	Vite inox 4 MA x 8	4 MA x 8 TC st.steel screw
28		3645	Rondella dentellata inox d.4	St.Steel tab washer d.4
29		0091	Dado inox M4	St.steel nut d.4
30		0087	Vite inox 3,5x9 TC	St.steel 3,5x9 TC screw
31		0092	Vite 3,5x9 TP	3,5x9 TP screw
32		0089	Vite nichelata 4x32 TGS	4x32 TGS nickel plated screw
33		2117	Targhetta *COMPACT*	* COMPACT * label

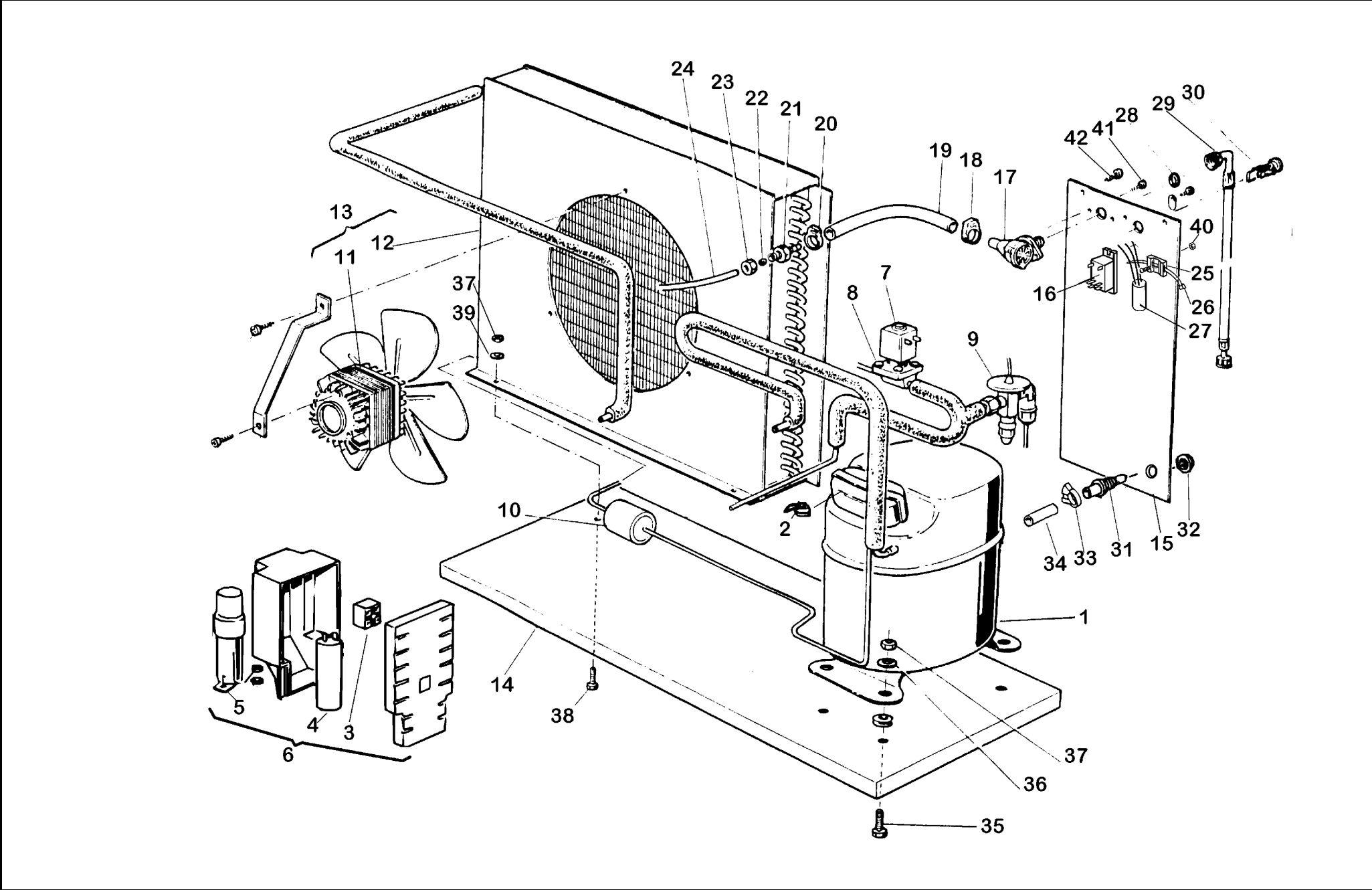


CP 215V E – CP 315V Z - SV2 series

n.		codice	descrizione	Description
1	FC	4611	Evaporatore FC 215V cubo grande SV	FC 215V evaporator full cube SV
	MC	4610	Evaporatore MC 215V cubo piccolo SV	MC 215V evaporator mini cube SV
2		4221B	Paraspruzzi completo 215V SV2	Water curtain complete assy. 215V SV2
3		3309	Vaschetta acqua 215V	Water sump 215V
4		2380	Pompa elettromagnetica	Water pump
5		4063	Sonda evaporatore SV	Evaporator thermistor SV
6		4055	Tubo distributore acqua 215V SV	Water distributor set 215V SV
7		2292	Perno paraspruzzi	Pin for water curtain
8		6026	Magnete plastoferrite	Magnetic target
9		3542	Arresto paraspruzzi	Water curtain stop
10		2291	Valvola galleggiante	Float valve
11		0609	Dado bicono	Nut for biconical fitting
12		0608	Bicono d.6	Biconical fitting d.6
13		4768	Valvola scarico 320	Dump Solenoid valve 320
14		4351	Tubo aspirazione pompa MII	Pump-in hose MII
15		0841	Raccordo a Y	Y joint
16		0783	Fascetta H	H type clamp
17		2408	Fascetta K	K type clamp
18		4350	Assieme tubi mandata 215V	Pump-out hose assembly 215V
19		4770	Fascetta inox 14x24	14x24 st.steel hose clamp
20		0882	Passafilo M17	Wire router M17

tavola 2- view 2

n.		codice	descrizione	description
21		0740	Tubo rilsan d.6	Rilsan water tube d.6
22		1509	Vite inox 4 MA x 8 TC	4 MA x 8 TC st.steel screw
23		3544	Supporto galleggiante	Float valve support
24		4222	Gruppo galleggiante 215V SV2	Float valve assembly 215V SV2
25		6025	Interruttore prossimit� magnetico	Magnetic proximity switch
26		3539	Supporto interruttore prossimit�	Proximity switch support
27		0787	Vite 4MAx12 TC	4MAx12 TC st.steel screw
28		2309	Rondella plastica	Plastics washer
29		3645	Rondella dentellata inox d.4	D.4 st.steel tab washer
30		0091	Dado 4 MA	4 MA nut
31		0268	Rivetto inox 3x7	3x7 St. steel rivet
32		0100	Tuptara M4	Screwed rivet M4
33		4054	Clip boccatubo distributore	Distributor tube clip
34		2293	Aggancio per paraspruzzi	Water curtain support
35		3545	Coppia supporti inox	Pair of stainless steel supports
36		3549	Vite inox 3,5x16 TC	St.steel screw 3,5x16 TC
37		3550	Rondella piana inox d.4	St. steel washer d.4
38		0080	Vite zigrinata nichelata	Knurled head screw



CP 215V E – CP 315V Z - SV2 series

n.		codice	descrizione	Description
1	215	3120	Compressore CAJ4511 Y	CAJ 4511Y compressor
2	215	4300/3120	Klixon comp. CAJ4511 Y	CAJ4511 Y overlay protector
3	215	4301/3120	Relais comp. CAJ4511 Y	CAJ4511 Y relay
4	215	4302/3120	Condensatore avv. CAJ4511Y	CAJ4511 Y starting capacitor
5	215	4303/3120	Condensat. marcia CAJ4511Y	CAJ4511 Y run capacitor
6	215	4304/3120	Scatola el. comp. CAJ4511Y	Compressor electric box
1	315	3354	Compressore CAJ4519 Z	CAJ4519 Z compressor
2	315	4300/3354	Klixon comp. CAJ4519 Z	CAJ4519 Z overlay protector
3	315	4301/3354	Relais comp. CAJ4519 Z	CAJ4519 Z relay
4	315	4302/3354	Condensatore avv. CAJ4519 Z	CAJ4519 Z starting capacitor
5	315	4303/3354	Condensat. marcia CAJ4519 Z	CAJ4519 Z run capacitor
6	315	4304/3354	Scatola el. comp. CAJ4519 Z	Compressor electric box
7		2658	Bobina valvola gas	Coil for defrost valve
8		3122	Corpo valvola gas d.6	Defrost sol. Valve d.6 - body only
9	215	3123	Valvola espansione R134a a saldare	Expansion valve R134a solder type
9	315	3355	Valvola espansione R404a a saldare	Expansion valve R404a solder type
10		3121	Filtro 32g	Filter drier 32g
11	215	3134	Ventilatore completo 215V	Fan motor complete 215V
12	215	4352	Condensa aria 215V	Air cooled condenser 215V
13	215	3127	Condensa +ventilatore+plenum 215V	Condenser+fan motor+plenum 215V
11	315	3371FAN	Ventilatore completo 315V	Fan motor complete 315V
12	315	4353	Condensa aria 315V	Air cooled condenser 315V
13	315	3371	Condensa +ventilatore+plenum 315V	Condenser+fan motor+plenum 315V
14		3540	Basamento 215V SV2	Base plate 215V SV2
15		3530	Schienale 215V SV2	Rear panel 215V SV2
16		1074	Relay di potenza	Power relay
17		2481	Valvola RPE	Water inlet RPE

n.		codice	descrizione	description
18		4770	Fascetta inox 14x24	14x24 st-steel clamp
19		0831	Tubo valvola acqua	Water valve tube
20		4770	Fascetta inox 14x24	14x24 st-steel clamp
21		1197	Bocchettone 1/8" + portagomma	Fitting 1/8"
22		0609	Dado bicono	Nut for biconical fitting
23		0608	Bicono d.6	Biconical fitting d.6
24		0740	Tubo rilsan d.6	Rilsan water tube d.6
25		3426	Supporto filtro	Filter support
26		0863	Fascetta cinturino	Wire tie
27		3428L	Filtro antisturbi	EM disturbances filter
28		0782	Guarnizione tubo carico	Gasket for supply tube
29		0781	Tubo carico acqua	Water supply tube
30		0984	Bloccacavo	Cable entry & terminal block
31		3349	Bocchettone d.20 scarico	Drain d.20 joint
32		2302	Ghiera d.20	D.20 nut
33		0783	Fascetta H	Hose clamp H
34		3433	Tubo scarico	Drain hose
35		0533	Vite 6 MA x40 TE	6 MA x 40 TE screw
36		0541	Rondella 6 x 24	6 x 24 washer
37		0534	Dado 6 MA	6 MA nut
38		0536	Vite 6 MA x 10 TE	6 MA x 10 TE screw
39		0535	Rondella dentellata d.6	Tab washer d.6
40		0091	Dado inox 4MA	St.steel nut d.4
41		1509	Vite inox 4MA x8 TC	4MA x 8 TC st.steel screw
42		0088	Vite 3,5x9 TC	3,5x9 TC screw

215 Solamente CP215V E

CP215V E only

315 Solamente CP315V Z

CP315V Z only