

Ice-O-Matic[®]

**SERVICE PARTS MANUAL
22 INCH WIDE ICE SERIES CUBERS
MODEL-ICE0320A3/W3 and ICE0520A3/W3
Includes 50Hz. Units**



**Ice-O-Matic
11100 East 45th Ave
Denver, Colorado 80239
Part Number 9081356-01**

Date 1/09

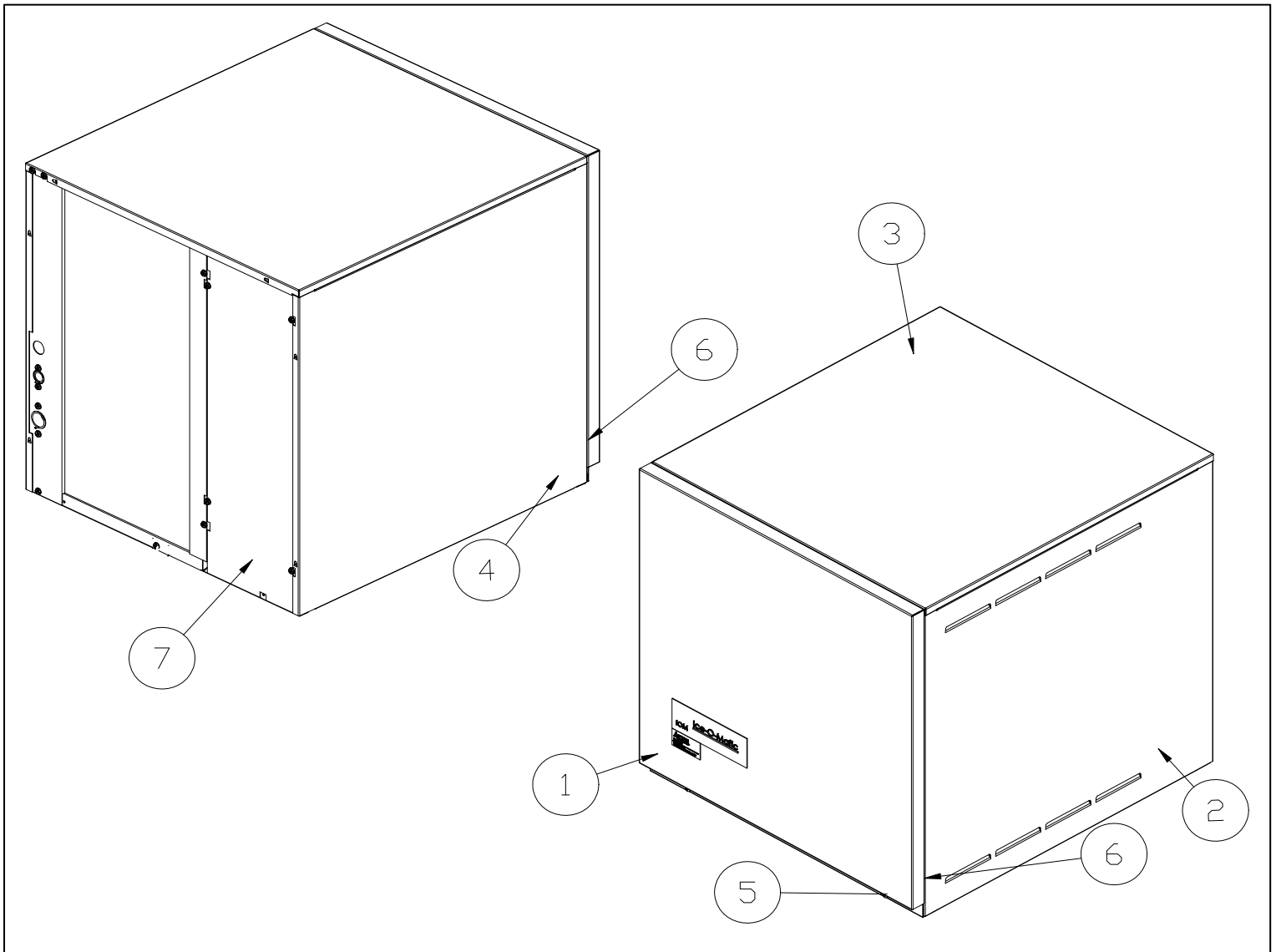
This parts list contains the service parts available for the ICE0320A3/W3 and ICE0520A3/W3 icemakers.

Check the model number on the data plate and refer to the correct listing for the specific component.

Check carefully that the correct part is identified and ordered.

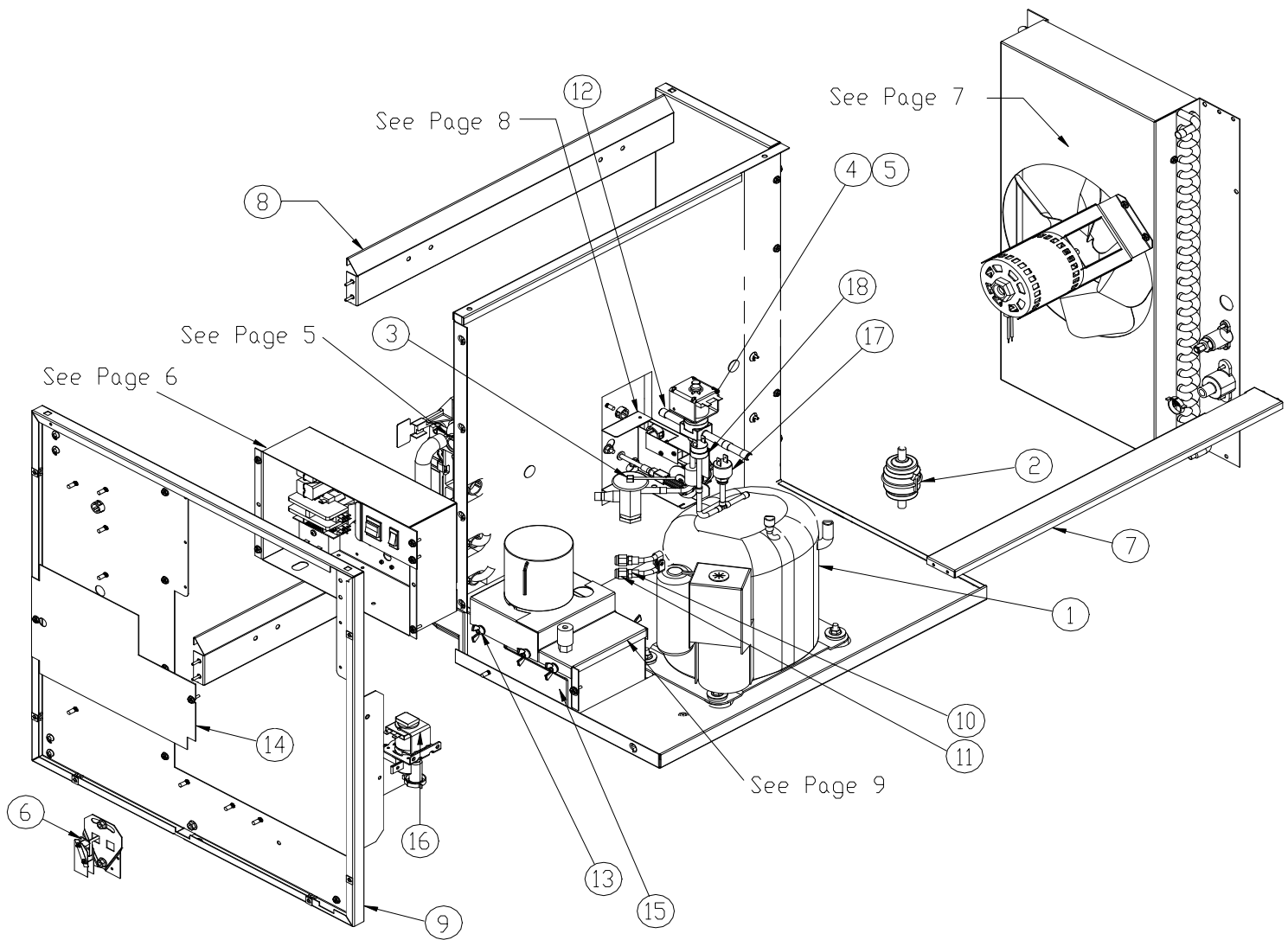
Table of Contents	Page 1
Cabinet Exterior	Page 2
ICE0320/ICE0520 Air Cooled	Page 3
ICE0320/ICE0520 Water Cooled	Page 4
Evaporator	Page 5
Control Box	Page 6
Fan Assemblies	Page 7
Harvest Assist Components	Page 8
Water Pump/Float	Page 9

Ice-O-Matic
11100 East 45th Ave.
Denver Co. 80239
800-423-3367

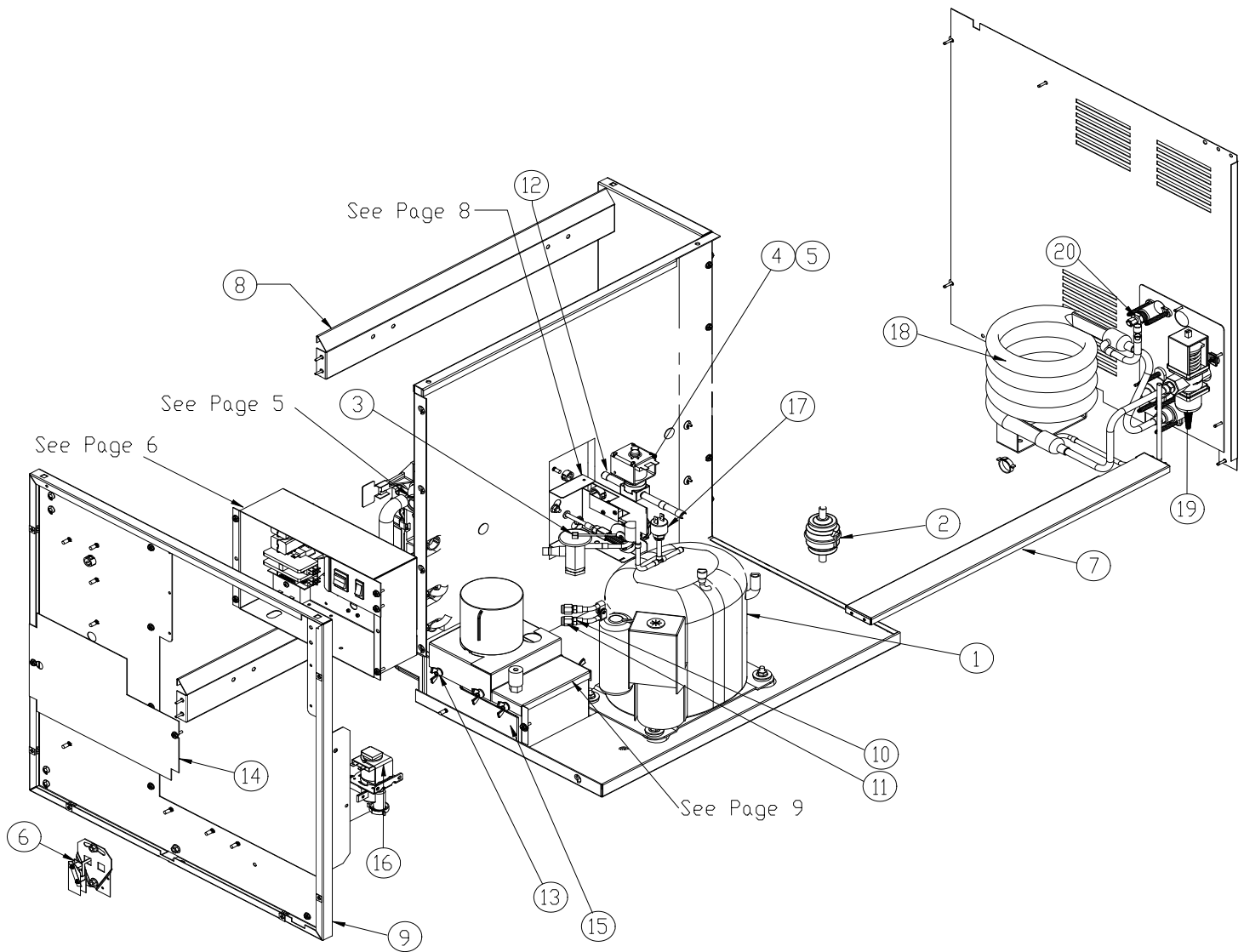


Item No.	Model Number				Stainless Steel Panels
	ICE0320	ICE0325	ICE0520	ICE0525	Description
1	2031490-01	2031490-01	2031490-01	2031490-01	Front Panel
2	3021831-01	3021831-01	3021831-01	3021831-01	Right Hand Side Panel-Air Cooled Only
	3021862-01	3021862-01	3021862-01	3021862-01	Right Hand Side Panel-Water Cooled Only
3	3021847-01	3021847-01	3021847-01	3021847-01	Top Panel
4	2101330-01	2101330-01	2101330-01	2101330-01	Left Hand Side Panel
5	9031098-03	9031098-03	9031098-03	9031098-03	Front Panel Screw
6	9031046-01	9031046-01	9031046-01	9031046-01	Side Panel Screw
7	3021838-01	3021838-01	3021838-01	3021838-01	Rear Cover Panel

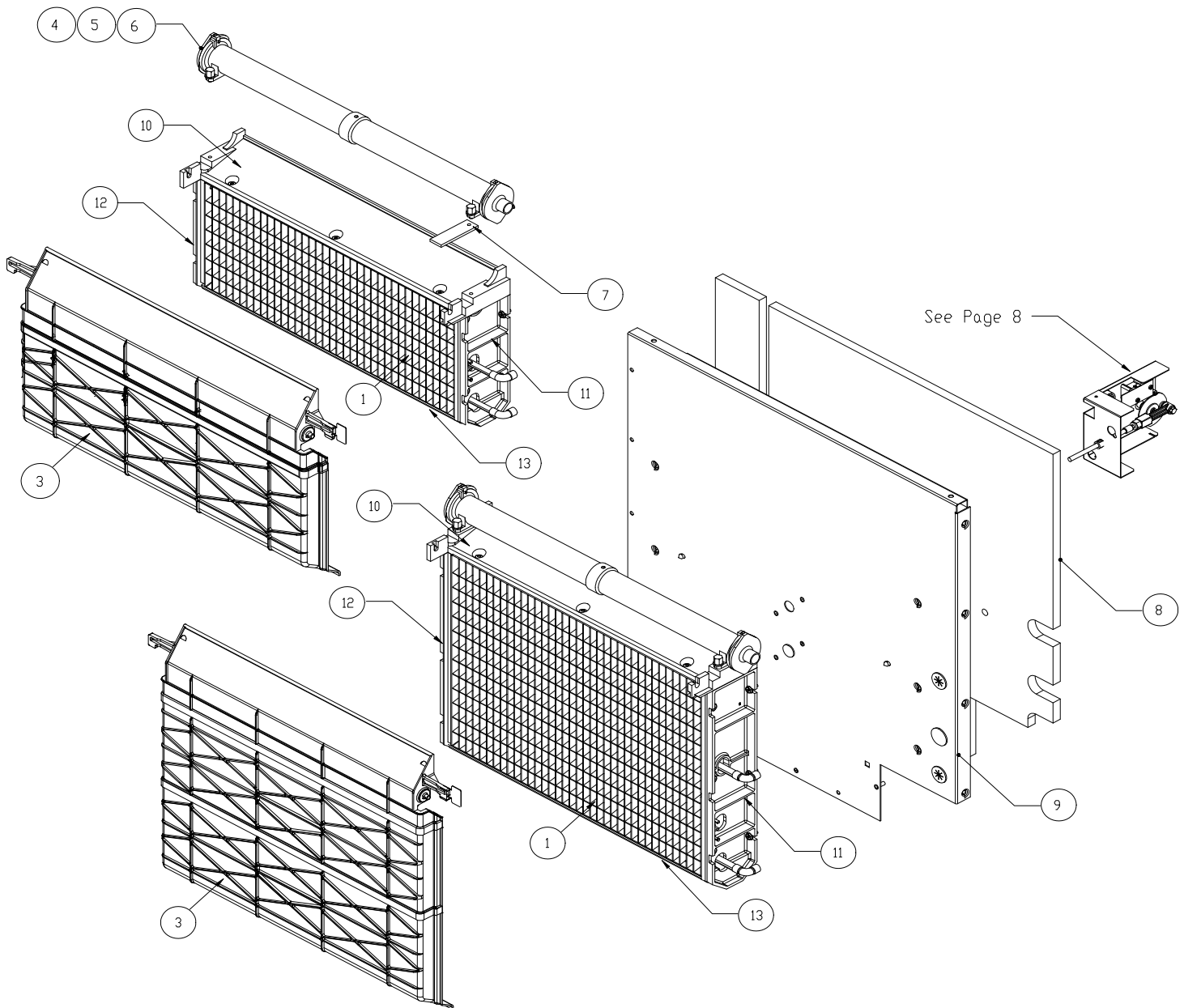
Item No.	Model Number				Plastic Panels
	ICE0320	ICE0325	ICE0520	ICE0525	Description
1	2031465-12	2031465-12	2031465-12	2031465-12	Front Panel (Plastic)
2	3021831-01	3021831-01	3021831-01	3021831-01	Right Hand Side Panel-Air Cooled Only
	3021862-01	3021862-01	3021862-01	3021862-01	Right Hand Side Panel-Water Cooled Only
3	3051237-01	3051237-01	3051237-01	3051237-01	Top Panel (Plastic)
	9031098-02	9031098-02	9031098-02	9031098-02	Top Panel Screw
4	2101330-01	2101330-01	2101330-01	2101330-01	Left Hand Side Panel
5	9031098-02	9031098-02	9031098-02	9031098-02	Front Panel Screw
6	9031046-01	9031046-01	9031046-01	9031046-01	Side Panel Screw
7	3021838-01	3021838-01	3021838-01	3021838-01	Rear Cover Panel



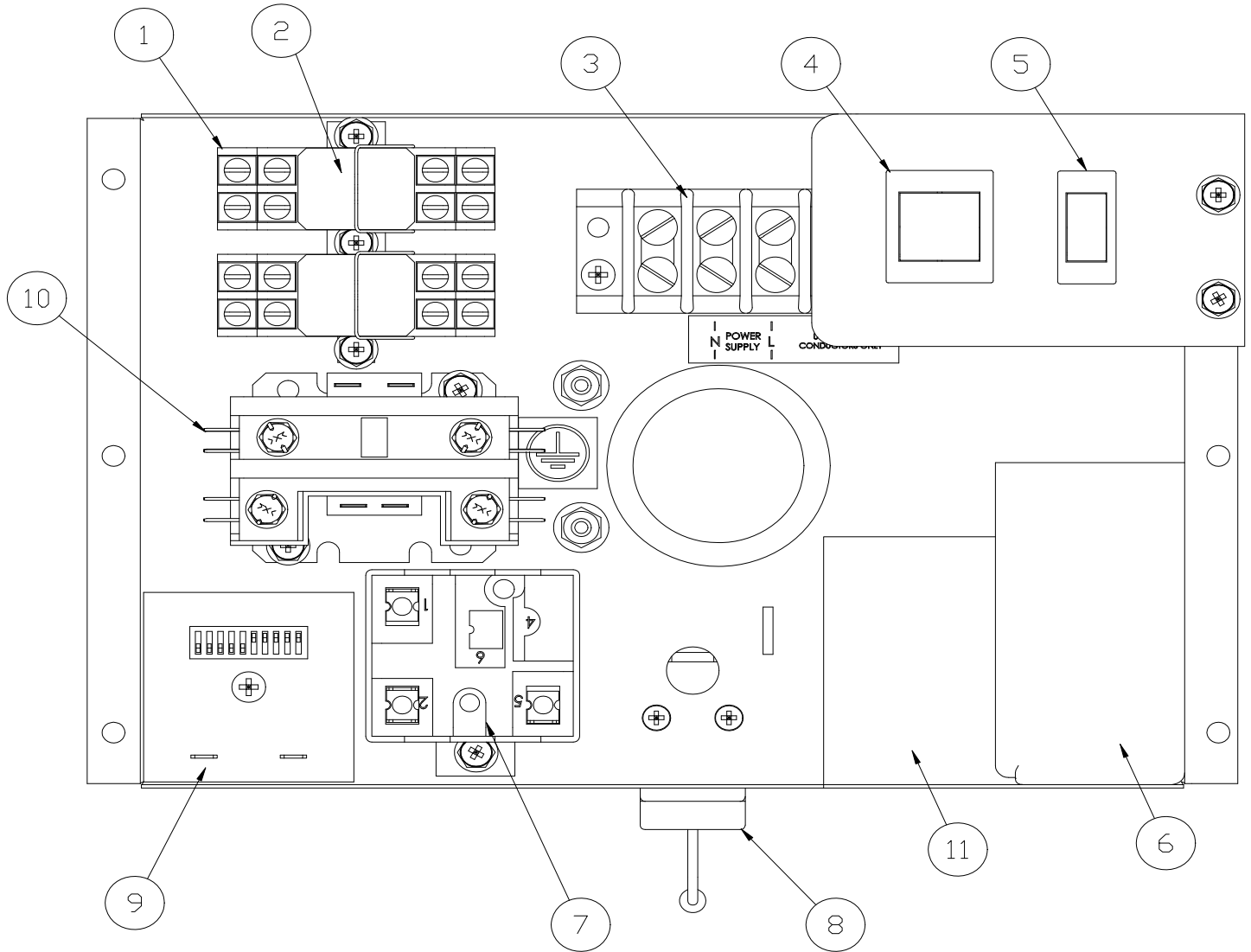
Item No.	Model Number				Description
	ICE0320	ICE0325	ICE0520	ICE0525	
1	9181121-11	9181122-11	9181121-11	9181127-11	Compressor Kit-- See page 6 for Compressor Components
2	9151004-02	9151004-02	9151004-02	9151004-02	Filter Drier
3	9151154-01	9151154-01	9151149-01	9151149-01	Expansion Valve
4	9151123-01	9151123-01	9151123-01	9151123-01	Hot Gas Valve Body
5	9151123-03	9151123-04	9151123-03	9151123-04	Hot Gas Valve Coil
6	9101124-02	9101124-02	9101124-02	9101124-02	Bin Switch
7	3012965-01	3012965-01	3012965-01	3012965-01	Side Brace
8	3012924-01	3012924-01	3012924-01	3012924-01	Ice Deflector
9	2021652-01	2021652-01	2021652-01	2021652-01	Front Frame panel
10	9091086-03	9091086-03	9091086-03	9091086-03	Service Valve Cap
11	9091086-02	9091086-02	9091086-02	9091086-02	Service Valve Core
12	9041098-01	9041098-01	9041098-01	9041098-01	High Temperature Safety Control
13	9031161-01	9031161-01	9031161-01	9031161-01	Nylon Wing Nut
14	3012974-01	3012974-01	3012974-01	3012974-01	Control Box Cover
15	9051478-01	9051478-01	9051478-01	9051478-01	Water Pan
16	9041086-04	9041086-05	9041086-04	9041086-05	Purge Valve
17	9041091-01	9041091-01	9041091-01	9041091-01	High Pressure Control
18	9041096-01	9041096-01	9041096-01	9041096-01	Fan Cycle Control



Item No.	Model Number				Description
	ICE0320	ICE0325	ICE0520	ICE0525	
1	9181121-11	N/A	9181121-11	N/A	Compressor Kit-- See page 6 for Compressor Components
2	9151004-02	N/A	9151004-02	N/A	Filter Drier
3	9151154-01	N/A	9151149-01	N/A	Expansion Valve
4	9151123-01	N/A	9151123-01	N/A	Hot Gas Valve Body
5	9151123-03	N/A	9151123-03	N/A	Hot Gas Valve Coil
6	9101124-02	N/A	9101124-02	N/A	Bin Switch
7	3012965-01	N/A	3012965-01	N/A	Side Brace
8	3012924-01	N/A	3012924-01	N/A	Ice Deflector
9	2021652-01	N/A	2021652-01	N/A	Front Frame panel
10	9091086-03	N/A	9091086-03	N/A	Service Valve Cap
11	9091086-02	N/A	9091086-02	N/A	Service Valve Core
12	9041098-01	N/A	9041098-01	N/A	High Temperature Safety Control
13	9031161-01	N/A	9031161-01	N/A	Nylon Wing Nut
14	3012974-01	N/A	3012974-01	N/A	Control Box Cover
15	9051478-01	N/A	9051478-01	N/A	Water Pan
16	9041086-04	N/A	9041086-04	N/A	Purge Valve
17	9041091-01	N/A	9041091-01	N/A	High Pressure Control
18	9141121-01	N/A	9141121-01	N/A	Water Cooled Condenser
19	9041059-01	N/A	9041059-01	N/A	Water Regulating Valve



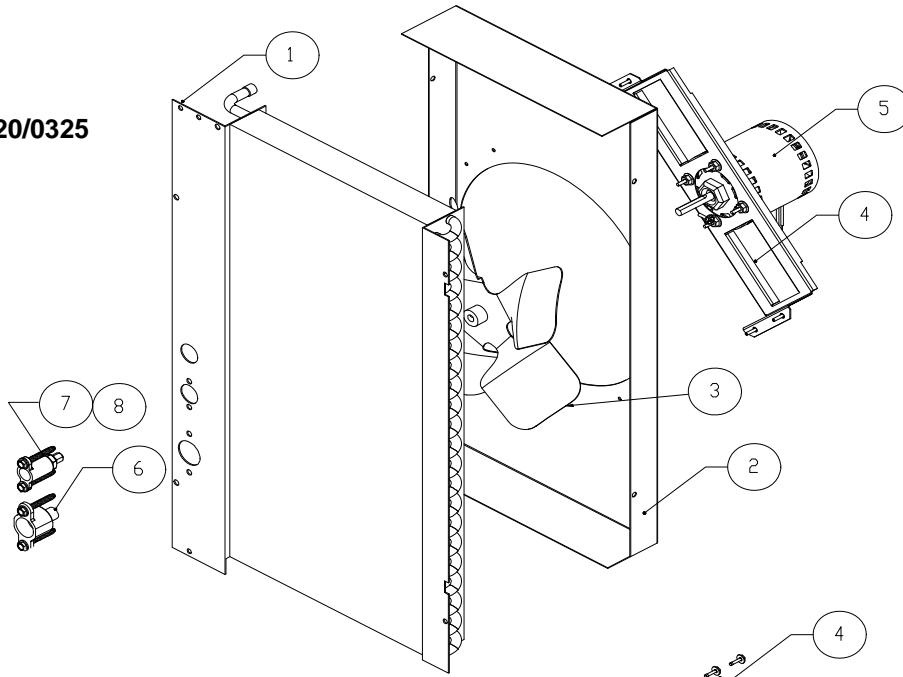
Item No.	Model Number				Description
	ICE0320	ICE0325	ICE0520	ICE0525	
1	2051222-01	2051222-01	2051232-01	2051232-01	Evaporator-Full Cube
1	2051222-02	2051222-02	2051232-02	2051232-02	Evaporator-Half Cube
3	2101387-01	2101387-01	2101355-04	2101355-04	Curtain
4	2041338-02	2041338-02	2041338-02	2041338-02	Water Distribution Tube
5	9031122-01	9031122-01	9031122-01	9031122-01	Thumb Screw
6	9031004-19	9031004-19	9031004-19	9031004-19	Washer
7	3012747-01	3012747-01	N/A	N/A	Curtain Stopper Clip
8	9131413-01	9131413-01	9131413-01	9131413-01	Insulation
9	2021651-01	2021651-01	2021651-01	2021651-01	Divider Panel
10	9051135-05	9051135-05	9051135-05	9051135-05	Evaporator Spillway
11	9051136-08	9051136-08	9051136-06	9051136-06	Evaporator Right Side Mounting Panel
12	9051136-07	9051136-07	9161136-05	9161136-05	Evaporator Left Side Mounting Panel
13	9051135-04	9051135-04	9051135-04	9051135-04	Evaporator Water Return



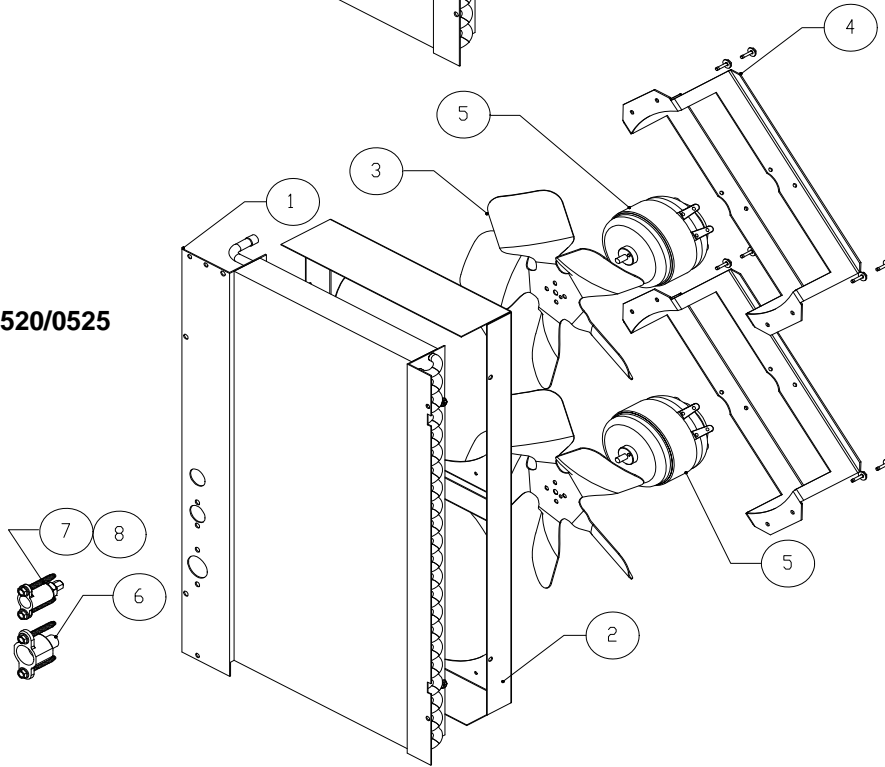
Item No.	Model Number				Description
	ICE0320	ICE0325	ICE0520	ICE0525	
1	9101083-01	9101083-01	9101083-01	9101083-01	Relay Socket
2	9101084-01	9101084-02	9101084-01	9101084-02	Relay
3	9101037-01	9101037-01	9101037-01	9101037-01	Terminal Board
4	9101195-01	9101195-01	9101195-01	9101195-01	On-Off Wash Switch
5	9101139-03	9101139-03	9101139-03	9101139-03	Purge Switch
6	9181003-09	9181003-40	9181003-09	9181003-45	Start Capacitor
7	9181004-27	9181010-26	9181004-27	9181010-30	Compressor Relay
8	9041094-01	9041094-01	9041094-01	9041094-01	Low Pressure Control
9	9101148-01	9101148-01	9101148-01	9101148-01	Timer
10	9101002-07	9101002-06	9101002-07	9101002-06	Contactor
11	N/A	9181009-08	N/A	9181009-08	Run Capacitor
12	9041098-01	9041098-01	9041098-01	9041098-01	High Temp Safety (Not Shown)
13	9101218-11	9101218-11	9101218-11	9101218-11	Water Pump Cord (Not Shown)

Specific Compressor Components				
ICE0320	ICE0325	ICE0520	ICE0525	
9181121-01	9181122-01	9181121-01	9181127-01	Compressor
9181003-39	9181003-40	9181003-39	9181003-45	Start Capacitor
N/A	9181009-08	N/A	9181009-08	Run Capacitor
9181004-27	9181010-26	9181004-27	9181010-30	Relay
9181005-37	9181005-39	9181005-37	9181005-44	Overload

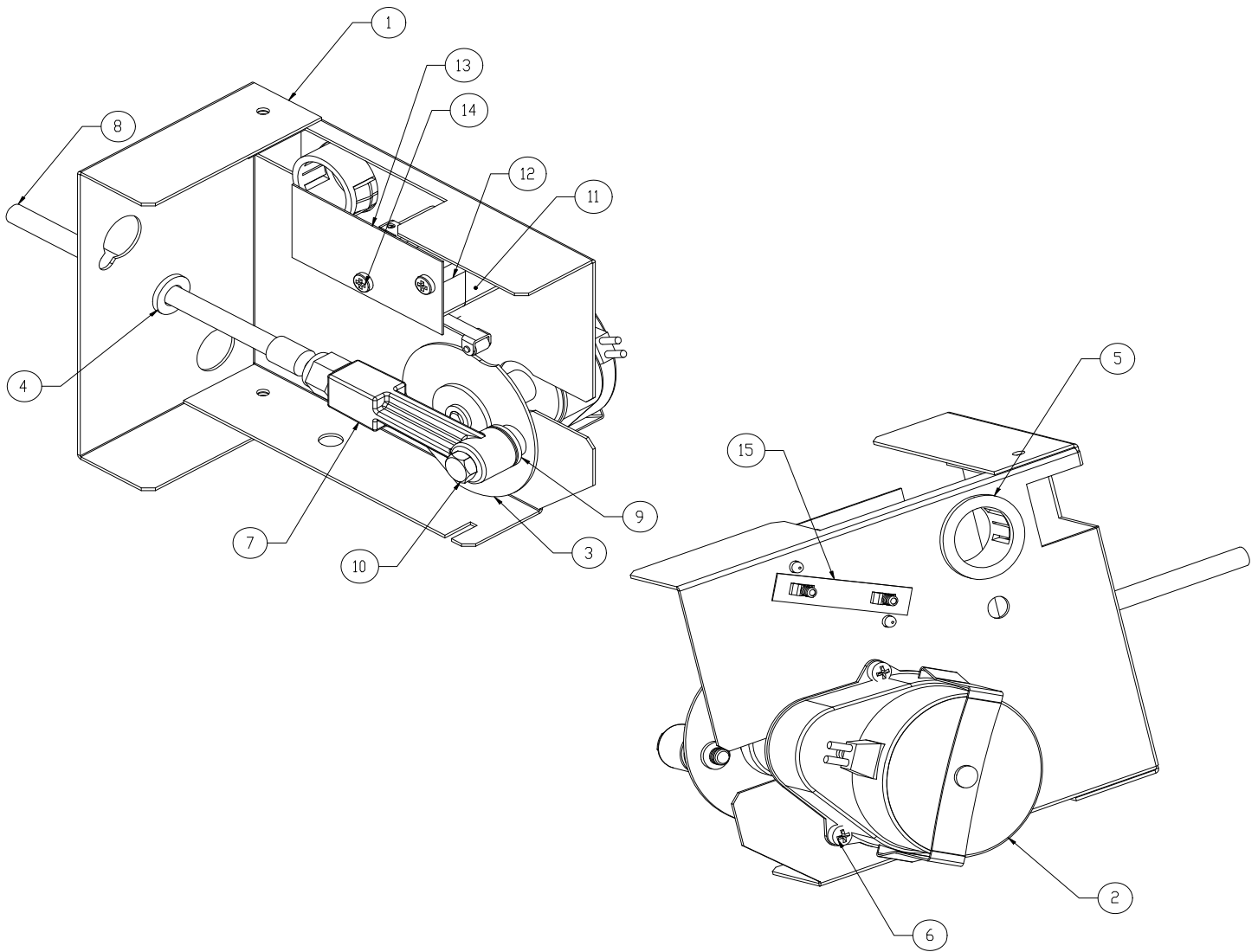
ICE0320/0325



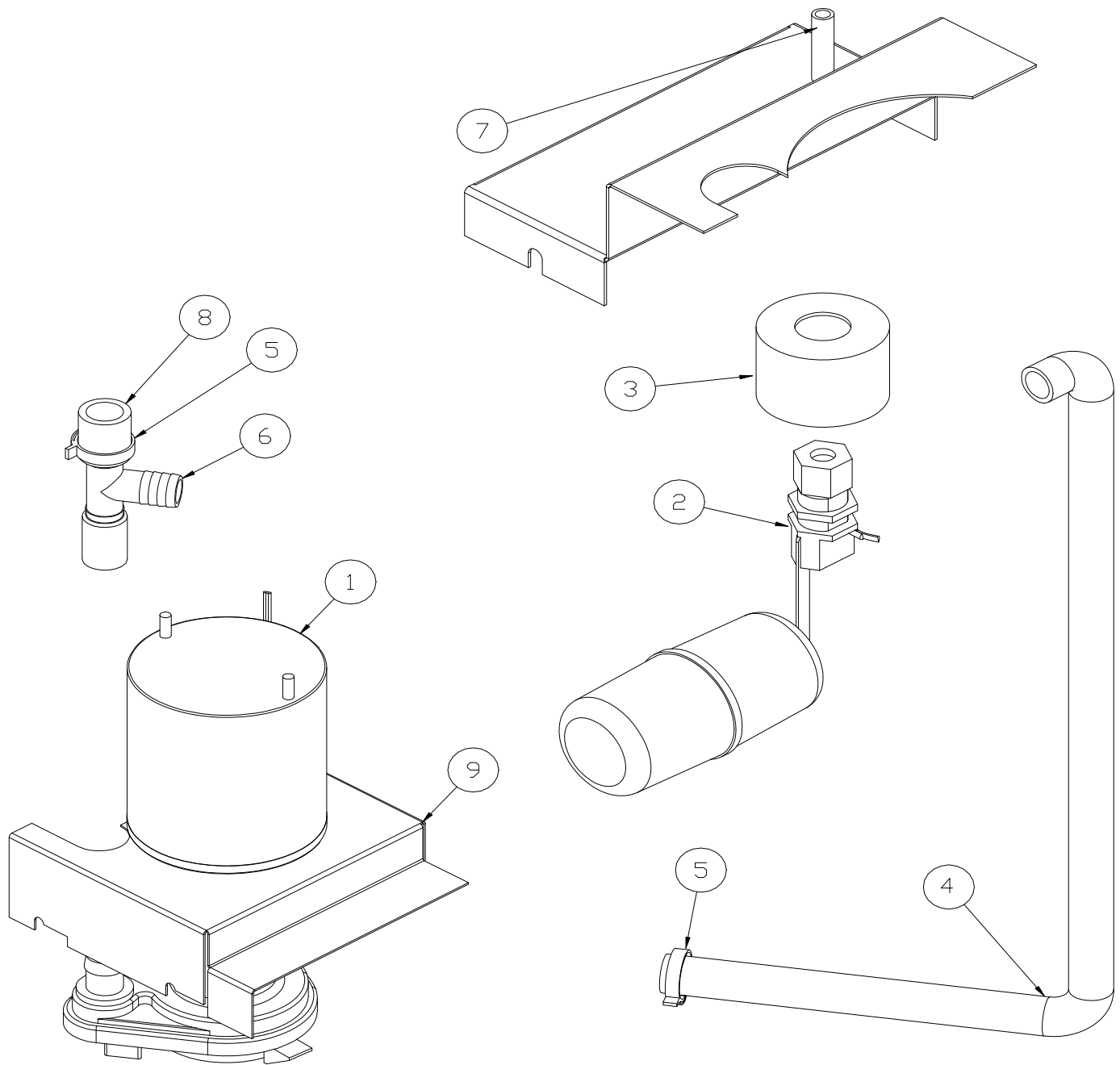
ICE0520/0525



Item No.	Model Number				Description
	ICE0320	ICE0325	ICE0520	ICE0525	
1	9141118-01	9141118-01	9141118-01	9141118-01	Air Condenser
2	3013111-01	3013111-01	2021613-01	2021613-01	Fan Shroud
3	9131225-01	9131384-04	9131384-04	9131384-04	Fan Blade
3	9131384-08				Fan Blade From Serial Number 08011280010045
4	3013059-01	3013252-01	3013252-01	3013252-01	Fan Motor Bracket
4	3013252-01				Fan Motor Bracket From Serial Number 08011280010045
5	9161089-02	9161078-02	9161112-01	9161078-02	Fan Motor
5	9161078-01				Fan Motor From Serial Number 08011280010045
6	9091140-01	9091140-01	9091140-01	9091140-01	Drain Fitting
7	9091074-01	9091074-01	9091074-01	9091074-01	Drop Adapter
8	9091083-01	9091083-01	9091083-01	9091083-01	Water Inlet Fitting



Item No.	Model Number				Description
	ICE0320	ICE0325	ICE0520	ICE0525	
1	3013170-01	3013170-01	3013170-01	3013170-01	Bracket, Probe Motor
2	9161030-01	9161031-01	9161030-01	9161031-01	Gear Motor
3	9131190-01	9131190-01	9131190-01	9131190-01	Clutch Assembly 180 Degree
4	9051001-13	9051001-13	9051001-13	9051001-13	Snap Bushing
5	9051001-03	9051001-03	9051001-03	9051001-03	Snap Bushing
6	9031019-08	9031019-08	9031019-08	9031019-08	#6-32 x 1/2 Fillister Head Screw
7	9051057-01	9051057-01	9051057-01	9051057-01	Connecting Rod
8	9021102-01	9021102-01	9021102-01	9021102-01	Probe, Single Length
9	9031003-03	9031003-03	9031003-03	9031003-03	Plain Flat Washer
10	9031119-01	9031119-01	9031119-01	9031119-01	Shoulder Screw
11	9051519-01	9051519-01	9051519-01	9051519-01	Spacer, Cam Switch
12	9101160-01	9101160-01	9101160-01	9101160-01	Cam Switch
13	3051145-02	3051145-02	3051145-02	3051145-02	Insulator, Switch
14	9031008-44	9031008-44	9031008-44	9031008-44	Pan Head Machine Screw
15	9031120-01	9031120-01	9031120-01	9031120-01	Speed Nut Plate
	2061962-01S	2061962-02S	2061962-01S	2061962-02S	Complete Assembly



Item No.	Model Number				Description
	ICE0320	ICE0325	ICE0520	ICE0525	
1	9161076-01	9161076-02	9161076-01	9161076-02	Water Pump
2	9131111-01	9131111-01	9131111-01	9131111-01	Float Assembly
3	9131026-02	9131026-02	9131026-02	9131026-02	Float Splash Shield
4	9051506-02	9051506-02	9051506-01	9051506-01	Water Pump Tube
5	9021010-04	9021010-04	9021010-04	9021010-04	Plastic Clamp
6	9091024-01	9091024-01	9091024-01	9091024-01	Barbed Tee
7	3032898-24	3032898-24	3032898-24	3032898-24	Water Inlet Tube, 1/4 Inch x 24 Inch
8	3051223-10	3051223-10	3051223-10	3051223-10	5/8 Inch ID x 10 Inch Long Tube
9	3013076-01	3013076-01	3013076-01	3013076-01	Water Pump Bracket