

# ***Ice-O-Matic***<sup>®</sup>

## **SERVICE PARTS MANUAL 22 INCH WIDE ICE SERIES CUBERS MODEL-ICE0320A4/W4 and ICE0520A4/W4**

Includes 50Hz. Units



Ice-O-Matic  
11100 East 45th Ave  
Denver, Colorado 80239  
Part Number 9081356-02

Date 4/09



This parts list contains the service parts available for the following icemakers:

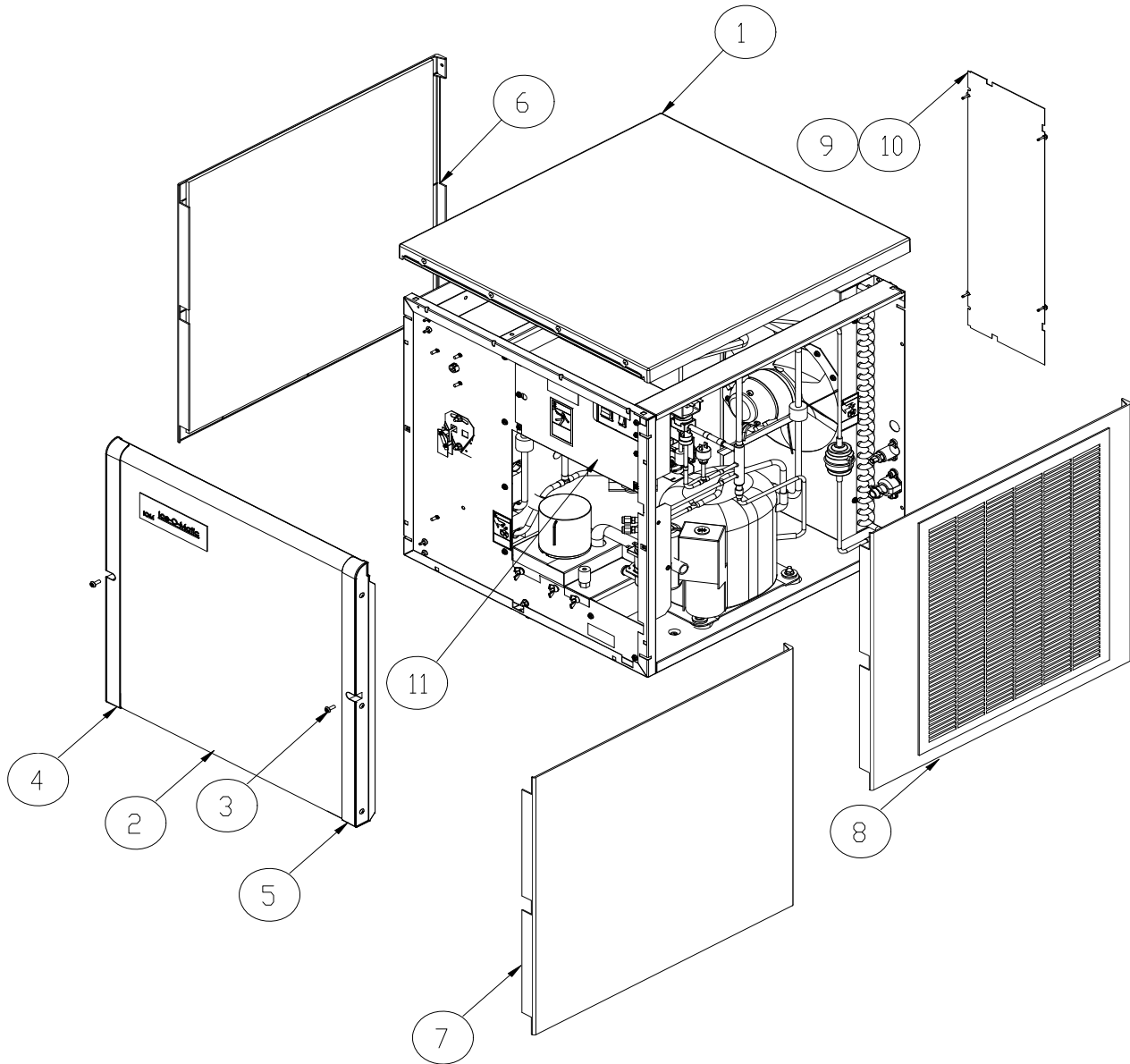
ICE0320\*A4  
ICE0320\*W4  
ICE0325\*A4  
ICE0520\*A4  
ICE0520\*W4  
ICE0525\*A4

**Check the model number on the data plate and refer to the correct listing for the specific component.**

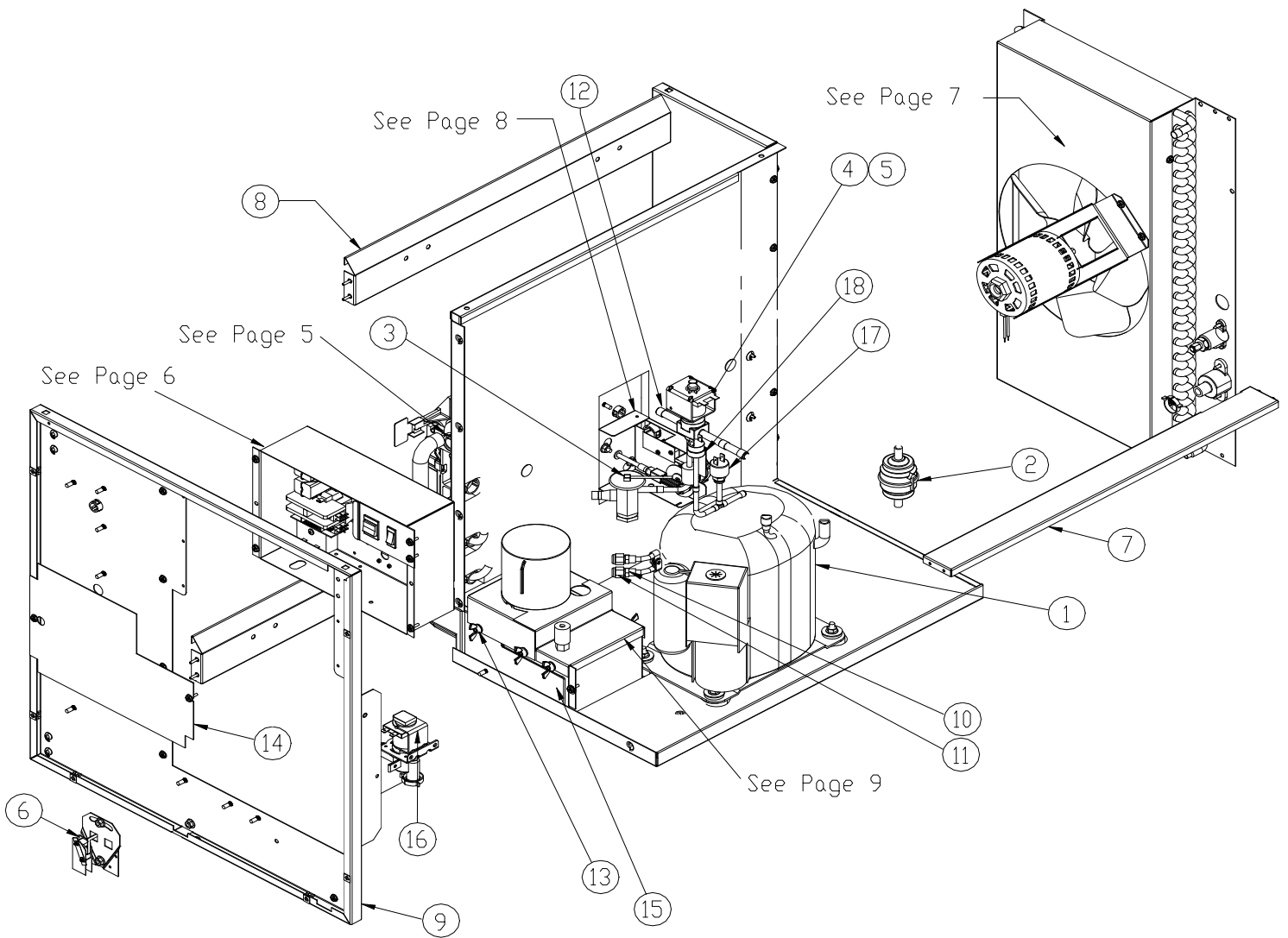
Check carefully that the correct part is identified and ordered.

Table of Contents	Page 1
Cabinet Exterior	Page 2
ICE0320/ICE0520 Air Cooled	Page 3
ICE0320/ICE0520 Water Cooled	Page 4
Evaporator	Page 5
Control Box	Page 6
Fan Assemblies	Page 7
Harvest Assist Components	Page 8
Water Pump/Float	Page 9

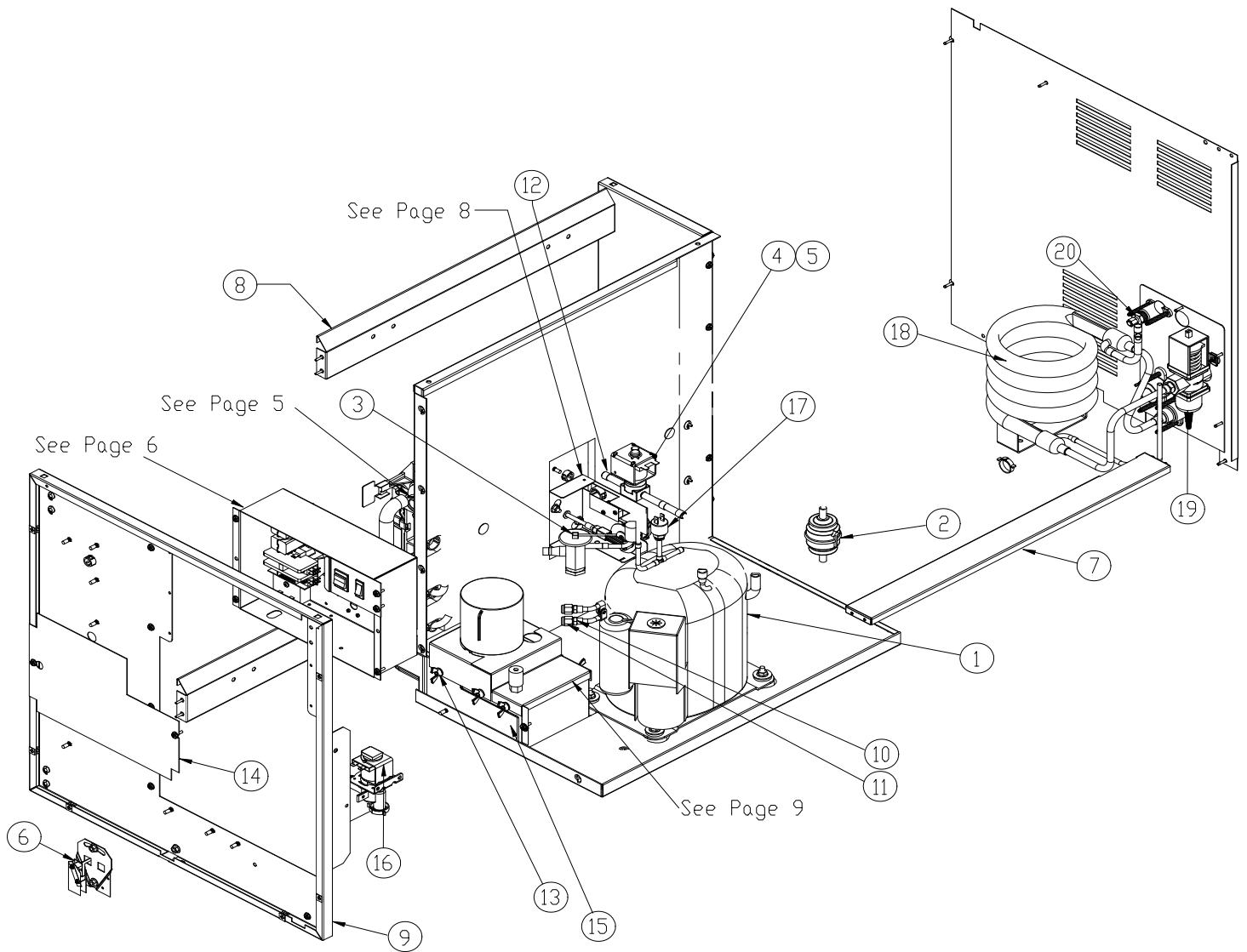
Ice-O-Matic  
11100 East 45th Ave.  
Denver Co. 80239  
800-423-3367



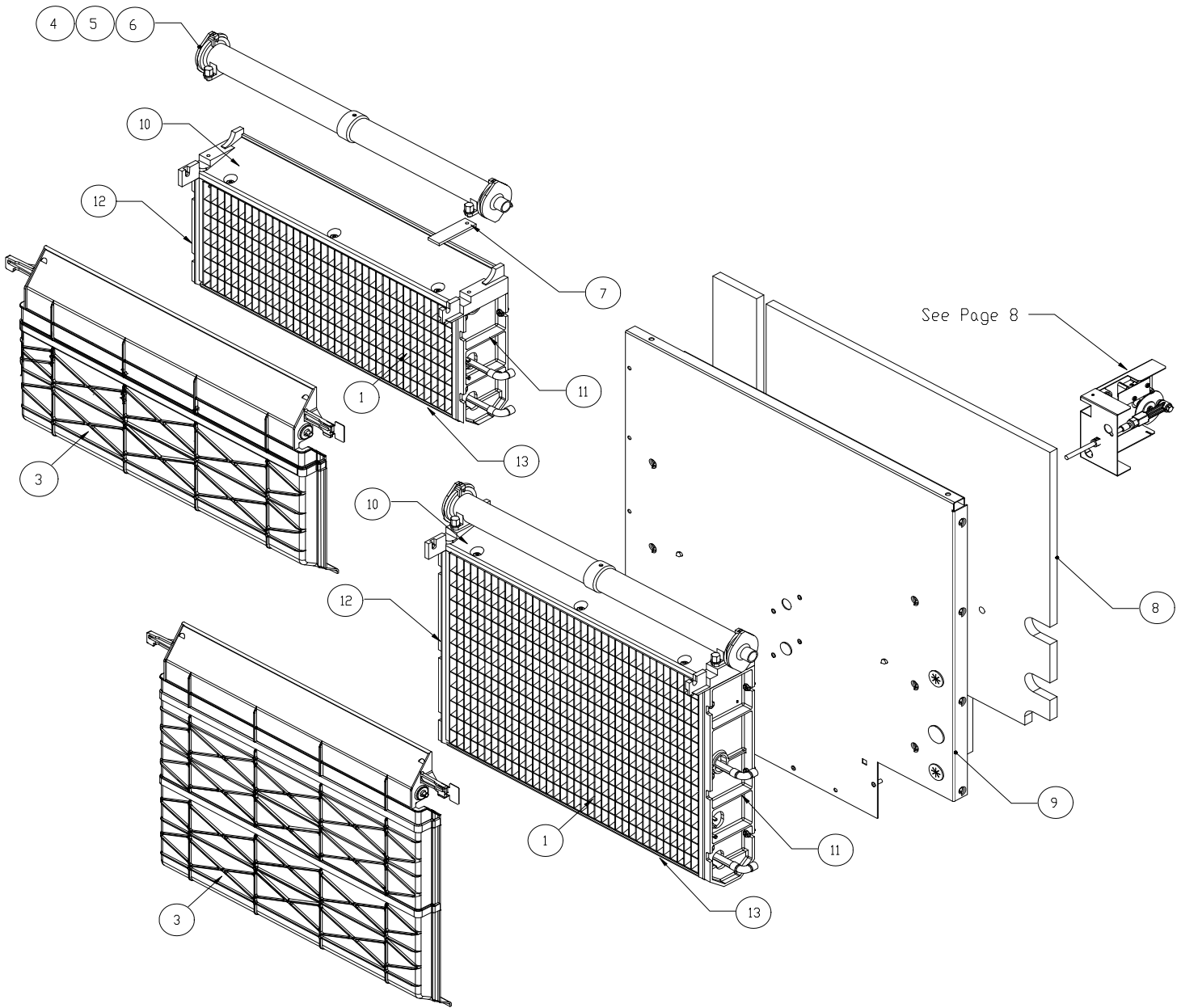
Item No.	Model Number				Description
	ICE0320	ICE0325	ICE0520	ICE0525	
1	2101431-01S	2101431-01S	2101431-01S	2101431-01S	Top Panel
2	2031511-04S	2031511-04S	2031511-04S	2031511-04S	Front Panel
3	9031098-04	9031098-04	9031098-04	9031098-04	Front Panel Screw
4	9051562-06	9051562-06	9051562-06	9051562-06	Front Panel End Cap Left Side
5	9051562-05	9051562-05	9051562-05	9051562-05	Front Panel End Cap Right Side
6	2101436-01	2101436-01	2101436-01	2101436-01	Left Hand Side Panel
7	9051565-06	N/A	9051565-06	N/A	Right Hand Side Panel ( Non-Louvered, Water Cooled)
8	2101428-03	2101428-03	2101428-03	2101428-03	Right Hand Side Panel ( Louvered, Air Cooled)
9	3021942-01	3021942-01	3021942-01	3021942-01	Rear Panel (Air Cooled)
9	3021943-01	3021943-01	3021943-01	3021943-01	Rear Panel (Water Cooled)
10	9031046-01	9031046-01	9031046-01	9031046-01	Rear Panel Screws
11	3012974-01	3012974-01	3012974-01	3012974-01	Control Box Cover
12	N/A	3013107-01	N/A	3013107-01	Access Panel (50 hz. Only, Not Shown)



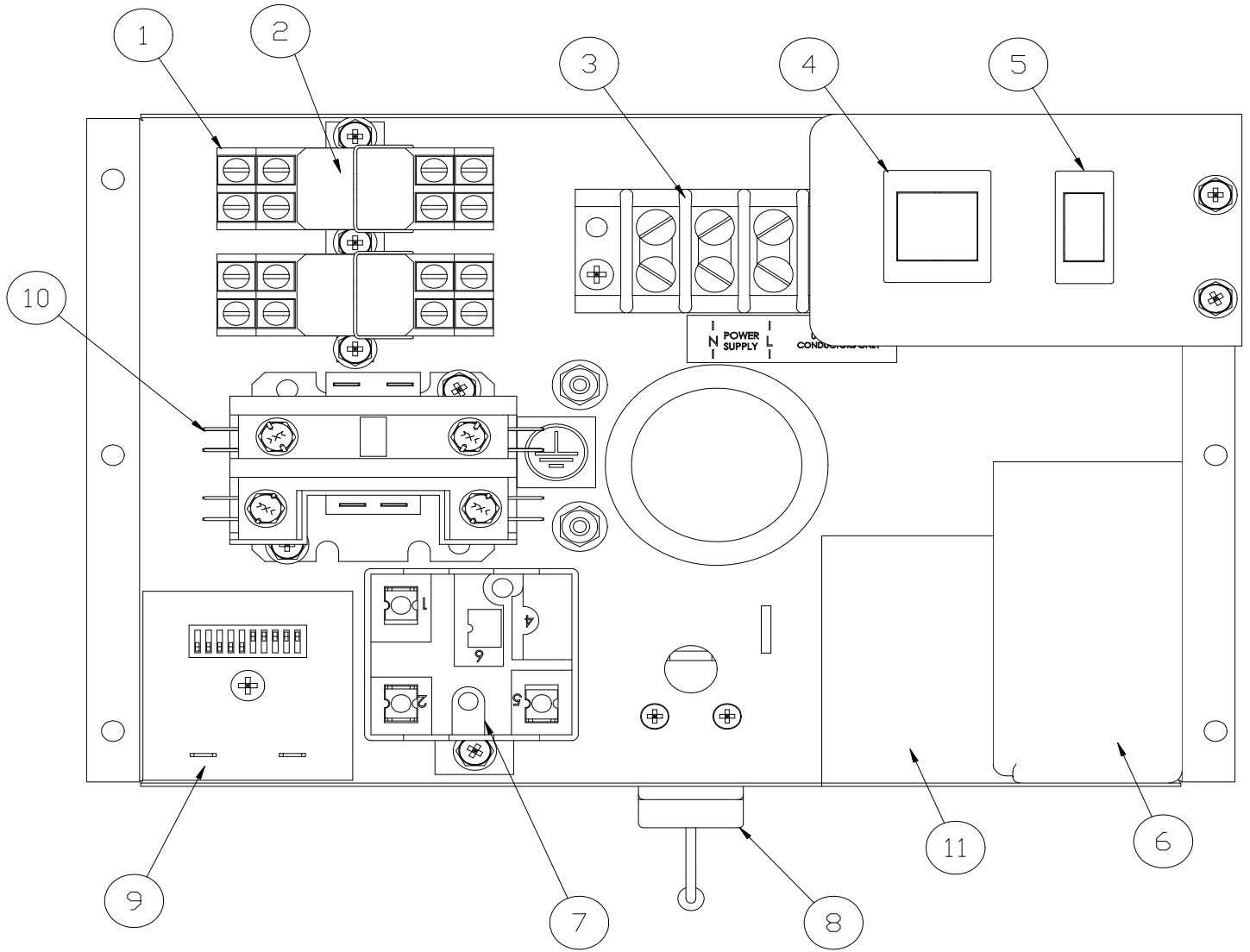
Item No.	Model Number				Description
	ICE0320	ICE0325	ICE0520	ICE0525	
1	9181121-11	9181122-11	9181121-11	9181127-11	Compressor Kit-- See page 6 for Compressor Components
2	9151004-02	9151004-02	9151004-02	9151004-02	Filter Drier
3	9151154-01	9151154-01	9151149-01	9151149-01	Expansion Valve
4	9151123-01	9151123-01	9151123-01	9151123-01	Hot Gas Valve Body
5	9151123-03	9151123-04	9151123-03	9151123-04	Hot Gas Valve Coil
6	9101124-02	9101124-02	9101124-02	9101124-02	Bin Switch
7	3012965-01	3012965-01	3012965-01	3012965-01	Side Brace
8	3012924-01	3012924-01	3012924-01	3012924-01	Ice Deflector
9	2021690-01	2021690-01	2021690-01	2021690-01	Front Frame Panel
10	9091086-03	9091086-03	9091086-03	9091086-03	Service Valve Cap
11	9091086-02	9091086-02	9091086-02	9091086-02	Service Valve Core
12	9041098-01	9041098-01	9041098-01	9041098-01	High Temperature Safety Control
13	9031161-01	9031161-01	9031161-01	9031161-01	Nylon Wing Nut
14	3012974-01	3012974-01	3012974-01	3012974-01	Control Box Cover
15	9051478-01	9051478-01	9051478-01	9051478-01	Water Pan
16	9041086-04	9041086-05	9041086-04	9041086-05	Purge Valve
17	9041091-01	9041091-01	9041091-01	9041091-01	High Pressure Control
18	9041096-01	9041096-01	9041096-01	9041096-01	Fan Cycle Control



Item No.	Model Number				Description
	ICE0320	ICE0325	ICE0520	ICE0525	
1	9181121-11	N/A	9181121-11	N/A	Compressor Kit-- See page 6 for Compressor Components
2	9151004-02	N/A	9151004-02	N/A	Filter Drier
3	9151154-01	N/A	9151149-01	N/A	Expansion Valve
4	9151123-01	N/A	9151123-01	N/A	Hot Gas Valve Body
5	9151123-03	N/A	9151123-03	N/A	Hot Gas Valve Coil
6	9101124-02	N/A	9101124-02	N/A	Bin Switch
7	3012965-01	N/A	3012965-01	N/A	Side Brace
8	3012924-01	N/A	3012924-01	N/A	Ice Deflector
9	2021690-01	N/A	2021690-01	N/A	Front Frame panel
10	9091086-03	N/A	9091086-03	N/A	Service Valve Cap
11	9091086-02	N/A	9091086-02	N/A	Service Valve Core
12	9041098-01	N/A	9041098-01	N/A	High Temperature Safety Control
13	9031161-01	N/A	9031161-01	N/A	Nylon Wing Nut
14	3012974-01	N/A	3012974-01	N/A	Control Box Cover
15	9051478-01	N/A	9051478-01	N/A	Water Pan
16	9041086-04	N/A	9041086-04	N/A	Purge Valve
17	9041091-01	N/A	9041091-01	N/A	High Pressure Control
18	9141121-01	N/A	9141121-01	N/A	Water Cooled Condenser
19	9041059-01	N/A	9041059-01	N/A	Water Regulating Valve



Item No.	Model Number				Description
	ICE0320	ICE0325	ICE0520	ICE0525	
1	2051222-01S	2051222-01S	2051232-01S	2051232-01S	Evaporator-Full Cube
1	2051222-02S	2051222-02S	2051232-02S	2051232-02S	Evaporator-Half Cube
3	2101387-01S	2101387-01S	2101355-04S	2101355-04S	Curtain
4	2041338-02	2041338-02	2041338-02	2041338-02	Water Distribution Tube
5	9031122-01	9031122-01	9031122-01	9031122-01	Thumb Screw
6	9031004-19	9031004-19	9031004-19	9031004-19	Washer
7	3012747-01	3012747-01	N/A	N/A	Curtain Stopper Clip
8	9131413-01	9131413-01	9131413-01	9131413-01	Insulation
9	2021651-01	2021651-01	2021651-01	2021651-01	Divider Panel
10	9051135-05	9051135-05	9051135-05	9051135-05	Evaporator Spillway
11	9051136-08	9051136-08	9051136-06	9051136-06	Evaporator Right Side Mounting Panel
12	9051136-07	9051136-07	9161136-05	9161136-05	Evaporator Left Side Mounting Panel
13	9051135-04	9051135-04	9051135-04	9051135-04	Evaporator Water Return

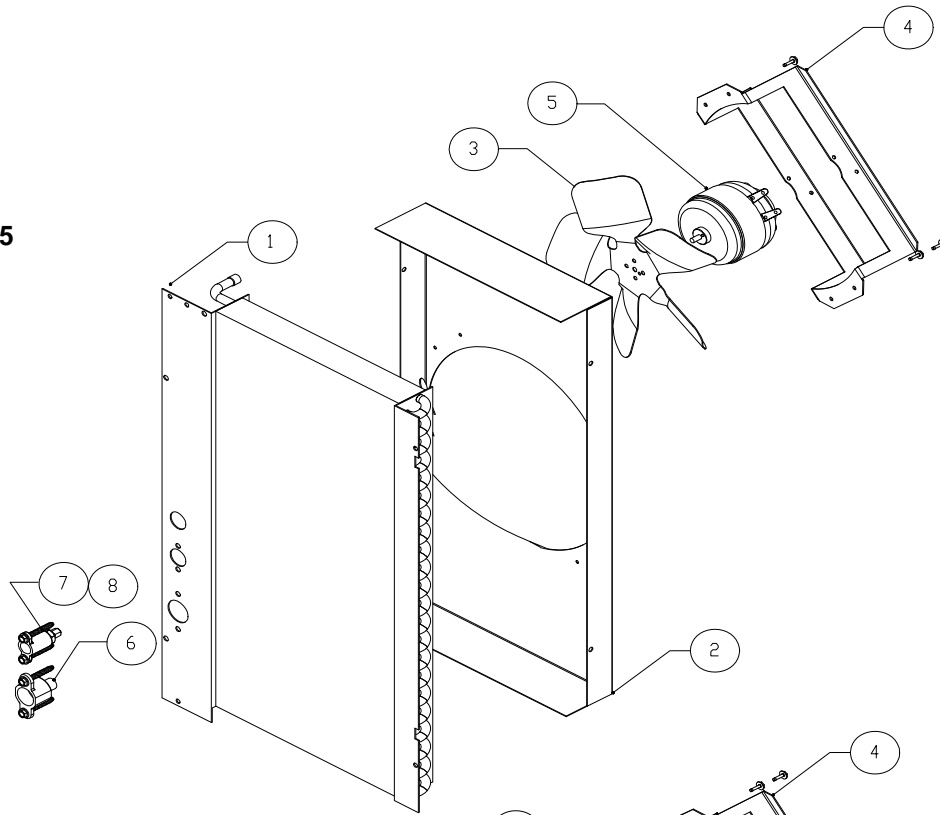


Item No.	Model Number				Description
	ICE0320	ICE0325	ICE0520	ICE0525	
1	9101083-01	9101083-01	9101083-01	9101083-01	Relay Socket
2	9101084-01	9101084-02	9101084-01	9101084-02	Relay
3	9101037-01	9101037-01	9101037-01	9101037-01	Terminal Board
4	9101195-01	9101195-01	9101195-01	9101195-01	On-Off Wash Switch
5	9101139-03	9101139-03	9101139-03	9101139-03	Purge Switch
6	9181003-09	9181003-40	9181003-09	9181003-45	Start Capacitor
7	9181004-27	9181010-26	9181004-27	9181010-30	Compressor Relay
8	9041094-01	9041094-01	9041094-01	9041094-01	Low Pressure Control
9	9101148-01	9101148-01	9101148-01	9101148-01	Timer
10	9101002-07	9101002-06	9101002-07	9101002-06	Contactor
11	N/A	9181009-08	N/A	9181009-08	Run Capacitor
12	9041098-01	9041098-01	9041098-01	9041098-01	High Temp Safety (Not Shown)
13	9101218-11	9101218-11	9101218-11	9101218-11	Water Pump Cord (Not Shown)

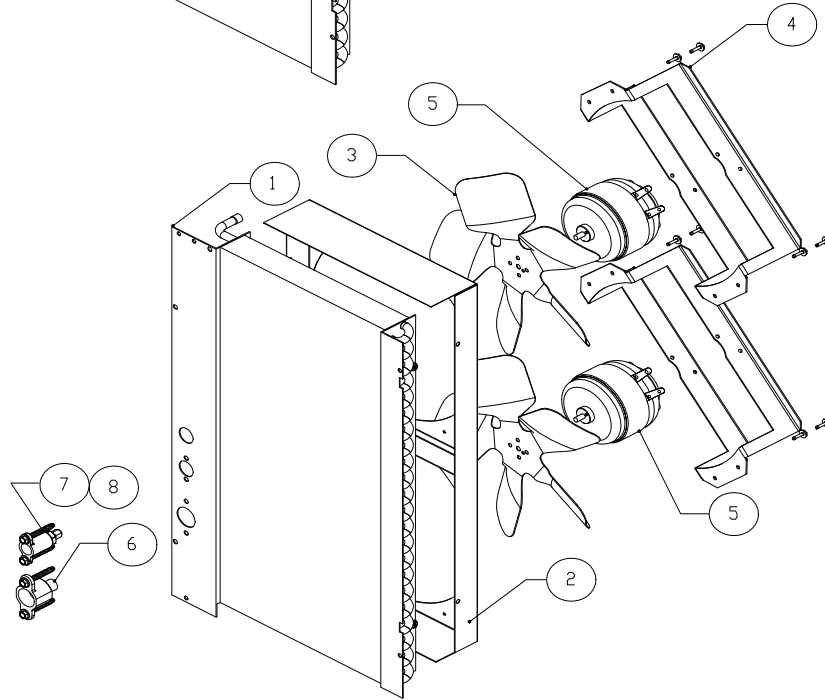
Specific Compressor Components				
ICE0320	ICE0325	ICE0520	ICE0525	
9181121-01	9181122-01	9181121-01	9181127-01	Compressor
9181003-39	9181003-40	9181003-39	9181003-45	Start Capacitor
N/A	9181009-08	N/A	9181009-08	Run Capacitor
9181004-27	9181010-26	9181004-27	9181010-30	Relay
9181005-37	9181005-39	9181005-37	9181005-44	Overload



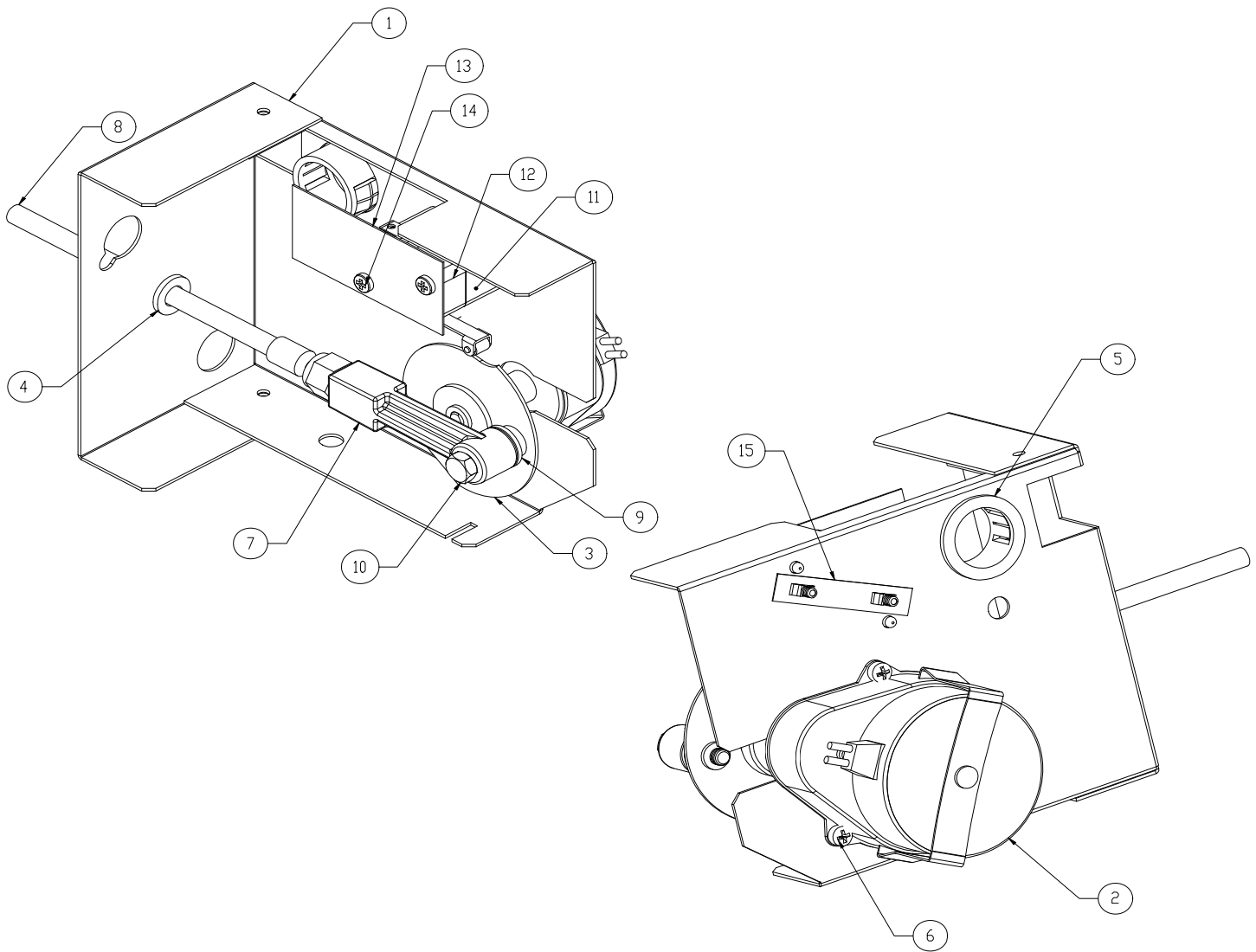
ICE0320/0325



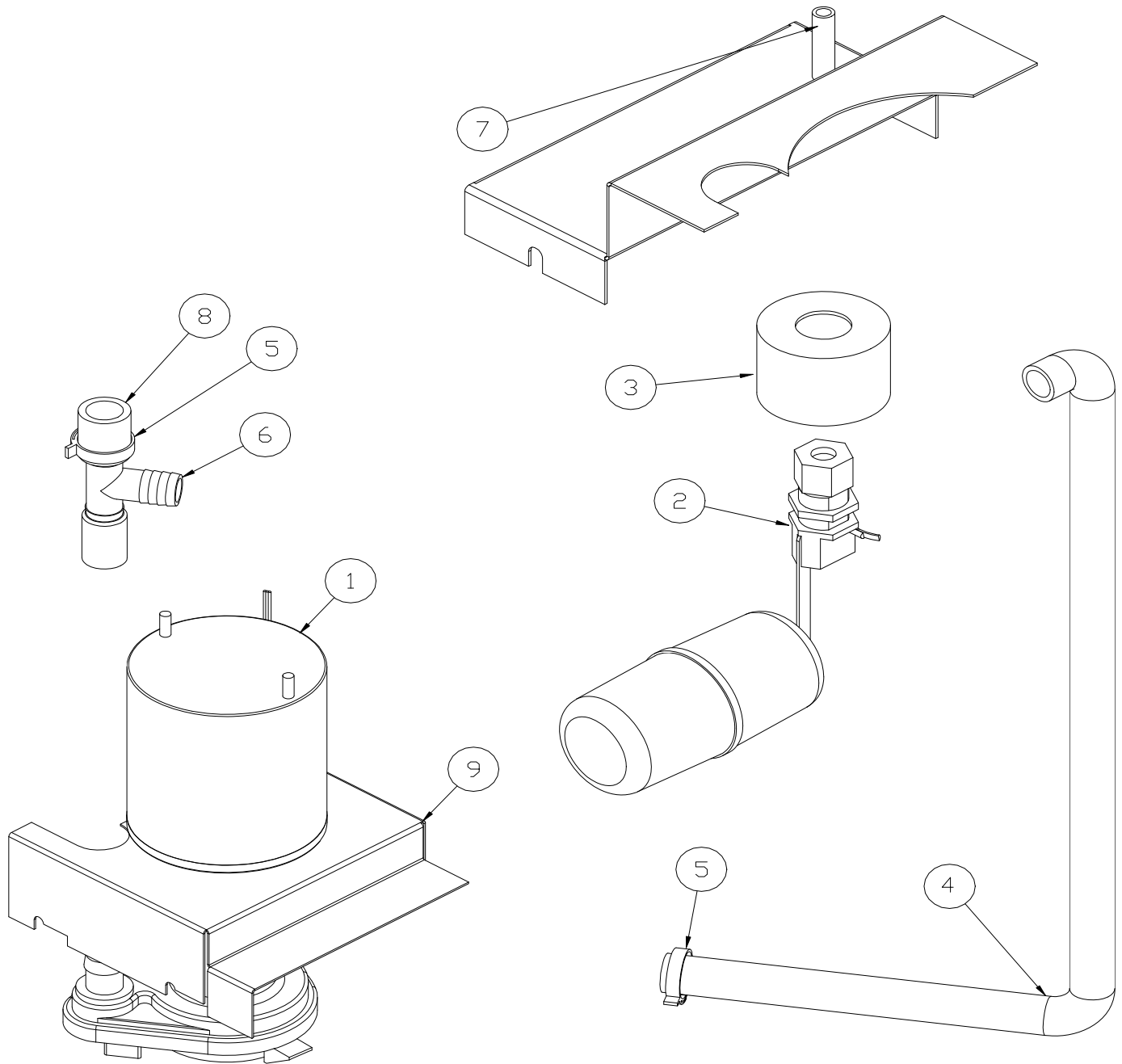
ICE0520/0525



Item No.	Model Number				Description
	ICE0320	ICE0325	ICE0520	ICE0525	
1	9141118-01	9141118-01	9141118-01	9141118-01	Air Condenser
2	3013111-01	3013111-01	2021613-01	2021613-01	Fan Shroud
3	9131384-08	9131384-04	9131384-04	9131384-04	Fan Blade
4	3013252-01	3013252-01	3013252-01	3013252-01	Fan Motor Bracket
5	9161078-01	9161078-02	9161112-01	9161078-02	Fan Motor
6	9091140-01	9091140-01	9091140-01	9091140-01	Drain Fitting
7	9091074-01	9091074-01	9091074-01	9091074-01	Drop Adapter
8	9091083-01	9091083-01	9091083-01	9091083-01	Water Inlet Fitting



Item No.	Model Number				Description
	ICE0320	ICE0325	ICE0520	ICE0525	
1	3013170-01	3013170-01	3013170-01	3013170-01	Bracket, Probe Motor
2	9161030-01	9161031-01	9161030-01	9161031-01	Gear Motor
3	9131190-01	9131190-01	9131190-01	9131190-01	Clutch Assembly 180 Degree
4	9051001-13	9051001-13	9051001-13	9051001-13	Snap Bushing
5	9051001-03	9051001-03	9051001-03	9051001-03	Snap Bushing
6	9031019-08	9031019-08	9031019-08	9031019-08	#6-32 x 1/2 Fillister Head Screw
7	9051057-01	9051057-01	9051057-01	9051057-01	Connecting Rod
8	9021102-01	9021102-01	9021102-01	9021102-01	Probe, Single Length
9	9031003-03	9031003-03	9031003-03	9031003-03	Plain Flat Washer
10	9031119-01	9031119-01	9031119-01	9031119-01	Shoulder Screw
11	9051519-01	9051519-01	9051519-01	9051519-01	Spacer, Cam Switch
12	9101160-01	9101160-01	9101160-01	9101160-01	Cam Switch
13	3051145-02	3051145-02	3051145-02	3051145-02	Insulator, Switch
14	9031008-44	9031008-44	9031008-44	9031008-44	Pan Head Machine Screw
15	9031120-01	9031120-01	9031120-01	9031120-01	Speed Nut Plate
	2061962-01S	2061962-02S	2061962-01S	2061962-02S	Complete Assembly



Item No.	Model Number				Description
	ICE0320	ICE0325	ICE0520	ICE0525	
1	9161076-01	9161076-02	9161076-01	9161076-02	Water Pump
2	9131111-01	9131111-01	9131111-01	9131111-01	Float Assembly
3	9131026-02	9131026-02	9131026-02	9131026-02	Float Splash Shield
4	9051506-02	9051506-02	9051506-01	9051506-01	Water Pump Tube
5	9021010-04	9021010-04	9021010-04	9021010-04	Plastic Clamp
6	9091024-01	9091024-01	9091024-01	9091024-01	Barbed Tee
7	3032898-24	3032898-24	3032898-24	3032898-24	Water Inlet Tube, 1/4 Inch x 24 Inch
8	3051223-10	3051223-10	3051223-10	3051223-10	5/8 Inch ID x 10 Inch Long Tube
9	3013076-01	3013076-01	3013076-01	3013076-01	Water Pump Bracket