

Ice-O-Matic[®]

SERVICE PARTS MANUAL

ICE SERIES CUBERS

MODEL - ICE0250A4-T4-W4, ICE0400A3-T3-W3

MODEL - ICE0500A3-T3-W3-R4, ICE0606A3-T3-W3-R4

Includes 50Hz. Units



This parts list contains the service parts available for the ICE Series icemakers listed below:

ICE0250 A4, T4 and W4, Includes 50 hz. Models

ICE0400 A3, T3 and W3, Includes 50 hz. Models

ICE0500 A3, T3, W3 and R4

ICE0606 A3, T3, W3 and R4 Includes 50 hz. Models

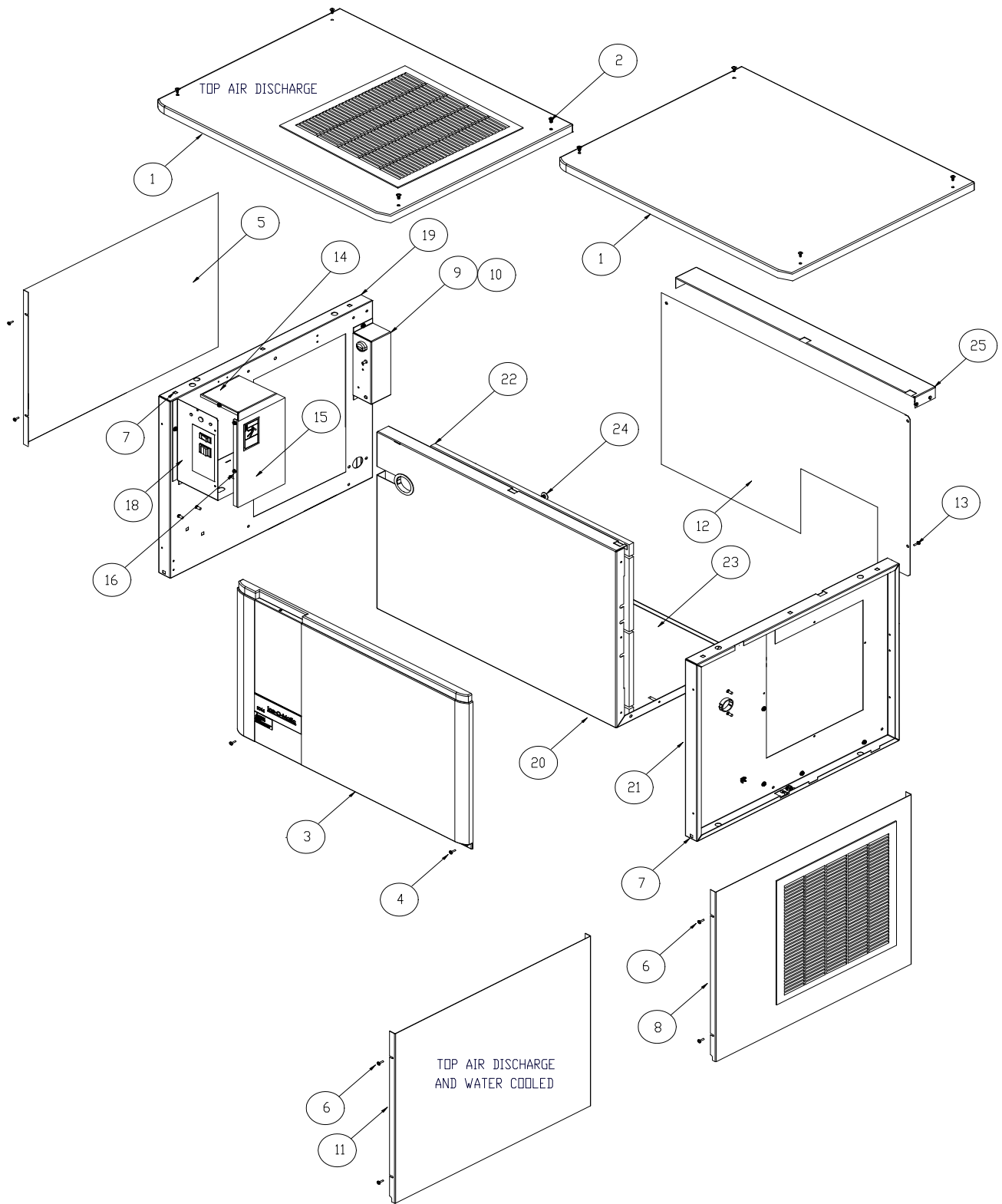
Check the model number on the data plate and refer to the correct listing for the specific component.

Check carefully that the correct part is identified and ordered.

| | |
|--------------------------------|--------------|
| Table of Contents | Page 1 |
| Cabinet Assembly | Page 2 - 3 |
| Evaporator/Water System | Page 4 - 5 |
| Air Cooled and Top Discharge | Page 6 - 7 |
| Water Cooled | Page 8 - 9 |
| Remote | Page 10 - 11 |
| Control Box | Page 12 - 13 |
| Specific Compressor Components | Page 13 |
| Harvest Assist Assembly | Page 14 - 15 |
| Remote Condenser | Page 16 - 17 |

The ICE Series Service Manual is available separately, Part number 9081270-01

Ice-O-Matic
11100 East 45th Ave.
Denver Co. 80239
800-423-3367



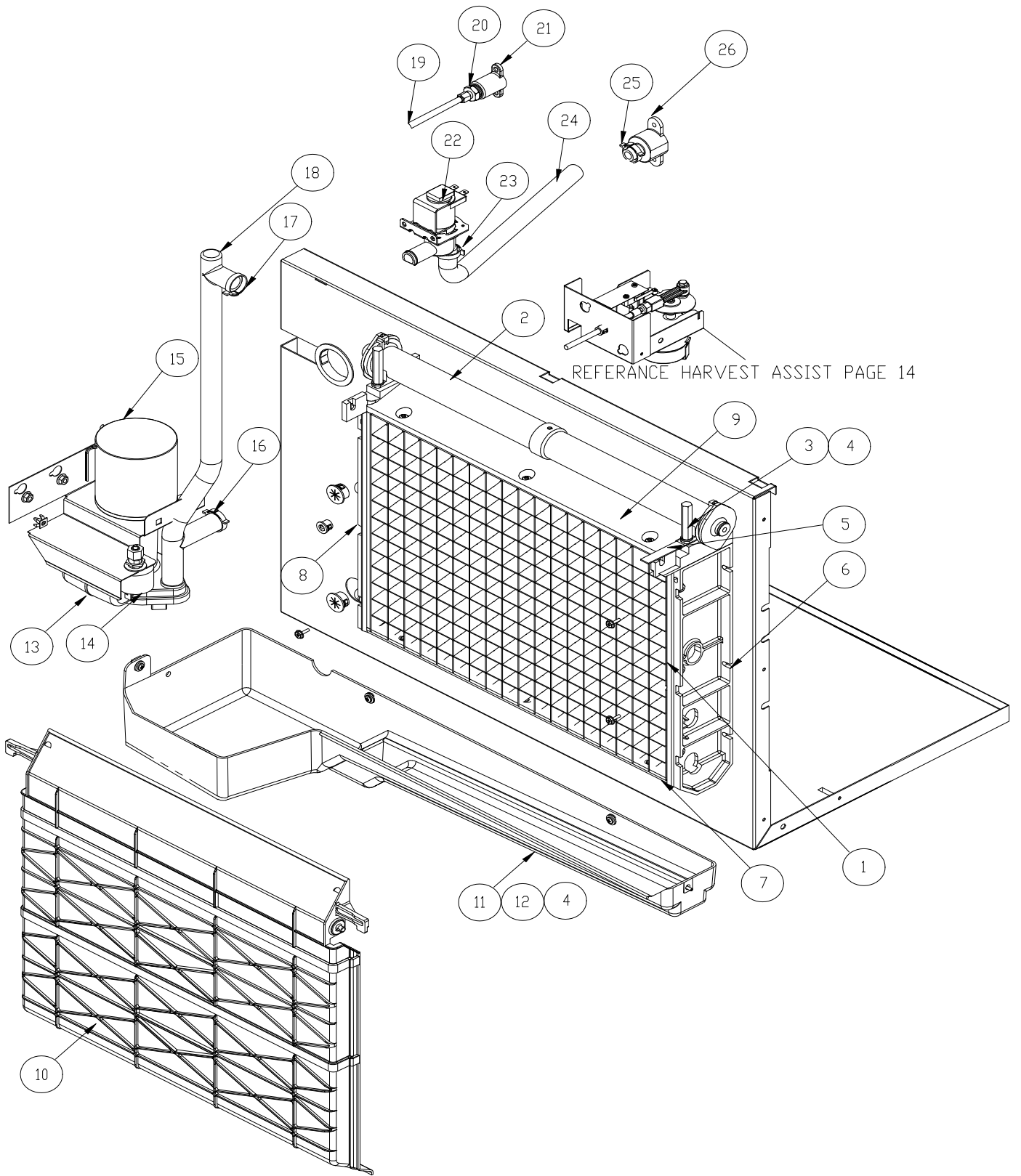
Top Air Discharge Kit Part Number 1051142-01

ICE Series Service Parts

Cabinet Assembly

| Item No. | Model Number | | | | | Description |
|----------|--------------|------------|------------|------------|------------|------------------------------------|
| | ICE0250 | ICE0400 | ICE0406 | ICE0500 | ICE0606 | |
| 1 | 2101285-01 | 2101285-01 | 2101285-01 | 2101285-01 | 2101285-01 | Top Panel-Air Cooled |
| 1 | 2101280-01 | 2101280-01 | 2101280-01 | 2101280-01 | 2101280-01 | Top Panel-Top Discharge |
| 1 | 9051466-01 | 9051466-01 | 9051466-01 | 9051466-01 | 9051466-01 | Top Panel-Water Cooled and Remote |
| 2 | 9031098-02 | 9031098-02 | 9031098-02 | 9031098-02 | 9031098-02 | Top Panel Screw |
| 3 | 2031465-01 | 2031465-01 | 2031465-01 | 2031465-01 | 2031465-01 | Front Panel |
| 4 | 9031098-02 | 9031098-02 | 9031098-02 | 9031098-02 | 9031098-02 | Front Panel Screw |
| 5 | 3021915-01 | 3021915-01 | 3021915-01 | 3021915-01 | 3021915-01 | Left Hand Side Panel |
| 6 | 9031046-03 | 9031046-03 | 9031046-03 | 9031046-03 | 9031046-03 | Side Panel Screws |
| 7 | 9031141-01 | 9031141-01 | 9031141-01 | 9031141-01 | 9031141-01 | Plastic Nut Insert |
| 8 | 2031504-01 | 2031504-01 | 2031504-01 | 2031504-01 | 2031504-01 | Right Hand Side Panel-Louvered |
| 9 | 3012681-01 | 3012681-01 | 3012681-01 | 3012681-01 | 3012681-01 | Junction Box Cover |
| 10 | 9031046-01 | 9031046-01 | 9031046-01 | 9031046-01 | 9031046-01 | Junction Box Cover Screw |
| 11 | 3021914-01 | 3021914-01 | 3021914-01 | 3021914-01 | 3021914-01 | Right Hand Side Panel Non-Louvered |
| 12 | 3021742-01 | 3021742-01 | 3021742-01 | 3021742-01 | 3021742-01 | Rear Panel |
| 13 | 9031046-01 | 9031046-01 | 9031046-01 | 9031046-01 | 9031046-01 | Rear Panel Screw |
| 14 | 3012905-01 | 3012905-01 | 3012905-01 | 3012905-01 | 3012905-01 | Control Box Top Cover |
| 15 | 3012904-01 | 3012904-01 | 3012904-01 | 3012904-01 | 3012904-01 | Control Box Side Cover |
| 16 | 9031046-01 | 9031046-01 | 9031046-01 | 9031046-01 | 9031046-01 | Control Box Screws |
| 17 | N/A | N/A | N/A | N/A | N/A | N/A |
| 18 | 3012855-01 | 3012855-01 | 3012855-01 | 3012855-01 | 3012855-01 | Control Box Front Cover |
| 19 | 2021650-01 | 2021650-01 | 2021650-01 | 2021650-01 | 2021650-01 | Left Hand Frame Side |
| 20 | 2021648-01 | 2021648-01 | 2021648-01 | 2021648-01 | 2021648-01 | Divider Base Assembly |
| 21 | 2021649-01 | 2021649-01 | 2021649-01 | 2021649-01 | 2021649-01 | Right Hand Frame Side |
| 22 | 9131181-01 | 9131181-01 | 9131181-01 | 9131181-01 | 9131181-01 | Insulation |
| 23 | 9131121-04 | 9131121-04 | 9131121-04 | 9131121-04 | 9131121-04 | Insulation |
| 24 | 9031154-01 | 9031154-01 | 9031154-01 | 9031154-01 | 9031154-01 | Retainer "Christmas Tree Clip" |
| 25 | 3012724-01 | 3012724-01 | 3012724-01 | 3012724-01 | 3012724-01 | Brace |

| Item No. | Model Number | | | Description |
|----------|--------------|------------|------------|------------------------------------|
| | ICE0305 | ICE0405 | ICE0605 | |
| 1 | 2101285-01 | 2101285-01 | 2101285-01 | Top Panel-Air Cooled |
| 1 | 2101280-01 | 2101280-01 | 2101280-01 | Top Panel-Top Discharge |
| 1 | 9051466-01 | 9051466-01 | 9051466-01 | Top Panel-Water Cooled and Remote |
| 2 | 9031098-02 | 9031098-02 | 9031098-02 | Top Panel Screw |
| 3 | 2031465-01 | 2031465-01 | 2031465-01 | Front Panel |
| 4 | 9031098-02 | 9031098-02 | 9031098-02 | Front Panel Screw |
| 5 | 3021915-01 | 3021915-01 | 3021915-01 | Left Hand Side Panel |
| 6 | 9031046-03 | 9031046-03 | 9031046-03 | Side Panel Screws |
| 7 | 9031141-01 | 9031141-01 | 9031141-01 | Plastic Nut Insert |
| 8 | 2031504-01 | 2031504-01 | 2031504-01 | Right Hand Side Panel-Louvered |
| 9 | 3012681-01 | 3012681-01 | 3012681-01 | Junction Box Cover |
| 10 | 9031046-01 | 9031046-01 | 9031046-01 | Junction Box Cover Screw |
| 11 | 3021914-01 | 3021914-01 | 3021914-01 | Right Hand Side Panel Non-Louvered |
| 12 | 3021742-01 | 3021742-01 | 3021742-01 | Rear Panel |
| 13 | 9031046-01 | 9031046-01 | 9031046-01 | Rear Panel Screw |
| 14 | 3012905-01 | 3012905-01 | 3012905-01 | Control Box Top Cover |
| 15 | 3012904-01 | 3012904-01 | 3012904-01 | Control Box Side Cover |
| 16 | 9031046-01 | 9031046-01 | 9031046-01 | Control Box Screws |
| 17 | 3012931-01 | 3012931-01 | 3012931-01 | Machine Compartment Cover |
| 18 | 3012855-01 | 3012855-01 | 3012855-01 | Control Box Front Cover |
| 19 | 2021650-01 | 2021650-01 | 2021650-01 | Left Hand Frame Side |
| 20 | 2021648-01 | 2021648-01 | 2021648-01 | Divider Base Assembly |
| 21 | 2021649-01 | 2021649-01 | 2021649-01 | Right Hand Frame Side |
| 22 | 9131181-01 | 9131181-01 | 9131181-01 | Insulation |
| 23 | 9131121-04 | 9131121-04 | 9131121-04 | Insulation |
| 24 | 9031154-01 | 9031154-01 | 9031154-01 | Retainer "Christmas Tree Clip" |
| 25 | 3012724-01 | 3012724-01 | 3012724-01 | Brace |

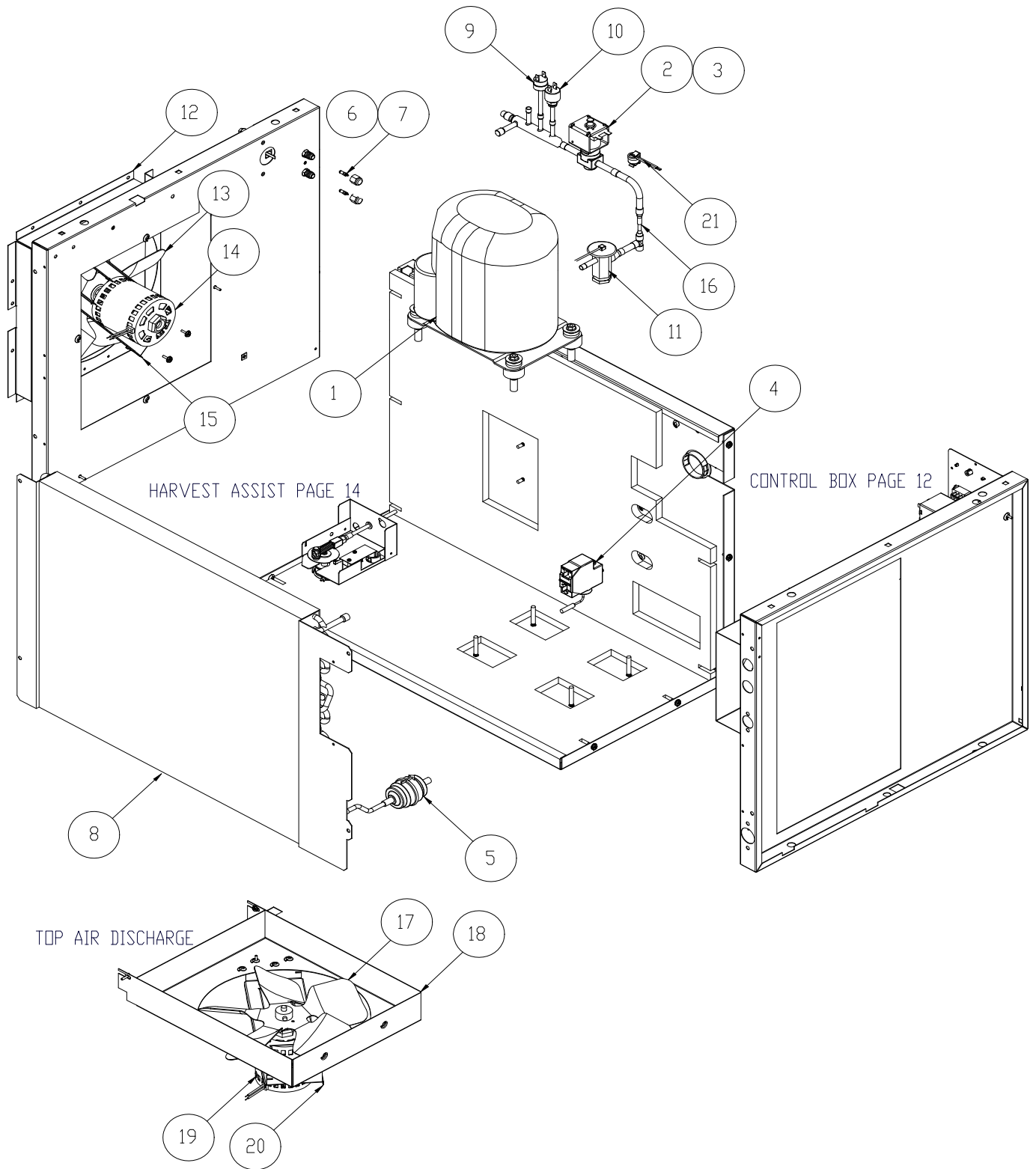


ICE Series Service Parts

Evaporator/Water System

| Item No. | Model Number | | | | | Description |
|----------|--------------|------------|------------|------------|------------|---|
| | ICE0250 | ICE0400 | ICE0406 | ICE0500 | ICE0606 | |
| 1 | 2051156-81 | 2051148-81 | 2051148-81 | 2051148-81 | 2051148-81 | Evaporator Full Cube |
| 1 | 2051156-82 | 2051148-82 | 2051148-82 | 2051148-82 | 2051148-82 | Evaporator Half Cube |
| 2 | 2041338-01 | 2041338-01 | 2041338-01 | 2041338-01 | 2041338-01 | Water Distribution Tube |
| 3 | 9031122-05 | 9031122-05 | 9031122-05 | 9031122-05 | 9031122-05 | Thumb Screw |
| 4 | 9031004-19 | 9031004-19 | 9031004-19 | 9031004-19 | 9031004-19 | Rubber Washer |
| 5 | 3012747-01 | N/A | N/A | N/A | N/A | Curtain Stopper |
| 6 | 9051136-08 | 9051136-06 | 9051136-06 | 9051136-06 | 9051136-06 | Evaporator Mounting Panel Right Side |
| 7 | 9051135-04 | 9051135-04 | 9051135-04 | 9051135-04 | 9051135-04 | Evaporator Water Return |
| 8 | 9051136-07 | 9051136-05 | 9051136-05 | 9051136-05 | 9051136-05 | Evaporator Mounting Panel Left Side |
| 9 | 9051135-05 | 9051135-05 | 9051135-05 | 9051135-05 | 9051135-05 | Evaporator Spillway |
| 10 | 9051154-07 | 9051154-08 | 9051154-08 | 9051154-08 | 9051154-08 | Evaporator Splash Curtain |
| 11 | 9051537-01 | 9051537-01 | 9051537-01 | 9051537-01 | 9051537-01 | Water Return Trough |
| 12 | 9031046-24 | 9031046-24 | 9031046-24 | 9031046-24 | 9031046-24 | Water Return Trough Screw |
| 13 | 9131111-01 | 9131111-01 | 9131111-01 | 9131111-01 | 9131111-01 | Float |
| 14 | 9131026-02 | 9131026-02 | 9131026-02 | 9131026-02 | 9131026-02 | Caplug (Float Deflector) |
| 15 | 9161076-01 | 9161076-01 | 9161076-02 | 9161076-01 | 9161076-02 | Water Pump |
| 16 | 9021010-04 | 9021010-04 | 9021010-04 | 9021010-04 | 9021010-04 | Clamp |
| 17 | 9021010-04 | 9021010-04 | 9021010-04 | 9021010-04 | 9021010-04 | Clamp |
| 18 | 9051142-02 | 9051142-01 | 9051142-01 | 9051142-01 | 9051142-01 | Water Pump Tube |
| 19 | 3032898-26 | 3032898-26 | 3032898-26 | 3032898-26 | 3032898-26 | Water Float Tubing (26 Inches required) |
| 20 | 9091083-01 | 9091083-01 | 9091083-01 | 9091083-01 | 9091083-01 | Water Inlet Fitting |
| 21 | 9091074-01 | 9091074-01 | 9091074-01 | 9091074-01 | 9091074-01 | Drop Adapter |
| 22 | 9041086-01 | 9041086-01 | 9041086-02 | 9041086-01 | 9041086-02 | Purge Valve |
| 23 | 9021010-04 | 9021010-04 | 9021010-04 | 9021010-04 | 9021010-04 | Clamp |
| 24 | 9051280-11 | 9051280-11 | 9051280-11 | 9051280-11 | 9051280-11 | Purge Drain Hose |
| 25 | 9021010-03 | 9021010-03 | 9021010-03 | 9021010-03 | 9021010-03 | Clamp |
| 26 | 9091140-01 | 9091140-01 | 9091140-01 | 9091140-01 | 9091140-01 | Purge Drain Fitting |

| Item No. | Model Number - 50 Cycle Units | | | Description |
|----------|-------------------------------|------------|------------|---|
| | ICE0305 | ICE0405 | ICE0605 | |
| 1 | 2051156-81 | 2051148-81 | 2051148-81 | Evaporator Full Cube |
| 1 | 2051156-82 | 2051148-82 | 2051148-82 | Evaporator Half Cube |
| 2 | 2041338-01 | 2041338-01 | 2041338-01 | Water Distribution Tube |
| 3 | 9031122-05 | 9031122-05 | 9031122-05 | Thumb Screw |
| 4 | 9031004-19 | 9031004-19 | 9031004-19 | Rubber Washer |
| 5 | 3012747-01 | N/A | N/A | Curtain Stopper |
| 6 | 9051136-08 | 9051136-06 | 9051136-06 | Evaporator Mounting Panel Right Side |
| 7 | 9051135-04 | 9051135-04 | 9051135-04 | Evaporator Water Return |
| 8 | 9051136-07 | 9051136-05 | 9051136-05 | Evaporator Mounting Panel Left Side |
| 9 | 9051135-05 | 9051135-05 | 9051135-05 | Evaporator Spillway |
| 10 | 9051154-07 | 9051154-08 | 9051154-08 | Evaporator Splash Curtain |
| 11 | 9051537-01 | 9051537-01 | 9051537-01 | Water Return Trough |
| 12 | 9031046-24 | 9031046-24 | 9031046-24 | Water Return Trough Screw |
| 13 | 9131111-01 | 9131111-01 | 9131111-01 | Float |
| 14 | 9131026-02 | 9131026-02 | 9131026-02 | Caplug (Float Deflector) |
| 15 | 9161076-02 | 9161076-02 | 9161076-02 | Water Pump |
| 16 | 9021010-04 | 9021010-04 | 9021010-04 | Clamp |
| 17 | 9021010-04 | 9021010-04 | 9021010-04 | Clamp |
| 18 | 9051142-02 | 9051142-01 | 9051142-01 | Water Pump Tube |
| 19 | 3032898-26 | 3032898-26 | 3032898-26 | Water Float Tubing (26 Inches required) |
| 20 | 9091083-01 | 9091083-01 | 9091083-01 | Water Inlet Fitting |
| 21 | 9091074-01 | 9091074-01 | 9091074-01 | Drop Adapter |
| 22 | 9041086-02 | 9041086-02 | 9041086-02 | Purge Valve |
| 23 | 9021010-04 | 9021010-04 | 9021010-04 | Clamp |
| 24 | 9051280-11 | 9051280-11 | 9051280-11 | Purge Drain Hose |
| 25 | 9021010-03 | 9021010-03 | 9021010-03 | Clamp |
| 26 | 9091140-01 | 9091140-01 | 9091140-01 | Purge Drain Fitting |

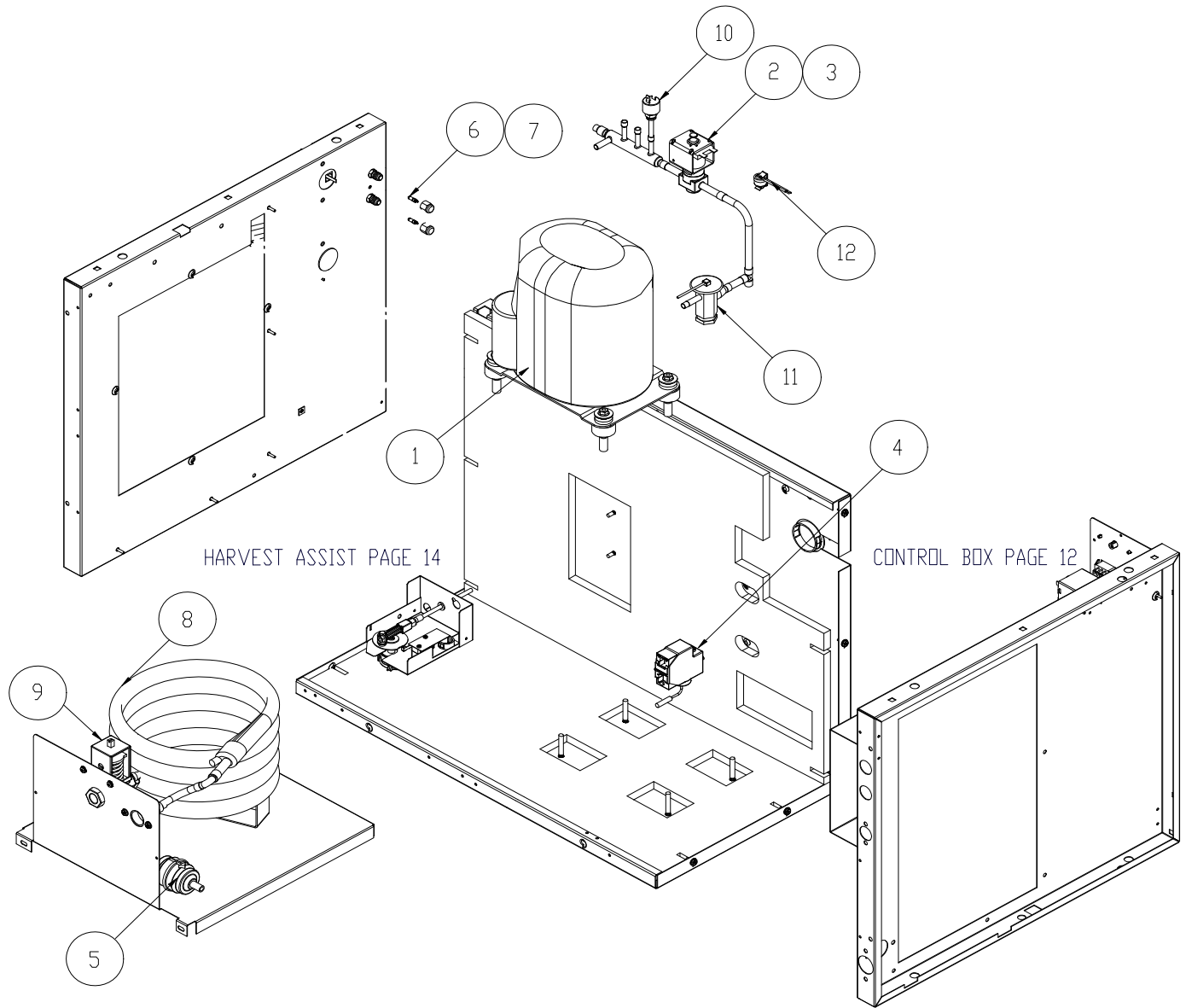


ICE Series Service Parts

Air Cooled and Top Air Discharge

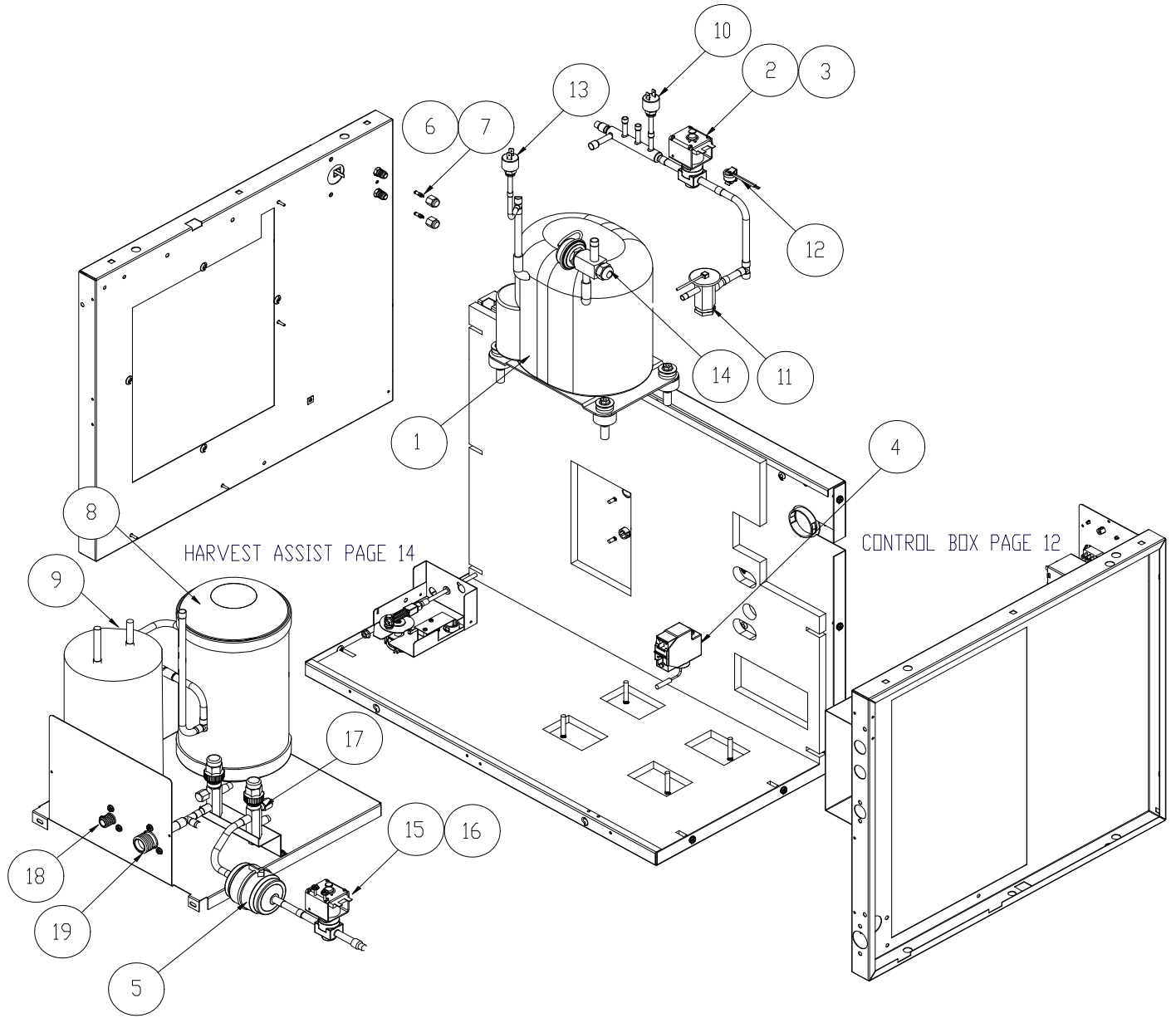
| Item No. | Model Number | | | | | Description |
|----------|--------------|------------|------------|------------|------------|---------------------------------------|
| | ICE0250A | ICE0400A | ICE0406A | ICE0500A | ICE0606A | |
| 1 | 9181121-11 | 9181121-11 | 9181126-11 | 9181124-11 | 9181125-11 | Compressor Kit |
| 2 | 9151123-01 | 9151123-01 | 9151123-01 | 9151123-01 | 9151123-01 | Hot Gas Valve Body |
| 3 | 9151123-03 | 9151123-03 | 9151123-04 | 9151123-03 | 9151123-04 | Hot Gas Valve Coil |
| 4 | 9041094-01 | 9041094-01 | 9041094-01 | 9041094-01 | 9041094-01 | Low Pressure Control |
| 5 | 9151004-02 | 9151004-02 | 9151004-02 | 9151004-02 | 9151004-02 | Filter Drier |
| 6 | 9091086-02 | 9091086-02 | 9091086-02 | 9091086-02 | 9091086-02 | Service Valve Core |
| 7 | 9091086-03 | 9091086-03 | 9091086-03 | 9091086-03 | 9091086-03 | Service Valve Cap |
| 8 | 9141106-01 | 9141106-01 | 9141106-01 | 9141120-01 | 9141120-01 | Condenser |
| 9 | 9041096-01 | 9041096-01 | 9041096-01 | 9041096-01 | 9041096-01 | Fan Control |
| 10 | 9041091-01 | 9041091-01 | 9041091-01 | 9041091-01 | 9041091-01 | High Pressure Control |
| 11 | 9151154-01 | 9151149-01 | 9151149-01 | 9151149-01 | 9151151-01 | Expansion Valve |
| 12 | 3013112-01 | 3013112-01 | 3013112-01 | 3013112-01 | 3013112-01 | Fan Shroud |
| 13 | 9131332-02 | 9131332-02 | 9131332-02 | 9131332-02 | 9131332-02 | Fan Blade |
| | 9131383-01 | | | | | Fan Blade from SN 07121280011747 |
| | | | | 9131383-01 | | Fan Blade from SN 07111280012633 |
| 14 | 9161089-02 | 9161089-02 | 9161089-03 | 9161089-02 | 9161089-03 | Fan Motor |
| | 9161078-01 | | | | | Fan Motor from SN 07121280011747 |
| | | | | 9161078-01 | | Fan Motor from SN 07111280012633 |
| 15 | 3012527-01 | 3012527-01 | 3012527-01 | 3012527-01 | 3012527-01 | Fan Motor Bracket |
| | 3013252-01 | | | | | Fan Mtr. Brkt. from SN 07121280011747 |
| | | | | 3013252-01 | | Fan Mtr. Brkt. from SN 07111280012633 |
| 16 | 9091136-01 | 9091136-01 | 9091136-01 | 9091136-01 | N/A | Restrictor |
| 17 | 9131332-02 | 9131332-02 | 9131332-02 | 9131332-02 | 9131332-02 | Fan Blade (Top Air Discharge) |
| 18 | 3012725-01 | 3012725-01 | 3012725-01 | 3012725-01 | 3012725-01 | Fan Shroud (Top Air Discharge) |
| 19 | 9161089-02 | 9161089-02 | 9161089-03 | 9161089-02 | 9161089-03 | Fan Motor (Top Air Discharge) |
| 20 | 3012527-01 | 3012527-01 | 3012527-01 | 3012527-01 | 3012527-01 | Fan Motor Bracket (Top Air Discharge) |
| 21 | 9041098-01 | 9041098-01 | 9041098-01 | 9041098-01 | 9041098-01 | High Temperature Safety Control |

| Item No. | Model Number | | | Description |
|----------|--------------|------------|------------|---------------------------------------|
| | ICE0305A | ICE0405A | ICE0605A | |
| 1 | 9181127-11 | 9181127-11 | 9181128-11 | Compressor Kit |
| 2 | 9151123-01 | 9151123-01 | 9151123-01 | Hot Gas Valve Body |
| 3 | 9151123-04 | 9151123-04 | 9151123-04 | Hot Gas Valve Coil |
| 4 | 9041094-01 | 9041094-01 | 9041094-01 | Low Pressure Control |
| 5 | 9151004-02 | 9151004-02 | 9151004-02 | Filter Drier |
| 6 | 9091086-02 | 9091086-02 | 9091086-02 | Service Valve Core |
| 7 | 9091086-03 | 9091086-03 | 9091086-03 | Service Valve Cap |
| 8 | 9141106-01 | 9141106-01 | 9141120-01 | Condenser |
| 9 | 9041096-01 | 9041096-01 | 9041096-01 | Fan Control |
| 10 | 9041091-01 | 9041091-01 | 9041091-01 | High Pressure Control |
| 11 | 9151154-01 | 9151149-01 | 9151149-01 | Expansion Valve |
| 12 | 3013112-01 | 3013112-01 | 3013112-01 | Fan Shroud |
| 13 | 9131383-01 | 9131383-01 | 9131383-01 | Fan Blade |
| 14 | 9161078-02 | 9161078-02 | 9161078-02 | Fan Motor |
| 15 | 2021612-01 | 2021612-01 | 3013109-01 | Fan Motor Bracket |
| 16 | N/A | 9091136-01 | N/A | Restrictor |
| 17 | N/A | N/A | N/A | Fan Blade (Top Air Discharge) |
| 18 | N/A | N/A | N/A | Fan Shroud (Top Air Discharge) |
| 19 | N/A | N/A | N/A | Fan Motor (Top Air Discharge) |
| 20 | N/A | N/A | N/A | Fan Motor Bracket (Top Air Discharge) |
| 21 | 9041098-01 | 9041098-01 | 9041098-01 | High Temperature Safety Control |



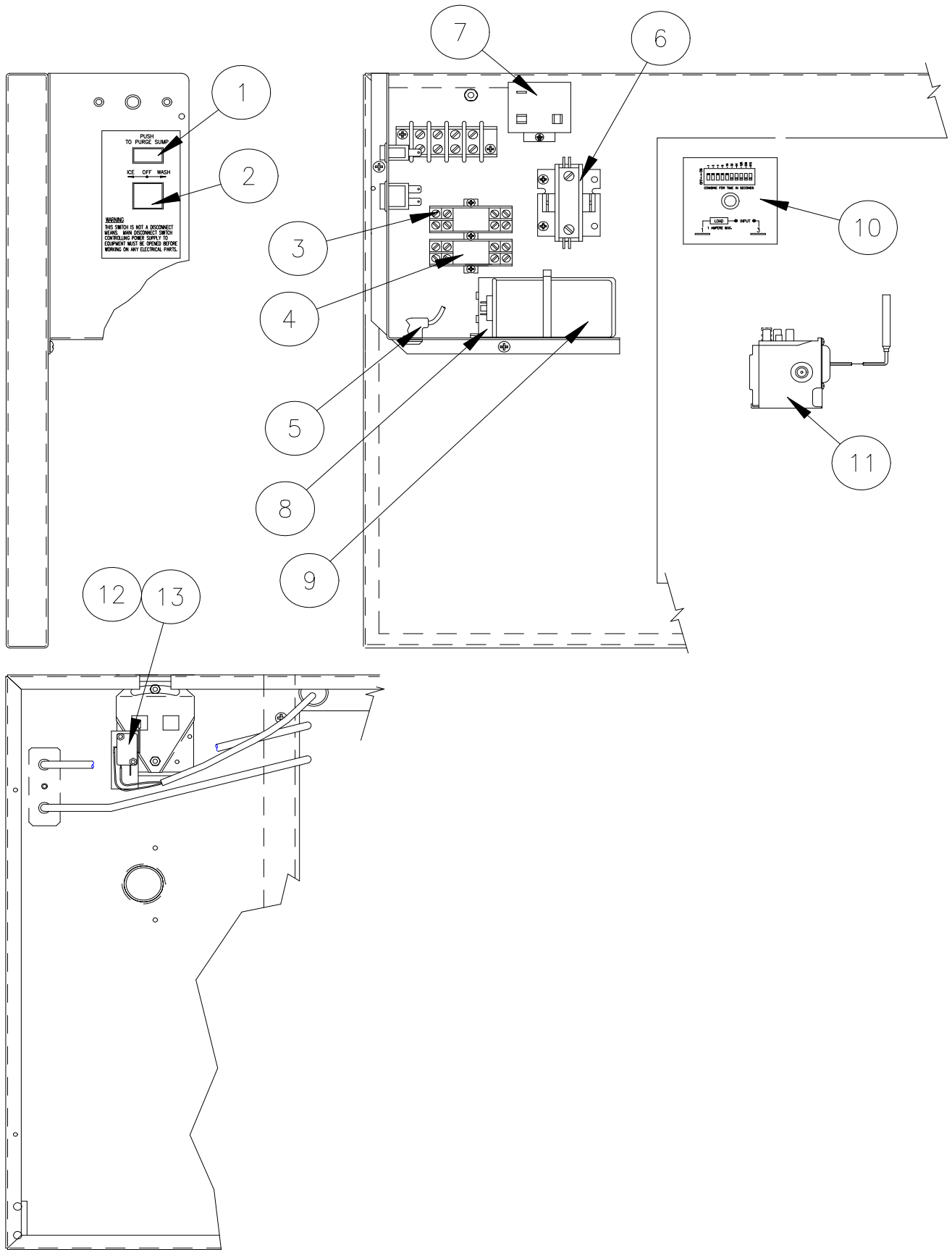
| Item No. | Model Number | | | | | Description |
|----------|--------------|------------|------------|------------|------------|---------------------------------|
| | ICE0250W | ICE0400W | ICE0406W | ICE0500W | ICE0606W | |
| 1 | 9181121-11 | 9181121-11 | 9181126-11 | 9181124-11 | 9181125-11 | Compressor |
| 2 | 9151123-01 | 9151123-01 | 9151123-01 | 9151123-01 | 9151123-01 | Hot Gas Valve Body |
| 3 | 9151023-03 | 9151023-03 | 9151123-04 | 9151023-03 | 9151123-04 | Hot Gas Valve Coil |
| 4 | 9041094-01 | 9041094-01 | 9041094-01 | 9041094-01 | 9041094-01 | Low Pressure Control |
| 5 | 9151004-02 | 9151004-02 | 9151004-02 | 9151004-02 | 9151004-02 | Filter Drier |
| 6 | 9091086-02 | 9091086-02 | 9091086-02 | 9091086-02 | 9091086-02 | Service Valve Core |
| 7 | 9091086-03 | 9091086-03 | 9091086-03 | 9091086-03 | 9091086-03 | Service Valve Cap |
| 8 | 9141061-01 | 9141023-01 | 9141023-01 | 9141024-01 | 9141024-01 | Condenser |
| 9 | 9041059-01 | 9041059-01 | 9041059-01 | 9041059-01 | 9041059-01 | Water Valve |
| 10 | 9041091-01 | 9041091-01 | 9041091-01 | 9041091-01 | 9041091-01 | High Pressure Control |
| 11 | 9151154-01 | 9151149-01 | 9151149-01 | 9151149-01 | 9151151-01 | Expansion Valve |
| 12 | 9041098-01 | 9041098-01 | 9041098-01 | 9041098-01 | 9041098-01 | High Temperature Safety Control |

| Item No. | Model Number | | | Description |
|----------|--------------|------------|------------|---------------------------------|
| | ICE0305W | ICE0405W | ICE0605W | |
| 1 | 9181127-11 | 9181127-11 | 9181128-11 | Compressor |
| 2 | 9151123-01 | 9151123-01 | 9151123-01 | Hot Gas Valve Body |
| 3 | 9151123-04 | 9151123-04 | 9151123-04 | Hot Gas Valve Coil |
| 4 | 9041094-01 | 9041094-01 | 9041094-01 | Low Pressure Control |
| 5 | 9151004-02 | 9151004-02 | 9151004-02 | Filter Drier |
| 6 | 9091086-02 | 9091086-02 | 9091086-02 | Service Valve Core |
| 7 | 9091086-03 | 9091086-03 | 9091086-03 | Service Valve Cap |
| 8 | 9141061-01 | 9141023-01 | 9141024-01 | Condenser |
| 9 | 9041059-01 | 9041059-01 | 9041059-01 | Water Valve |
| 10 | 9041091-01 | 9041091-01 | 9041091-01 | High Pressure Control |
| 11 | 9151154-01 | 9151149-01 | 9151149-01 | Expansion Valve |
| 12 | 9041098-01 | 9041098-01 | 9041098-01 | High Temperature Safety Control |



| Item No. | Model Number | | | | | Description |
|----------|--------------|---------|---------|------------|------------|---------------------------------|
| | ICE0250 | ICE0400 | ICE0406 | ICE0500R | ICE0606R | |
| 1 | N/A | N/A | N/A | 9151124-11 | 9181125-11 | Compressor |
| 2 | N/A | N/A | N/A | 9151123-01 | 9151123-01 | Hot Gas Valve Body |
| 3 | N/A | N/A | N/A | 9151123-03 | 9151123-04 | Hot Gas Valve Coil |
| 4 | N/A | N/A | N/A | 9041094-01 | 9041094-01 | Low Pressure Control |
| 5 | N/A | N/A | N/A | 9151004-04 | 9151004-04 | Filter Drier |
| 6 | N/A | N/A | N/A | 9091086-02 | 9091086-02 | Service Valve Core |
| 7 | N/A | N/A | N/A | 9091086-03 | 9091086-03 | Service Valve Cap |
| 8 | N/A | N/A | N/A | 9151074-01 | 9151074-01 | Receiver |
| 9 | N/A | N/A | N/A | 2091204-01 | N/A | Accumulator |
| 10 | N/A | N/A | N/A | 9041091-01 | 9041091-01 | High Pressure Control |
| 11 | N/A | N/A | N/A | 9151149-01 | 9151151-01 | Expansion Valve |
| 12 | N/A | N/A | N/A | 9041098-01 | 9041098-01 | High Temperature Safety Control |
| 13 | N/A | N/A | N/A | 9041092-02 | 9041092-02 | Pump Down Control |
| 14 | N/A | N/A | N/A | 9151086-01 | N/A | Crankcase Pressure Regulator |
| 15 | N/A | N/A | N/A | 9151123-02 | 9151123-02 | Liquid Line Solenoid Body |
| 16 | N/A | N/A | N/A | 9151123-03 | 9151123-04 | Liquid Line Solenoid Coil |
| 17 | N/A | N/A | N/A | 9091137-01 | 9091137-01 | Valve-Shut Off |
| 18 | N/A | N/A | N/A | 9091001-11 | 9091001-11 | Remote Fitting 3/8 Male |
| 19 | N/A | N/A | N/A | 9091001-12 | 9091001-12 | Remote Fitting 1/2 Male |
| 20 | N/A | N/A | N/A | 9151139-01 | 9151139-01 | Check Valve |

| Item No. | Model Number | | | Description |
|----------|--------------|---------|------------|---------------------------------|
| | ICE0305 | ICE0405 | ICE0605R | |
| 1 | N/A | N/A | 9181128-11 | Compressor |
| 2 | N/A | N/A | 9151123-01 | Hot Gas Valve Body |
| 3 | N/A | N/A | 9151123-04 | Hot Gas Valve Coil |
| 4 | N/A | N/A | 9041094-01 | Low Pressure Control |
| 5 | N/A | N/A | 9151004-04 | Filter Drier |
| 6 | N/A | N/A | 9091086-02 | Service Valve Core |
| 7 | N/A | N/A | 9091086-03 | Service Valve Cap |
| 8 | N/A | N/A | 9151074-01 | Receiver |
| 9 | N/A | N/A | N/A | Accumulator |
| 10 | N/A | N/A | 9041091-01 | High Pressure Control |
| 11 | N/A | N/A | 9151149-01 | Expansion Valve |
| 12 | N/A | N/A | 9041098-01 | High Temperature Safety Control |
| 13 | N/A | N/A | 9041092-02 | Pump Down Control |
| 14 | N/A | N/A | N/A | Crankcase Pressure Regulator |
| 15 | N/A | N/A | 9151123-02 | Liquid Line Solenoid Body |
| 16 | N/A | N/A | 9151123-04 | Liquid Line Solenoid Coil |
| 17 | N/A | N/A | 9091137-01 | Valve-Shut Off |
| 18 | N/A | N/A | 9091001-11 | Remote Fitting 3/8 Male |
| 19 | N/A | N/A | 9091001-12 | Remote Fitting 1/2 Male |
| 20 | N/A | N/A | 9151139-01 | Check Valve |



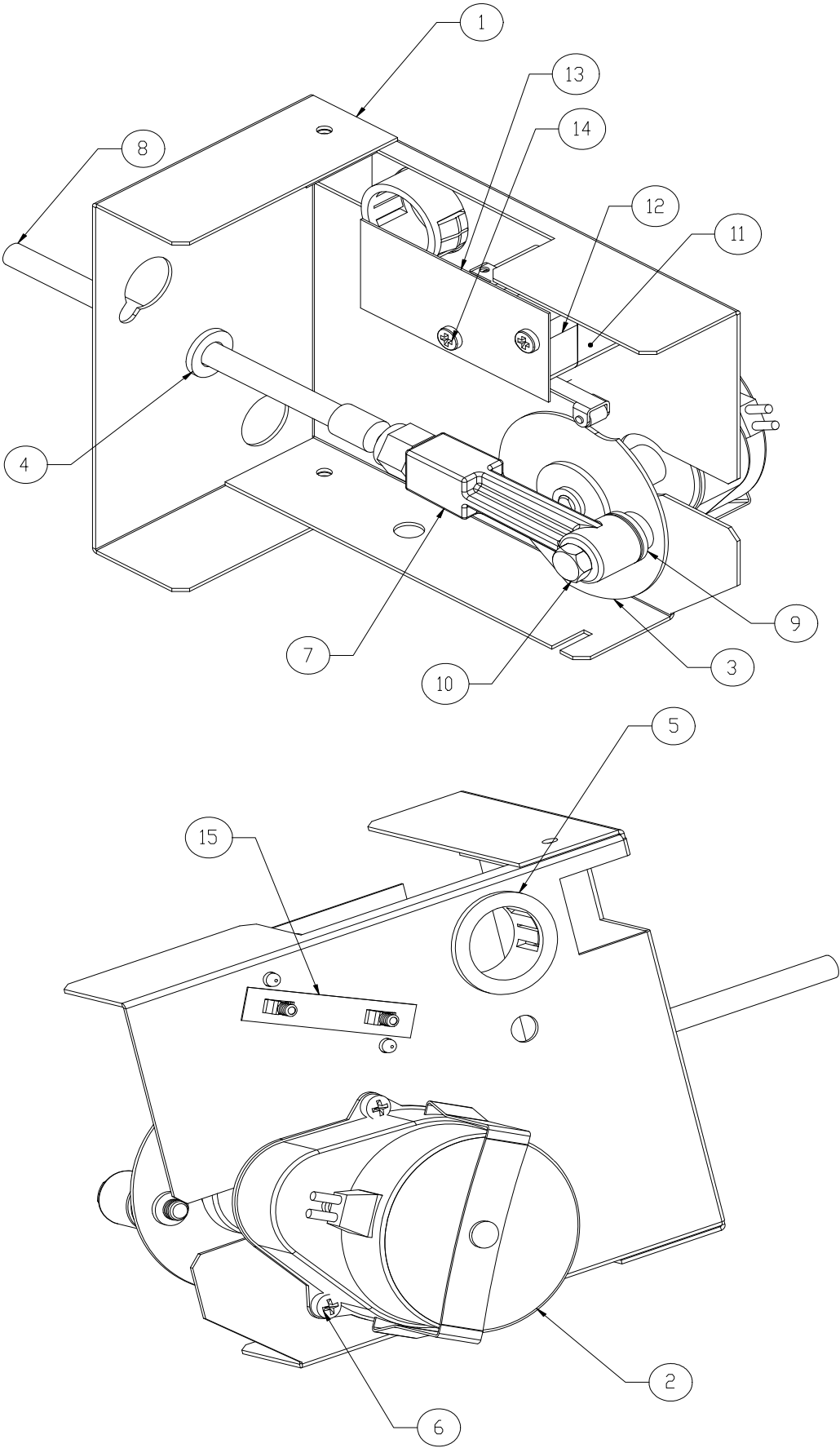
| Item No. | Model Number | | | | | Description |
|----------|--------------|------------|------------|------------|------------|-----------------------------|
| | ICE0250 | ICE0400 | ICE0406 | ICE0500 | ICE0606 | |
| 1 | 9101139-03 | 9101139-03 | 9101139-03 | 9101139-03 | 9101139-03 | Purge Switch |
| 2 | 9101195-01 | 9101195-01 | 9101195-01 | 9101195-01 | 9101195-01 | ON-OFF-WASH Switch |
| 3 | 9101083-01 | 9101083-01 | 9101083-01 | 9101083-01 | 9101083-01 | Relay Socket |
| 4 | 9101084-01 | 9101084-01 | 9101084-02 | 9101084-01 | 9101084-02 | Relay |
| 5 | 9101218-12 | 9101218-12 | 9101218-12 | 9101218-12 | 9101218-12 | Water Pump Cord |
| 6 | 9101002-07 | 9101002-03 | 9101002-04 | 9101002-03 | 9101002-04 | Contactora |
| 7 | 9181004-27 | 9181004-27 | 9181004-07 | 9181010-12 | 9181010-10 | Compressor Start Relay |
| 8 | 9181003-39 | 9181003-39 | 9181003-45 | 9181003-40 | 9181003-19 | Start Capacitor |
| 9 | N/A | N/A | 9181009-08 | 9181009-11 | 9181009-16 | Run Capacitor |
| 10 | 9101148-01 | 9101148-01 | 9101148-01 | 9101148-01 | 9101148-01 | Timer |
| 11 | 9041094-01 | 9041094-01 | 9041094-01 | 9041094-01 | 9041094-01 | Low Pressure Timer Initiate |
| 12 | 2061471-03 | 2061471-03 | 2061471-03 | 2061471-03 | 2061471-03 | Curtain Switch Assembly |
| 13 | 9101124-02 | 9101124-02 | 9101124-02 | 9101124-02 | 9101124-02 | Curtain Switch |

| Item No. | Model Number | | | Description |
|----------|--------------|------------|------------|-----------------------------|
| | ICE0305 | ICE0405 | ICE0605 | |
| 1 | 9101139-03 | 9101139-03 | 9101139-03 | Purge Switch |
| 2 | 9101195-01 | 9101195-01 | 9101195-01 | ON-OFF-WASH Switch |
| 3 | 9101083-01 | 9101083-01 | 9101083-01 | Relay Socket |
| 4 | 9101084-02 | 9101084-02 | 9101084-02 | Relay |
| 5 | 9101218-12 | 9101218-12 | 9101218-12 | Water Pump Cord |
| 6 | 9101002-04 | 9101002-04 | 9101002-04 | Contactora |
| 7 | 9181004-04 | 9181004-04 | 9181010-10 | Compressor Start Relay |
| 8 | 9181003-45 | 9181003-45 | 9181003-44 | Start Capacitor |
| 9 | N/A | N/A | 9181009-17 | Run Capacitor |
| 10 | 9101148-01 | 9101148-01 | 9101148-01 | Timer |
| 11 | 9041094-01 | 9041094-01 | 9041094-01 | Low Pressure Timer Initiate |
| 12 | 2061471-03 | 2061471-03 | 2061471-03 | Curtain Switch Assembly |
| 13 | 9101124-02 | 9101124-02 | 9101124-02 | Curtain Switch |

Compressor Components

| Model Number | | | | | Description |
|--------------|------------|------------|------------|------------|-----------------|
| ICE0250 | ICE0400 | ICE0406 | ICE0500 | ICE0606 | |
| 9181121-01 | 9181121-01 | 9181126-01 | 9181124-01 | 9181125-01 | Compressor |
| 9181005-37 | 9181005-37 | 9181005-44 | 9181005-43 | Internal | Overload |
| 9181004-27 | 9181004-27 | 9181010-29 | 9181010-28 | 9181010-10 | Relay |
| 9181003-39 | 9181003-39 | 9181003-45 | 9181003-40 | 9181003-19 | Start Capacitor |
| N/A | N/A | 9181009-08 | 9181009-11 | 9181009-16 | Run Capacitor |

| Model Number | | | Description |
|--------------|------------|------------|-----------------|
| ICE0305 | ICE0405 | ICE0605 | |
| 9181127-01 | 9181127-01 | 9181128-01 | Compressor |
| 9181005-44 | 9181005-44 | Internal | Overload |
| 9181010-30 | 9181010-30 | 9181010-10 | Relay |
| 9181003-45 | 9181003-45 | 9181003-44 | Start Capacitor |
| 9181009-08 | 9181009-08 | 9181009-17 | Run Capacitor |

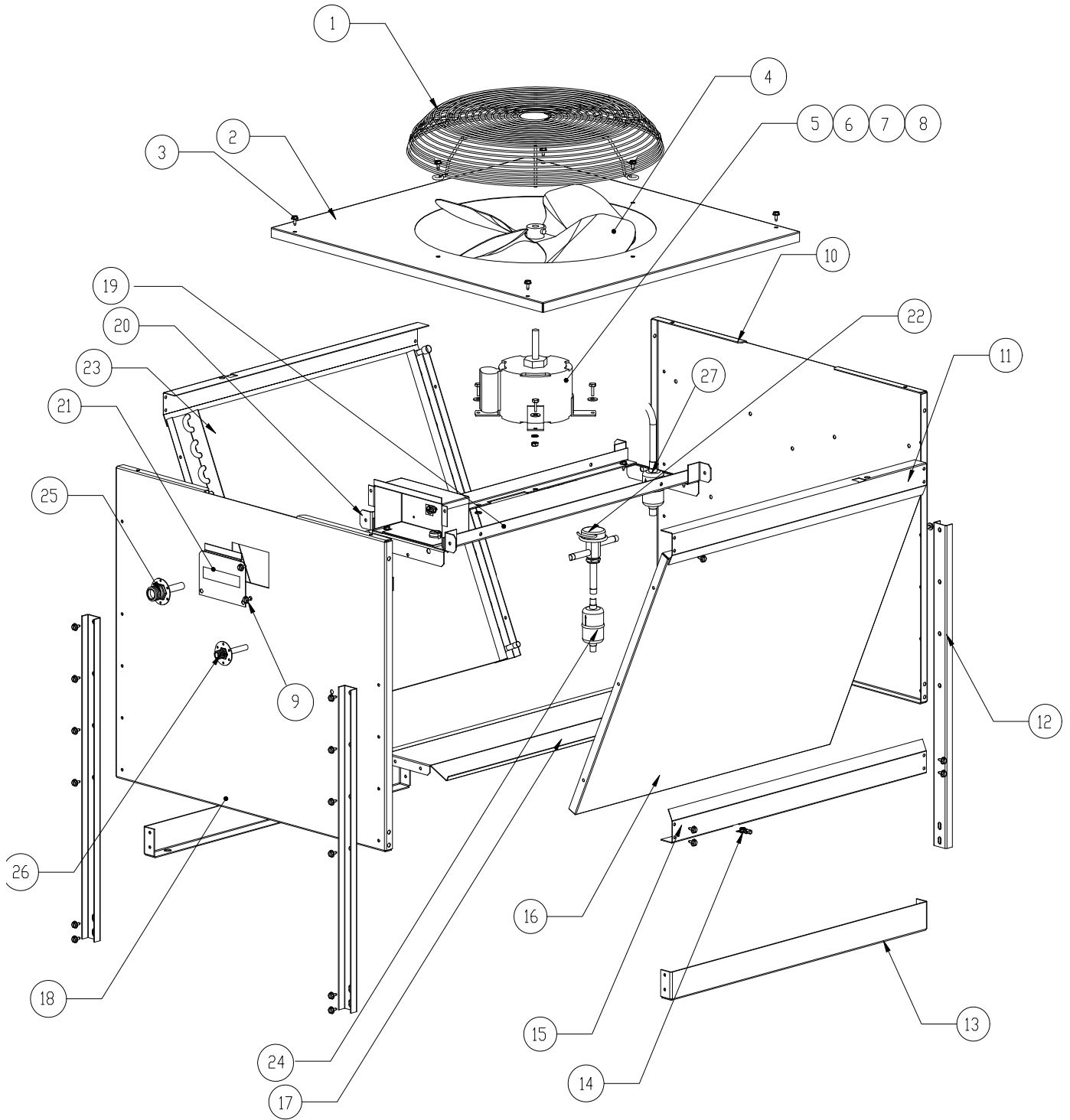


ICE Series Service Parts

Harvest Assist Assembly

| Item No. | Model Number | | | | | Description |
|----------|--------------|-------------|-------------|-------------|-------------|----------------------------------|
| | ICE0250 | ICE0400 | ICE0406 | ICE0500 | ICE0606 | |
| 1 | 3013170-01 | 3013170-01 | 3013170-01 | 3013170-01 | 3013170-01 | Bracket, Probe Motor |
| 2 | 9161030-01 | 9161030-01 | 9161031-01 | 9161030-01 | 9161031-01 | Gear Motor |
| 3 | 9131190-01 | 9131190-01 | 9131190-01 | 9131190-01 | 9131190-01 | Clutch Assembly 180 Degree |
| 4 | 9051001-13 | 9051001-13 | 9051001-13 | 9051001-13 | 9051001-13 | Snap Bushing |
| 5 | 9051001-03 | 9051001-03 | 9051001-03 | 9051001-03 | 9051001-03 | Snap Bushing |
| 6 | 9031019-08 | 9031019-08 | 9031019-08 | 9031019-08 | 9031019-08 | #6-32 x 1/2 Fillister Head Screw |
| 7 | 9051057-01 | 9051057-01 | 9051057-01 | 9051057-01 | 9051057-01 | Connecting Rod |
| 8 | 9021102-01 | 9021102-01 | 9021102-01 | 9021102-01 | 9021102-01 | Probe, Single Length |
| 9 | 9031003-03 | 9031003-03 | 9031003-03 | 9031003-03 | 9031003-03 | Plain Flat Washer |
| 10 | 9031119-01 | 9031119-01 | 9031119-01 | 9031119-01 | 9031119-01 | Shoulder Screw |
| 11 | 9051519-01 | 9051519-01 | 9051519-01 | 9051519-01 | 9051519-01 | Spacer, Cam Switch |
| 12 | 9101160-01 | 9101160-01 | 9101160-01 | 9101160-01 | 9101160-01 | Cam Switch |
| 13 | 3051145-02 | 3051145-02 | 3051145-02 | 3051145-02 | 3051145-02 | Insulator, Switch |
| 14 | 9031008-44 | 9031008-44 | 9031008-44 | 9031008-44 | 9031008-44 | Pan Head Machine Screw |
| 15 | 9031120-01 | 9031120-01 | 9031120-01 | 9031120-01 | 9031120-01 | Speed Nut Plate |
| | 2061962-01S | 2061962-01S | 2061962-02S | 2061962-01S | 2061962-02S | Complete Assembly |

| Item No. | Model Number | | | Description |
|----------|--------------|-------------|-------------|----------------------------------|
| | ICE0305 | ICE0405 | ICE0605 | |
| 1 | 3013170-01 | 3013170-01 | 3013170-01 | Bracket, Probe Motor |
| 2 | 9161031-01 | 9161031-01 | 9161031-01 | Gear Motor |
| 3 | 9131190-01 | 9131190-01 | 9131190-01 | Clutch Assembly 180 Degree |
| 4 | 9051001-13 | 9051001-13 | 9051001-13 | Snap Bushing |
| 5 | 9051001-03 | 9051001-03 | 9051001-03 | Snap Bushing |
| 6 | 9031019-08 | 9031019-08 | 9031019-08 | #6-32 x 1/2 Fillister Head Screw |
| 7 | 9051057-01 | 9051057-01 | 9051057-01 | Connecting Rod |
| 8 | 9021102-01 | 9021102-01 | 9021102-01 | Probe, Single Length |
| 9 | 9031003-03 | 9031003-03 | 9031003-03 | Plain Flat Washer |
| 10 | 9031119-01 | 9031119-01 | 9031119-01 | Shoulder Screw |
| 11 | 9051519-01 | 9051519-01 | 9051519-01 | Spacer, Cam Switch |
| 12 | 9101160-01 | 9101160-01 | 9101160-01 | Cam Switch |
| 13 | 3051145-02 | 3051145-02 | 3051145-02 | Insulator, Switch |
| 14 | 9031008-44 | 9031008-44 | 9031008-44 | Pan Head Machine Screw |
| 15 | 9031120-01 | 9031120-01 | 9031120-01 | Speed Nut Plate |
| | 2061962-02S | 2061962-02S | 2061962-02S | Complete Assembly |



| Item No. | Model Number | | Description |
|----------|--------------|------------|-----------------------------|
| | VRC1001 | VRC1061 | |
| 1 | 9131452-01 | 9131452-01 | Fan Guard |
| 2 | 3013222-01 | 3013222-01 | Top Panel |
| 3 | 9031019-04 | 9031019-04 | ¼-20 x 1/2 Screw |
| 4 | 9131451-01 | 9131451-01 | Fan Blade |
| 5 | 9161117-02 | 9161117-01 | Fan Motor |
| 6 | 9031001-02 | 9031001-02 | ¼-20 x ¾ Cap Screw |
| 7 | 9031003-01 | 9031003-01 | Flat Washer |
| 8 | 9031118-02 | 9031118-02 | Flanged Lock Nut ¼-20 |
| 9 | 9031019-04 | 9031019-04 | ¼-20 x 1/2 Screw |
| 10 | 3013224-01 | 3013224-01 | Rear Panel |
| 11 | 3013226-01 | 3013226-01 | Brace |
| 12 | 3013227-01 | 3013227-01 | Leg |
| 13 | 3013228-01 | 3013228-01 | Leg Brace |
| 14 | N/A | N/A | T-Nut-Shipping Only |
| 15 | 3013226-01 | 3013226-01 | Brace |
| 16 | 3013232-01 | 3013232-01 | Cover Panel |
| 17 | 3013225-01 | 3013225-01 | Center Panel |
| 18 | 3013223-01 | 3013223-01 | Front Panel |
| 19 | 3013234-01 | 3013234-01 | Motor Brace |
| 20 | 3013233-01 | 3013233-01 | Motor Brace Support |
| 21 | 3013229-01 | 3013229-01 | Junction Box Cover |
| 22 | 9151142-02 | 9151142-02 | Head Pressure Control Valve |
| 23 | 9141130-01 | 9141130-01 | Condenser |
| 24 | 9151143-01 | 9151143-01 | Filter |
| 25 | 9091001-12 | 9091001-12 | 1/2 Coupling |
| 26 | 9091001-11 | 9091001-11 | 3/8 Coupling |
| 27 | 9151143-02 | 9151143-02 | Filter |

ICE0500R ICE0606R
 ICE0605R