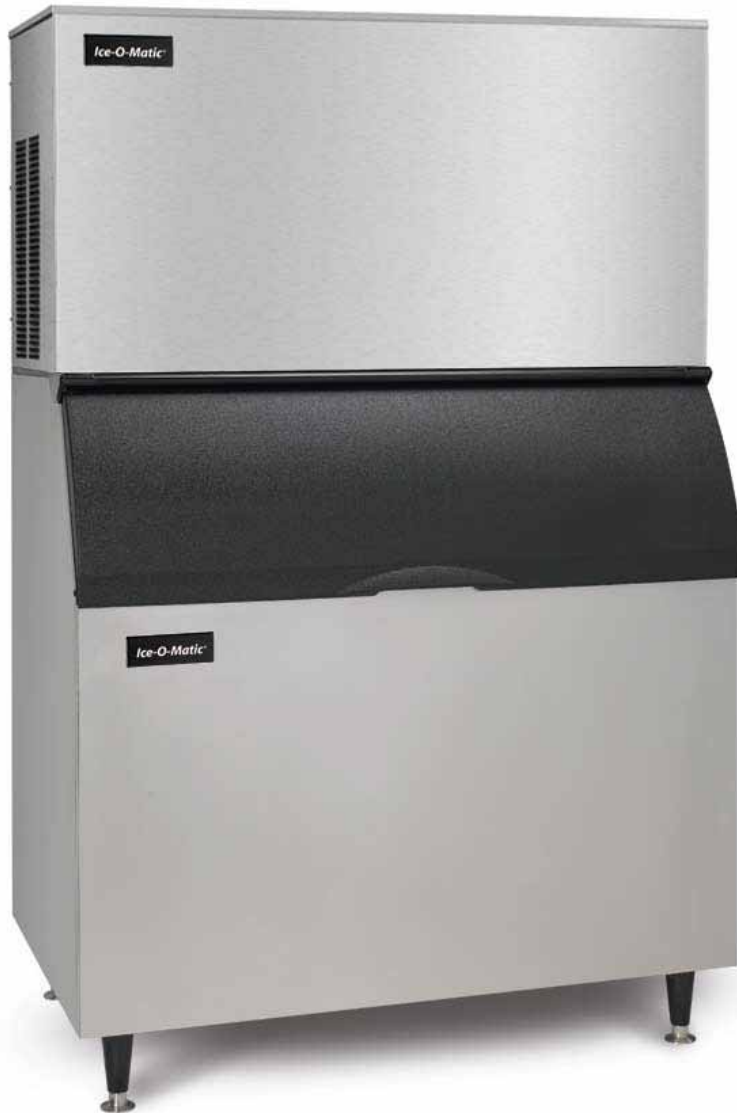


Ice-O-Matic[®]

**SERVICE PARTS MANUAL
ICE SERIES CUBERS
MODEL-ICE1406, ICE1806, ICE2106
Includes 50Hz. And 3 Phase Units**



**ICE-O-Matic
11100 East 45th Ave
Denver, Colorado 80239**

Part Number 9081308-01

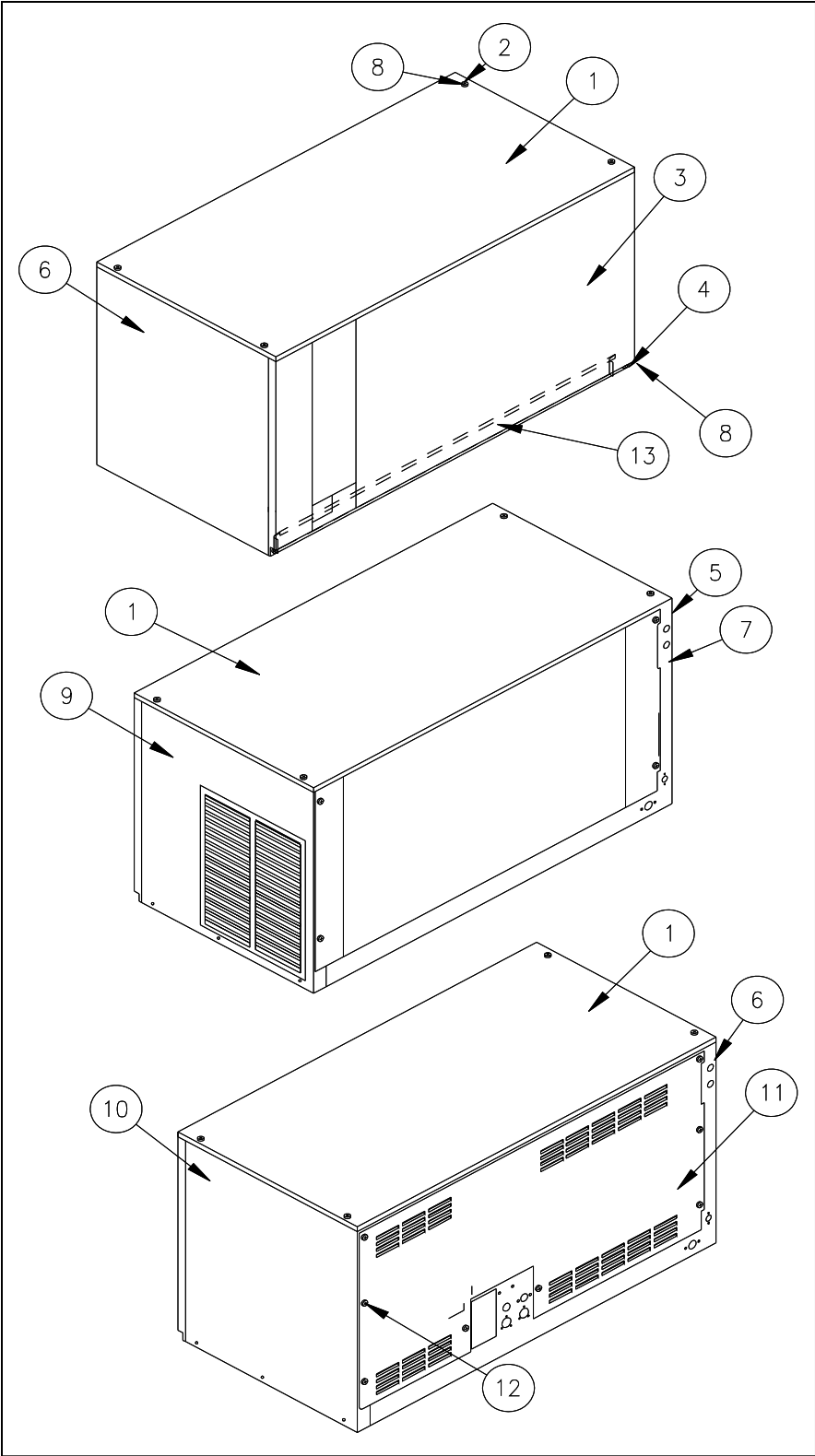
Rev. 9/06

Check carefully that the correct part is identified and ordered.

| | |
|--|---------------------|
| Table of Contents | Page 1 |
| Exterior Components | Page 2 - 3 |
| Interior Components-Front View | Page 4 - 5 |
| Air Cooled | Page 6 - 7 |
| Water Cooled | Page 8 - 9 |
| Remote | Page 10 - 11 |
| Control Box | Page 12 - 13 |
| Specific Compressor Components | Page 13 |
| Old Style Harvest Assist Assembly | Page 14 - 15 |
| New Style Harvest Assist Assembly | Page 16 - 17 |
| Remote Condenser | Page 18 - 19 |
| Water Pump and Float | Page 20 - 21 |
| Compressor Information | Page 22 |

Ice-O-Matic
11100 East 45th Ave.
Denver Co. 80239
866-PUREICE

The ICE Series Service manual is available separately, Part number 9081270-01

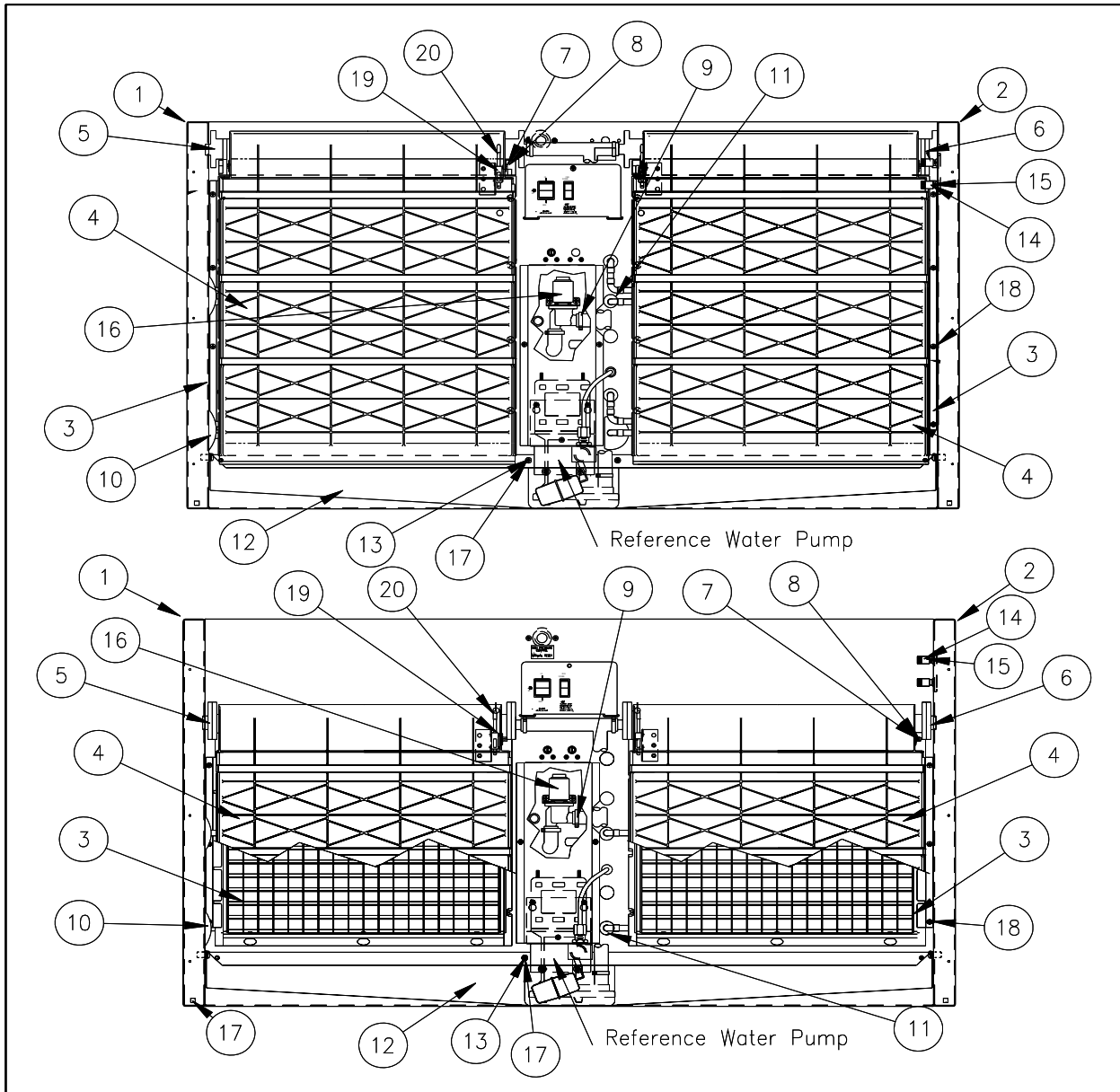


ICE Series Service Parts

Exterior Components

| Item No. | Description | Model Number | | | | |
|----------|--------------------------------|--------------|------------|------------|------------|------------|
| | | ICE1806 | ICE1807 | ICE2005 | ICE2106 | ICE2107 |
| 1 | Top Panel | 3051235-01 | 3051235-01 | 3051235-01 | 3051235-01 | 3051235-01 |
| 2 | Top Panel Screw | 9031098-02 | 9031098-02 | 9031098-02 | 9031098-02 | 9031098-02 |
| 3 | Front Panel | 2031465-05 | 2031465-05 | 2031465-05 | 2031465-05 | 2031465-05 |
| 4 | Front Panel Screw | 9031098-02 | 9031098-02 | 9031098-02 | 9031098-02 | 9031098-02 |
| 5 | LH Side Panel- Louvered | N/A | N/A | N/A | N/A | N/A |
| 6 | LH Side Panel- Solid | 3021773-01 | 3021773-01 | 3021773-01 | 3021773-01 | 3021773-01 |
| 7 | Side Panel Screws | 9031046-02 | 9031046-02 | 9031046-02 | 9031046-02 | 9031046-02 |
| 8 | Plastic Nut Insert | 9031141-01 | 9031141-01 | 9031141-01 | 9031141-01 | 9031141-01 |
| 9 | RH Side Panel- Louvered | N/A | N/A | N/A | N/A | N/A |
| 10 | RH Side Panel- Solid | 3021775-01 | 3021775-01 | 3021775-01 | 3021775-01 | 3021775-01 |
| 11 | Rear Panel | 3021792-01 | 3021792-01 | 3021792-01 | 3021792-01 | 3021792-01 |
| 12 | Rear Panel Screw | 9031046-01 | 9031046-01 | 9031046-01 | 9031046-01 | 9031046-01 |
| 13 | Ice Deflector | 3011756-01 | 3011756-01 | 3011756-01 | 3011756-01 | 3011756-01 |

| Item No. | Description | Model Number | | |
|----------|--------------------------------|--------------|------------|------------|
| | | ICE1405 | ICE1406 | ICE1407 |
| 1 | Top Panel | 3051235-01 | 3051235-01 | 3051235-01 |
| 2 | Top Panel Screw | 9031098-02 | 9031098-02 | 9031098-02 |
| 3 | Front Panel | 2031465-05 | 2031465-05 | 2031465-05 |
| 4 | Front Panel Screw | 9031098-02 | 9031098-02 | 9031098-02 |
| 5 | LH Side Panel- Louvered | 2031468-03 | 2031468-03 | 2031468-03 |
| 6 | LH Side Panel- Solid | 3021773-01 | 3021773-01 | 3021773-01 |
| 7 | Side Panel Screws | 9031046-02 | 9031046-02 | 9031046-02 |
| 8 | Plastic Nut Insert | 9031141-01 | 9031141-01 | 9031141-01 |
| 9 | RH Side Panel- Louvered | 2031468-02 | 2031468-02 | 2031468-02 |
| 10 | RH Side Panel- Solid | 3021775-01 | 3021775-01 | 3021775-01 |
| 11 | Rear Panel | 3021792-01 | 3021792-01 | 3021792-01 |
| 12 | Rear Panel Screw | 9031046-01 | 9031046-01 | 9031046-01 |
| 13 | Ice Deflector | 3011756-01 | 3011756-01 | 3011756-01 |

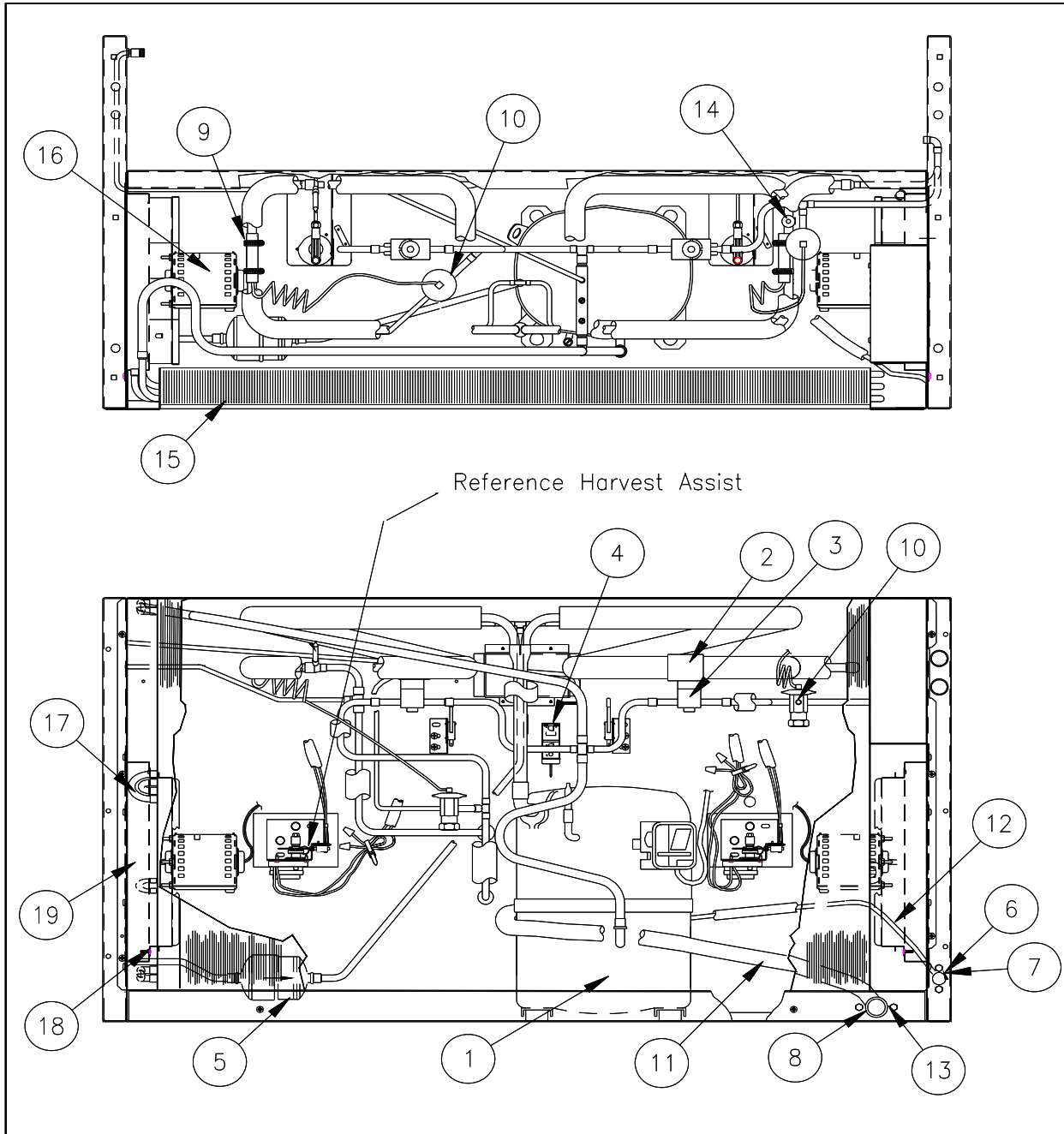


ICE Series Service Parts

Front Interior

| Item No. | Description | Model Number | | | | |
|----------|----------------------------|--------------|------------|------------|------------|------------|
| | | ICE1806 | ICE1807 | ICE2005 | ICE2106 | ICE2107 |
| 1 | Left Hand Frame Panel | 2021547-01 | 2021547-01 | 2021547-01 | 2021547-01 | 2021547-01 |
| 2 | Right Hand Frame Panel | 3012874-01 | 3012874-01 | 3012874-01 | 3012874-01 | 3012874-01 |
| 3 | Evaporator-Full Cube | 2051125-81 | 2051125-81 | 2051125-81 | 2051125-81 | 2051125-81 |
| 3 | Evaporator-Half Cube | 2051125-82 | 2051125-82 | 2051125-82 | 2051125-82 | 2051125-82 |
| 4 | Evaporator Splash Curtain | 3051197-04 | 3051197-04 | 3051197-04 | 3051197-04 | 3051197-04 |
| 5 | Water Distribution Tube LH | 2041338-02 | 2041338-02 | 2041338-02 | 2041338-02 | 2041338-02 |
| 6 | Water Distribution Tube RH | 2041338-01 | 2041338-01 | 2041338-01 | 2041338-01 | 2041338-01 |
| 7 | Thumb Screw | 9031122-01 | 9031122-01 | 9031122-01 | 9031122-01 | 9031122-01 |
| 8 | Rubber Washer | 9031004-19 | 9031004-19 | 9031004-19 | 9031004-19 | 9031004-19 |
| 9 | Clamp | 9021010-04 | 9021010-04 | 9021010-04 | 9021010-04 | 9021010-04 |
| 10 | Tube Washer | 9051237-02 | 9051237-02 | 9051237-02 | 9051237-02 | 9051237-02 |
| 11 | Washer Tapered | 9051238-01 | 9051238-01 | 9051238-01 | 9051238-01 | 9051238-01 |
| 12 | Water Return Trough | 9051201-01 | 9051201-01 | 9051201-01 | 9051201-01 | 9051201-01 |
| 13 | Water Return Trough Screw | 9031046-24 | 9031046-24 | 9031046-24 | 9031046-24 | 9031046-24 |
| 14 | Valve Core | 9091086-02 | 9091086-02 | 9091086-02 | 9091086-02 | 9091086-02 |
| 15 | Valve Cap | 9091086-03 | 9091086-03 | 9091086-03 | 9091086-03 | 9091086-03 |
| 16 | Purge Valve | 9041086-03 | 9041086-03 | 9041086-03 | 9041086-03 | 9041086-03 |
| 17 | Plastic Nut Insert | 9031141-01 | 9031141-01 | 9031141-01 | 9031141-01 | 9031141-01 |
| 18 | Evaporator Mounting Screw | 9031046-01 | 9031046-01 | 9031046-01 | 9031046-01 | 9031046-01 |
| 19 | Bin Switch | 9101145-03 | 9101145-03 | 9101145-03 | 9101145-03 | 9101145-03 |
| 20 | Wire-Curtain Switch | 9131331-01 | 9131331-01 | 9131331-01 | 9131331-01 | 9131331-01 |

| Item No. | Description | Model Number | | |
|----------|----------------------------|--------------|------------|------------|
| | | ICE1405 | ICE1406 | ICE1407 |
| 1 | Left Hand Frame Panel | 2021547-01 | 2021547-01 | 2021547-01 |
| 2 | Right Hand Frame Panel | 3012874-01 | 3012874-01 | 3012874-01 |
| 3 | Evaporator-Full Cube | 2051148-81 | 2051148-81 | 2051148-81 |
| 3 | Evaporator-Half Cube | 2051148-82 | 2051148-82 | 2051148-82 |
| 4 | Evaporator Splash Curtain | 3051197-03 | 3051197-03 | 3051197-03 |
| 5 | Water Distribution Tube LH | 2041338-02 | 2041338-02 | 2041338-02 |
| 6 | Water Distribution Tube RH | 2041338-01 | 2041338-01 | 2041338-01 |
| 7 | Thumb Screw | 9031122-01 | 9031122-01 | 9031122-01 |
| 8 | Rubber Washer | 9031004-19 | 9031004-19 | 9031004-19 |
| 9 | Clamp | 9021010-04 | 9021010-04 | 9021010-04 |
| 10 | Tube Washer | 9051237-02 | 9051237-02 | 9051237-02 |
| 11 | Washer Tapered | 9051238-01 | 9051238-01 | 9051238-01 |
| 12 | Water Return Trough | 9051201-02 | 9051201-02 | 9051201-02 |
| 13 | Water Return Trough Screw | 9031046-24 | 9031046-24 | 9031046-24 |
| 14 | Valve Core | 9091086-02 | 9091086-02 | 9091086-02 |
| 15 | Valve Cap | 9091086-03 | 9091086-03 | 9091086-03 |
| 16 | Purge Valve | 9041086-03 | 9041086-03 | 9041086-03 |
| 17 | Plastic Nut Insert | 9031141-01 | 9031141-01 | 9031141-01 |
| 18 | Evaporator Mounting Screw | 9031046-01 | 9031046-01 | 9031046-01 |
| 19 | Bin Switch | 9101145-03 | 9101145-03 | 9101145-03 |
| 20 | Wire-Curtain Switch | 9131331-01 | 9131331-01 | 9131331-01 |

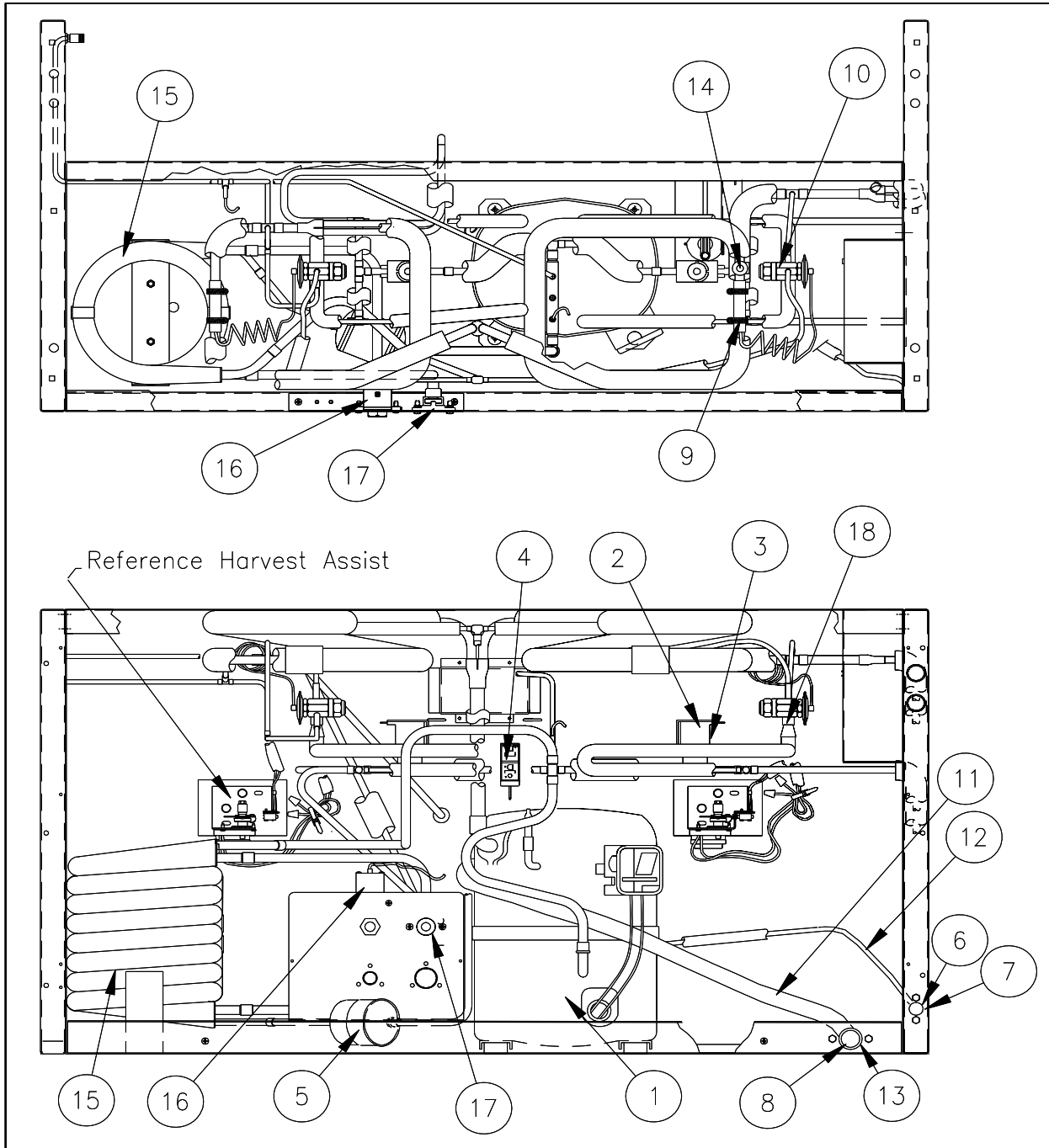


ICE Series Service Parts

Air Cooled

| Item No. | Description | Model Number | | |
|----------|-------------------------------|--------------|------------|------------|
| | | ICE1405 | ICE1406 | ICE1407 |
| 1 | Compressor | 9181094-12 | 9181108-11 | 9181111-12 |
| 2 | Hot Gas Valve Coil | 9151123-04 | 9151123-04 | 9151123-04 |
| 3 | Hot Gas Valve Body | 9151123-01 | 9151123-01 | 9151123-01 |
| 4 | Low Pressure Control | 9041094-01 | 9041094-01 | 9041094-01 |
| 5 | Filter Drier | 9151004-03 | 9151004-03 | 9151004-03 |
| 6 | Drop Adapter | 9091074-01 | 9091074-01 | 9091074-01 |
| 7 | Water Inlet Fitting | 9091083-01 | 9091083-01 | 9091083-01 |
| 8 | Purge Drain Fitting | 9091119-01 | 9091119-01 | 9091119-01 |
| 9 | Clamp-TXV Bulb | 9021040-01 | 9021040-01 | 9021040-01 |
| 10 | TXV | 9151006-08 | 9151006-08 | 9151006-08 |
| 10 | TXV (Beg. D2) | 9151134-01 | 9151134-02 | 9151134-02 |
| 11 | Purge Drain Tube | 6021015-06 | 6021015-06 | 9051280-06 |
| 12 | Tube (3.59 Ft.) | 6021032-01 | 6021032-01 | 6021032-01 |
| 13 | Clamp | 9021010-03 | 9021010-03 | 9021010-03 |
| 14 | High Temp Safety | 9041087-01 | 9041087-01 | 9041087-01 |
| 15 | Air Condenser | 9141114-01 | 9141114-01 | 9141114-01 |
| 16 | Fan Motor | 9161089-03 | 9161089-03 | 9161089-03 |
| 16 | Fan Motor (Beg. Ser. D2)** | 9161078-02 | | |
| 17 | Fan Blade | 9131332-02 | 9131332-02 | 9131332-02 |
| 18 | Fan Motor Bracket | 3012527-01 | 3012527-01 | 3012527-01 |
| 18 | Fan Mtr Brkt (Beg. Ser. D2)** | 2021574-01 | 2021574-01 | 2021574-01 |
| 19 | Fan Shroud | 3013026-01 | 3012526-01 | 3012526-01 |

** When replacing a 9161089-03 with a 9161078-02 in the field, the Fan Bracket (2021574-01) must also be used in the replacement.



ICE1800/2100 Water Cooled Machine Shown

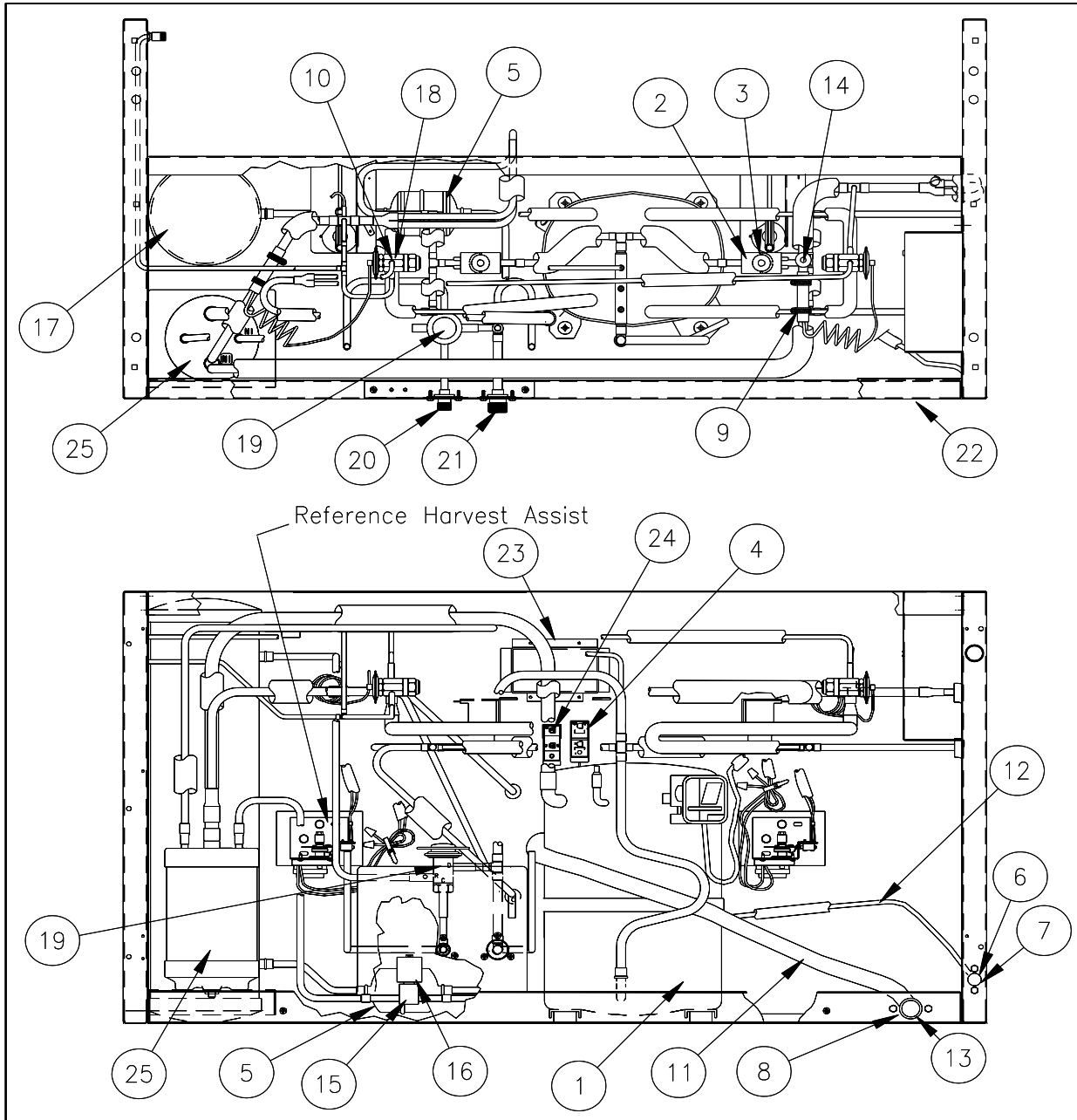
ICE Series Service Parts

Water Cooled

| Item No. | Description | Model Number | | | | |
|----------|----------------------------|--------------|------------|------------|------------|------------|
| | | ICE1806 | ICE1807 | ICE2005 | ICE2106 | ICE2107 |
| 1 | Compressor | 9181108-11 | 9181108-12 | 9181110-13 | 9181123-11 | 9181123-12 |
| 2 | Hot Gas Valve Coil | 9151123-04 | 9151123-04 | 9151123-04 | 9151123-04 | 9151123-04 |
| 3 | Hot Gas Valve Body | 9151123-01 | 9151123-01 | 9151123-01 | 9151123-01 | 9151123-01 |
| 4 | Low Pressure Control | 9041094-01 | 9041094-01 | 9041094-01 | 9041094-01 | 9041094-01 |
| 5 | Filter Drier | 9151004-03 | 9151004-03 | 9151004-03 | 9151004-03 | 9151004-03 |
| 6 | Drop Adapter | 9091074-01 | 9091074-01 | 9091074-01 | 9091074-01 | 9091074-01 |
| 7 | Water Inlet Fitting | 9091083-01 | 9091083-01 | 9091083-01 | 9091083-01 | 9091083-01 |
| 8 | Purge Drain Fitting | 9091119-01 | 9091119-01 | 9091119-01 | 9091119-01 | 9091119-01 |
| 9 | Clamp-TXV Bulb | 9021040-01 | 9021040-01 | 9021040-01 | 9021040-01 | 9021040-01 |
| 10 | TXV | 9151006-15 | 9151006-15 | 9151006-15 | 9151006-15 | 9151006-15 |
| 10 | TXV (Beg. Ser. B2) | 9151134-06 | 9151134-06 | 9151134-06 | 9151134-06 | 9151134-06 |
| 11 | Purge Drain Hose | 9051280-06 | 9051280-06 | 9051280-06 | 9051280-06 | 9051280-06 |
| 12 | Tube (3.59 Ft.) | 6021032-01 | 6021032-01 | 6021032-01 | 6021032-01 | 6021032-01 |
| 13 | Clamp | 9021010-14 | 9021010-14 | 9021010-14 | 9021010-14 | 9021010-14 |
| 14 | High Temp Safety | 9041087-01 | 9041087-01 | 9041087-01 | 9041087-01 | 9041087-01 |
| 15 | Water Condenser | 9141123-01 | 9141123-01 | 9141123-01 | 9141123-01 | 9141123-01 |
| 16 | Water Valve | 9041056-01 | 9041056-01 | 9041056-01 | 9041056-01 | 9041056-01 |
| 17 | Drop Adapter 1/2" | 9091063-02 | 9091063-02 | 9091063-02 | 9091063-02 | 9091063-02 |
| 18 | Expansion Valve Assembly * | 2041686-01 | 2041686-01 | 2041686-01 | 2041686-01 | 2041686-01 |

* Includes Distributor and Tubing

| Item No. | Description | Model Number | | |
|----------|----------------------|--------------|------------|------------|
| | | ICE1405 | ICE1406 | ICE1407 |
| 1 | Compressor | 9181094-12 | 9181108-11 | 9181111-12 |
| 2 | Hot Gas Valve Coil | 9151123-04 | 9151123-04 | 9151123-04 |
| 3 | Hot Gas Valve Body | 9151123-02 | 9151123-02 | 9151123-02 |
| 4 | Low Pressure Control | 9041094-01 | 9041094-01 | 9041094-01 |
| 5 | Filter Drier | 9151004-03 | 9151004-03 | 9151004-03 |
| 6 | Drop Adapter | 9091074-01 | 9091074-01 | 9091074-01 |
| 7 | Water Inlet Fitting | 9091083-01 | 9091083-01 | 9091083-01 |
| 8 | Purge Drain Fitting | 9091119-01 | 9091119-01 | 9091119-01 |
| 9 | Clamp-TXV Bulb | 9021040-01 | 9021040-01 | 9021040-01 |
| 10 | TXV | 9151006-08 | 9151006-08 | 9151006-08 |
| 10 | TXV (Beg. Ser. D2) | 9131134-01 | 9151134-02 | 9151134-02 |
| 11 | Purge Drain Hose | 9051280-06 | 9051280-06 | 9051280-06 |
| 12 | Tube (3.59 Ft.) | 6021032-01 | 6021032-01 | 6021032-01 |
| 13 | Clamp | 9021010-14 | 9021010-14 | 9021010-14 |
| 14 | High Temp Safety | 9041087-01 | 9041087-01 | 9041087-01 |
| 15 | Water Condenser | 9141061-02 | 9141061-02 | 9141061-02 |
| 16 | Water Valve | 9041059-01 | 9041059-01 | 9041059-01 |
| 17 | Drop Adapter 1/2" | 9091063-02 | 9091063-02 | 9091063-02 |



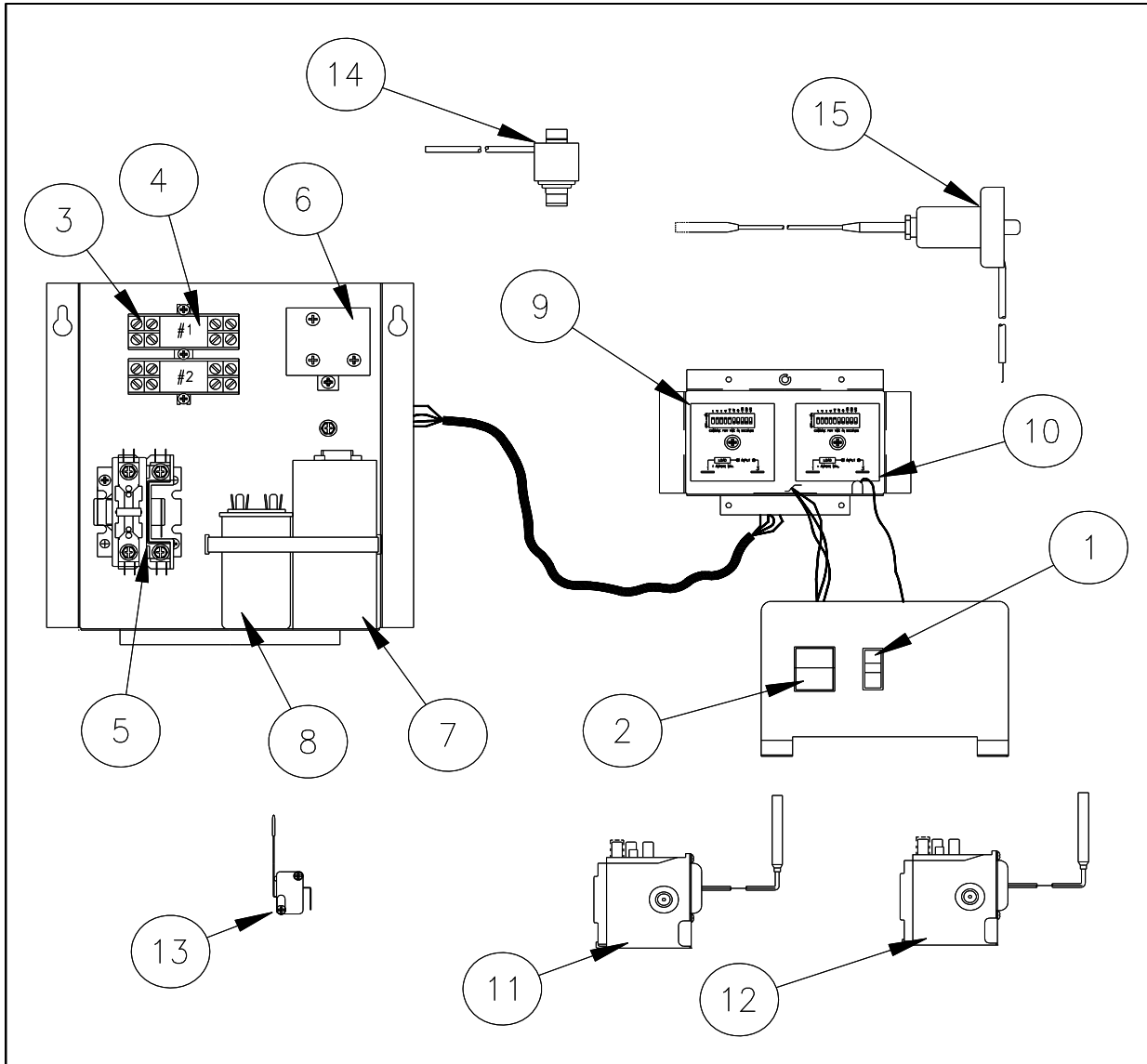
ICE1800/2100 Remote Machine Shown

ICE Series Service Parts

Remote

| Item No. | Description | Model Number | | | | |
|----------|----------------------------|--------------|------------|------------|------------|------------|
| | | ICE1806 | ICE1807 | ICE2005 | ICE2106 | ICE2107 |
| 1 | Compressor | 9181108-11 | 9181108-12 | 9181110-13 | 9181123-11 | 9181110-12 |
| 2 | Hot Gas Valve Coil | 9151123-04 | 9151123-04 | 9151123-04 | 9151123-04 | 9151123-04 |
| 3 | Hot Gas Valve Body | 9151123-01 | 9151123-01 | 9151123-01 | 9151123-01 | 9151123-01 |
| 4 | Low Pressure Control | 9041094-01 | 9041094-01 | 9041094-01 | 9041094-01 | 9041094-01 |
| 5 | Filter Drier | 9151004-03 | 9151004-03 | 9151004-03 | 9151004-03 | 9151004-03 |
| 6 | Drop Adapter | 9091074-01 | 9091074-01 | 9091074-01 | 9091074-01 | 9091074-01 |
| 7 | Water Inlet Fitting | 9091083-01 | 9091083-01 | 9091083-01 | 9091083-01 | 9091083-01 |
| 8 | Purge Drain Fitting | 9091119-01 | 9091119-01 | 9091119-01 | 9091119-01 | 9091119-01 |
| 9 | Clamp-TXV Bulb | 9021040-01 | 9021040-01 | 9021040-01 | 9021040-01 | 9021040-01 |
| 10 | TXV | 9151006-15 | 9151006-15 | 9151006-15 | 9151006-15 | 9151006-15 |
| 10 | TXV (Beg. Ser. B2) | 9151134-06 | 9151134-06 | 9151134-06 | 9151134-06 | 9151134-06 |
| 11 | Purge Drain Hose | 6021015-06 | 6021015-06 | 6021015-06 | 6021015-06 | 6021015-06 |
| 12 | Tube (2.17 Ft.) | 6021032-01 | 6021032-01 | 6021032-01 | 6021032-01 | 6021032-01 |
| 13 | Clamp | 9021010-14 | 9021010-14 | 9021010-14 | 9021010-14 | 9021010-14 |
| 14 | High Temp Safety | 9041087-01 | 9041087-01 | 9041087-01 | 9041087-01 | 9041087-01 |
| 15 | Liquid Line Solenoid Body | 9151123-02 | 9151123-02 | 9151123-02 | 9151123-02 | 9151123-02 |
| 16 | Liquid Line Solenoid Coil | 9151123-04 | 9151123-04 | 9151123-04 | 9151123-04 | 9151123-04 |
| 17 | Receiver | 9151109-01 | 9151109-01 | 9151109-01 | 9151109-01 | 9151109-01 |
| 18 | Expansion Valve Assembly* | 2041686-01 | 2041686-01 | 2041686-01 | 2041686-01 | 2041686-01 |
| 19 | Mixing Valve (240) | 9151027-06 | 9151027-06 | 9151027-06 | 9151027-06 | 9151027-06 |
| 20 | Remote Fitting 3/8" | 9091001-11 | 9091001-11 | 9091001-11 | 9091001-11 | 9091001-11 |
| 21 | Remote Fitting 1/2" | 9091001-12 | 9091001-12 | 9091001-12 | 9091001-12 | 9091001-12 |
| 22 | Rear Brace | 3011978-01 | 3011978-01 | 3011978-01 | 3011978-01 | 3011978-01 |
| 23 | High Pressure Control | 9041051-04 | 9041051-04 | 9041051-04 | 9041051-04 | 9041051-04 |
| 24 | Pump Down Control | 9041040-01 | 9041040-01 | 9041040-01 | 9041040-01 | 9041040-01 |
| 25 | Accumulator/Heat Exchanger | 2101359-01 | 2101359-01 | 2101359-01 | 2101359-02 | 2101359-02 |

| Item No. | Description | Model Number | | |
|----------|---------------------------|--------------|------------|------------|
| | | ICE1405 | ICE1406 | ICE1407 |
| 1 | Compressor | 9181094-12 | 9181108-11 | 9181111-12 |
| 2 | Hot Gas Valve Coil | 9151123-04 | 9151123-04 | 9151123-04 |
| 3 | Hot Gas Valve Body | 9151123-01 | 9151123-01 | 9151123-01 |
| 4 | Low Pressure Control | 9041094-01 | 9041094-01 | 9041094-01 |
| 5 | Filter Drier | 9151004-03 | 9151004-03 | 9151004-03 |
| 6 | Drop Adapter | 9091074-01 | 9091074-01 | 9091074-01 |
| 7 | Water Inlet Fitting | 9091083-01 | 9091083-01 | 9091083-01 |
| 8 | Purge Drain Fitting | 9091119-01 | 9091119-01 | 9091119-01 |
| 9 | Clamp-TXV Bulb | 9021040-01 | 9021040-01 | 9021040-01 |
| 10 | TXV | 9151006-08 | 9151006-08 | 9151006-08 |
| 10 | TXV (Beg. Ser. D2) | 9151134-01 | 9151134-02 | 9151134-02 |
| 11 | Purge Drain Hose | 6021015-06 | 6021015-06 | 6021015-06 |
| 12 | Tube (2.17 Ft.) | 6021032-01 | 6021032-01 | 6021032-01 |
| 13 | Clamp | 9021010-14 | 9021010-14 | 9021010-14 |
| 14 | High Temp Safety | 9041087-01 | 9041087-01 | 9041087-01 |
| 15 | Liquid Line Solenoid Body | 9151123-02 | 9151123-02 | 9151123-02 |
| 16 | Liquid Line Solenoid Coil | 9151123-04 | 9151123-04 | 9151123-04 |
| 17 | Receiver | 9151110-01 | 9151110-01 | 9151110-01 |
| 18 | Expansion Valve Assembly | N/A | N/A | N/A |
| 19 | Mixing Valve (240) | 9151027-06 | 9151027-06 | 9151027-06 |
| 20 | Remote Fitting 3/8" | 9091001-11 | 9091001-11 | 9091001-11 |
| 21 | Remote Fitting 1/2" | 9091001-12 | 9091001-12 | 9091001-12 |
| 22 | Rear Brace | 3011978-01 | 3011978-01 | 3011978-01 |
| 23 | High Pressure Control | 9041051-04 | 9041051-04 | 9041051-04 |
| 24 | Pump Down Control | 9041040-01 | 9041040-01 | 9041040-01 |



ICE Series Service Parts

Control Box

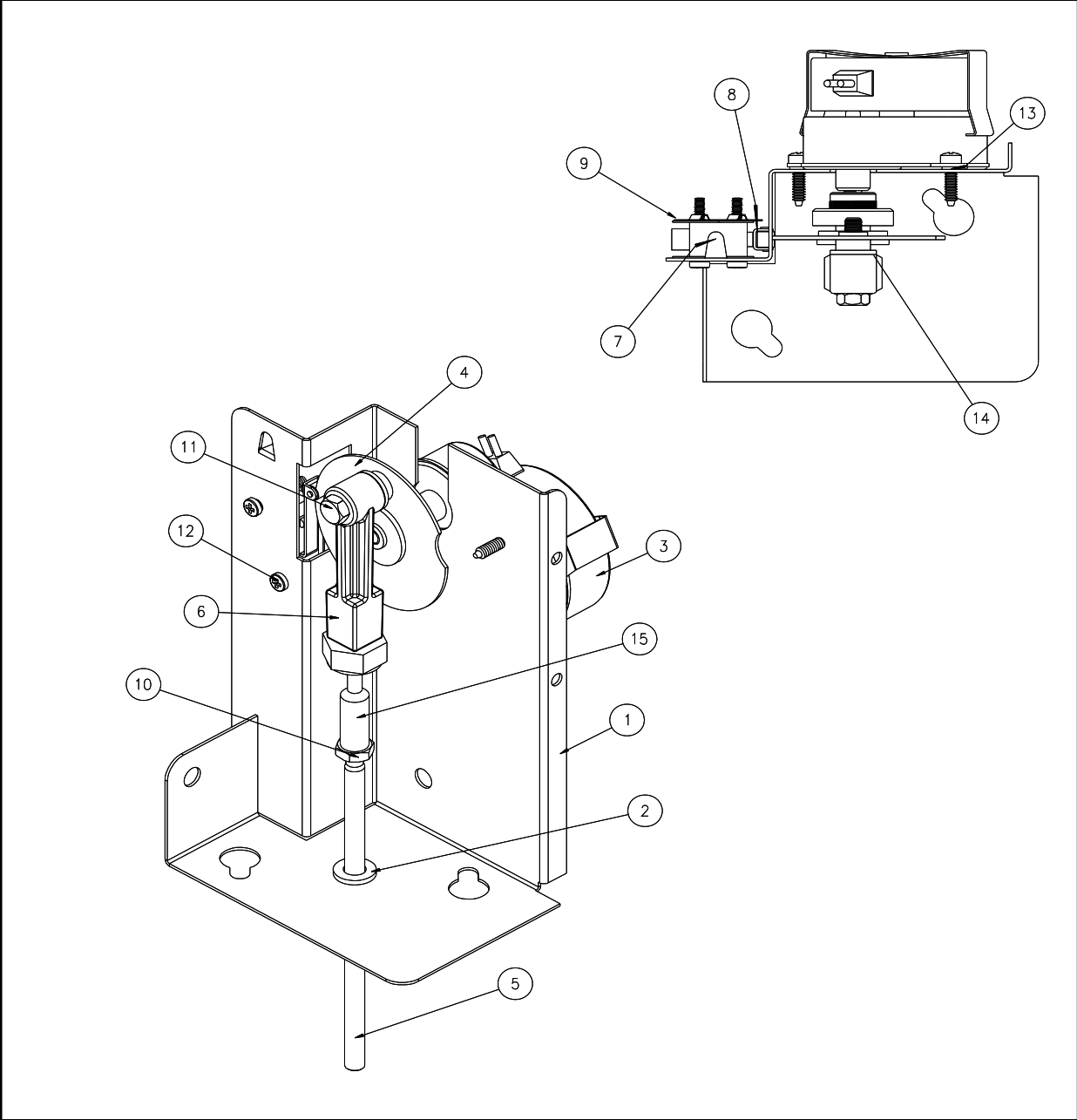
| Item No. | Description | Model Number | | | | |
|----------|------------------------------|--------------|------------|------------|------------|------------|
| | | ICE1806 | ICE1807 | ICE2005 | ICE2106 | ICE2107 |
| 1 | Purge Switch | 9101139-03 | 9101139-03 | 9101139-03 | 9101139-03 | 9101139-03 |
| 2 | ON-OFF-WASH Switch | 9101195-01 | 9101195-01 | 9101195-01 | 9101195-01 | 9101195-01 |
| 3 | Relay Socket | 9101083-01 | 9101083-01 | 9101083-01 | 9101083-01 | 9101083-01 |
| 4 | Relay | 9101084-02 | 9101084-02 | 9101084-02 | 9101084-02 | 9101084-02 |
| 5 | Contactor | 9101002-04 | 9101079-02 | 9101002-04 | 9101002-04 | 9101079-02 |
| 6 | Compressor Start Relay | 9181010-10 | N/A | 9181010-11 | 9181010-11 | N/A |
| 7 | Start Capacitor | 9181003-21 | N/A | 9181003-30 | 9181003-21 | N/A |
| 8 | Run Capacitor | 9181009-20 | N/A | 9181009-20 | 9181009-13 | N/A |
| 9 | Timer | 9101148-01 | 9101148-01 | 9101148-01 | 9101148-01 | 9101148-01 |
| 10 | Timer (Set at 4 Seconds) | 9101148-01 | 9101148-01 | 9101148-01 | 9101148-01 | 9101148-01 |
| 11 | Low Pressure Timer Initiate | 9041094-01 | 9041094-01 | 9041094-01 | 9041094-01 | 9041094-01 |
| 12 | Pump Down Control | 9041040-01 | 9041040-01 | 9041040-01 | 9041040-01 | 9041040-01 |
| 13 | Bin Switch | 9101145-03 | 9101145-03 | 9101145-03 | 9101145-03 | 9101145-03 |
| 14 | High Temp Safety Control | 9041087-01 | 9041087-01 | 9041087-01 | 9041087-01 | 9041087-01 |
| 15 | High Pressure Safety Control | 9041051-04 | 9041051-04 | 9041051-04 | 9041051-04 | 9041051-04 |

| Item No. | Description | Model Number | | |
|----------|------------------------------|--------------|------------|------------|
| | | ICE1405 | ICE1406 | ICE1407 |
| 1 | Purge Switch | 9101139-03 | 9101139-03 | 9101139-03 |
| 2 | ON-OFF-WASH Switch | 9101195-01 | 9101195-01 | 9101195-01 |
| 3 | Relay Socket | 9101083-01 | 9101083-01 | 9101083-01 |
| 4 | Relay | 9101084-02 | 9101084-02 | 9101084-02 |
| 5 | Contactor | 9101002-04 | 9101002-04 | 9101079-02 |
| 6 | Compressor Start Relay | 9181010-04 | 9181010-10 | N/A |
| 7 | Start Capacitor | 9181003-34 | 9181003-21 | N/A |
| 8 | Run Capacitor | 9181009-20 | 9181009-20 | N/A |
| 9 | Timer | 9101148-01 | 9101148-01 | 9101148-01 |
| 10 | Timer (Set at 4 Seconds) | 9101148-01 | 9101148-01 | 9101148-01 |
| 11 | Low Pressure Timer Initiate | 9041094-01 | 9041094-01 | 9041094-01 |
| 12 | Pump Down Control | 9041040-01 | 9041040-01 | 9041040-01 |
| 13 | Bin Switch | 9101145-03 | 9101145-03 | 9101145-03 |
| 14 | High Temp Safety Control | 9041087-01 | 9041087-01 | 9041087-01 |
| 15 | High Pressure Safety Control | 9041051-04 | 9041051-04 | 9041051-04 |

ADD ON PART:

BIN CONTROL THERMOSTAT

9041055-01 ALL 48" UNITS

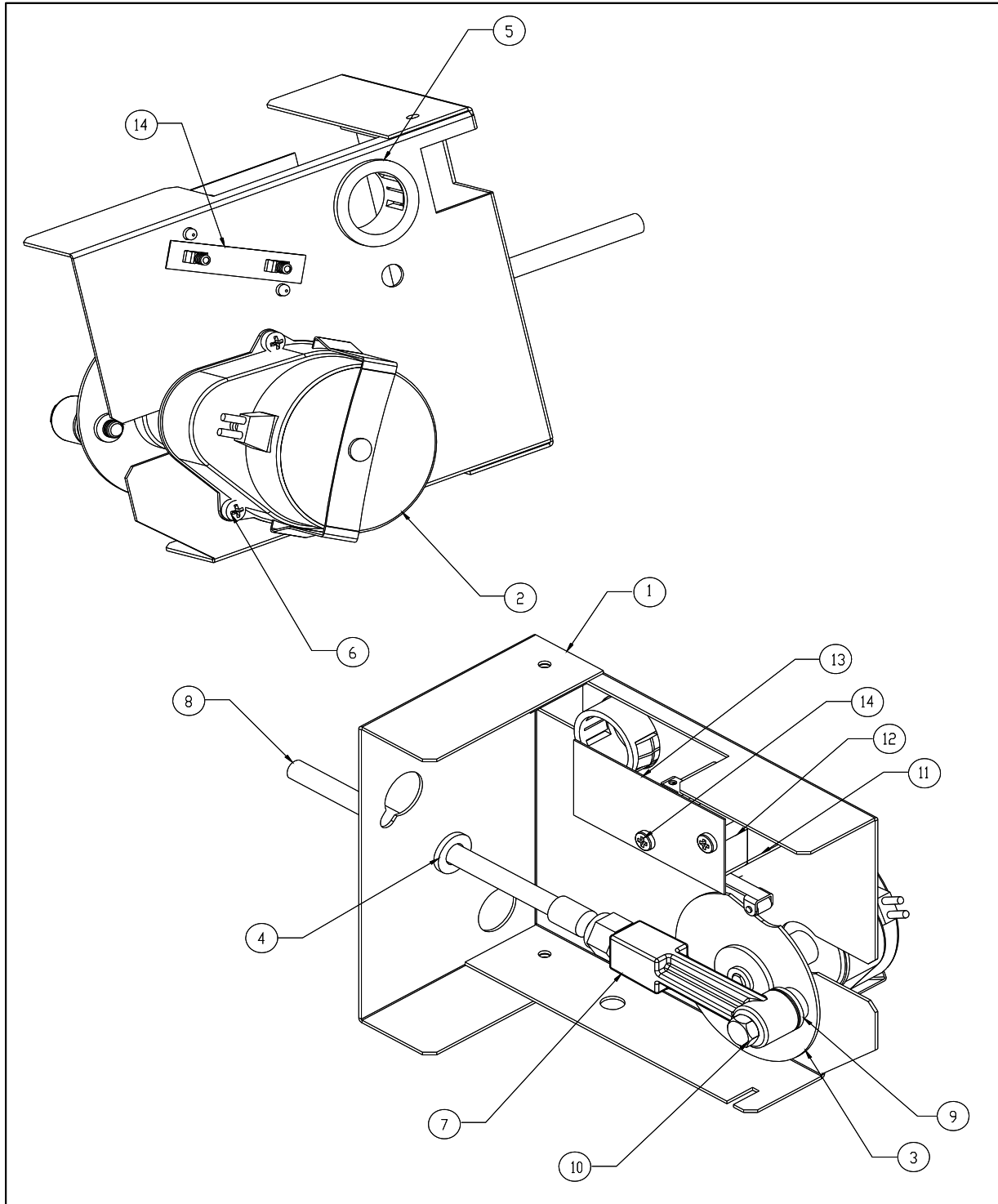


ICE Series Service Parts

Old Style Harvest Assist Assembly

| Item No. | Description | Model Number | | | | |
|----------|------------------------|--------------|-------------|-------------|-------------|-------------|
| | | ICE1806 | ICE1807 | ICE2005 | ICE2106 | ICE2107 |
| 1 | Probe Motor Bracket | 3012890-01 | 3012890-01 | 3012890-01 | 3012890-01 | 3012890-01 |
| 2 | Snap Bushing | 9051001-13 | 9051001-13 | 9051001-13 | 9051001-13 | 9051001-13 |
| 3 | Gear Motor | 9161031-01 | 9161031-01 | 9161031-01 | 9161031-01 | 9161031-01 |
| 4 | Clutch Assembly | 9131190-04 | 9131190-04 | 9131190-04 | 9131190-04 | 9131190-04 |
| 5 | Probe Shaft | 9131189-01 | 9131189-01 | 9131189-01 | 9131189-01 | 9131189-01 |
| 6 | Connecting Rod | 9051057-01 | 9051057-01 | 9051057-01 | 9051057-01 | 9051057-01 |
| 7 | Cam Switch | 9101160-01 | 9101160-01 | 9101160-01 | 9101160-01 | 9101160-01 |
| 8 | Speed Nut Plate | 9031120-01 | 9031120-01 | 9031120-01 | 9031120-01 | 9031120-01 |
| 9 | Insulation, Switch | 3051145-01 | 3051145-01 | 3051145-01 | 3051145-01 | 3051145-01 |
| 10 | Nut | 9031005-03 | 9031005-03 | 9031005-03 | 9031005-03 | 9031005-03 |
| 11 | Shoulder Screw | 9031119-01 | 9031119-01 | 9031119-01 | 9031119-01 | 9031119-01 |
| 12 | Pan Head Machine Screw | 9031008-16 | 9031008-16 | 9031008-16 | 9031008-16 | 9031008-16 |
| 13 | Self Tapping Screw | 9031019-05 | 9031019-05 | 9031019-05 | 9031019-05 | 9031019-05 |
| 14 | Flat Washer | 9031003-03 | 9031003-03 | 9031003-03 | 9031003-03 | 9031003-03 |
| 15 | Swivel | 9021017-02 | 9021017-02 | 9021017-02 | 9021017-02 | 9021017-02 |
| | Complete Assembly | 2061962-03S | 2061962-03S | 2061962-03S | 2061962-03S | 2061962-03S |

| Item No. | Description | Model Number | | |
|----------|--------------------------|--------------|-------------|-------------|
| | | ICE1405 | ICE1406 | ICE1407 |
| 1 | Probe Motor Bracket | 3012890-01 | 3012890-01 | 3012890-01 |
| 2 | Snap Bushing | 9051001-13 | 9051001-13 | 9051001-13 |
| 3 | Gear Motor | 9161031-01 | 9161031-01 | 9161031-01 |
| 4 | Clutch Assembly | 9131190-04 | 9131190-04 | 9131190-04 |
| 5 | One Piece Shaft & Swivel | 9021102-01 | 9021102-01 | 9021102-01 |
| 5 | Probe Shaft | 9131189-01 | 9131189-01 | 9131189-01 |
| 6 | Connecting Rod | 9051057-01 | 9051057-01 | 9051057-01 |
| 7 | Cam Switch | 9101160-01 | 9101160-01 | 9101160-01 |
| 8 | Speed Nut Plate | 9031120-01 | 9031120-01 | 9031120-01 |
| 9 | Insulation, Switch | 3051145-01 | 3051145-01 | 3051145-01 |
| 10 | Nut | 9031005-03 | 9031005-03 | 9031005-03 |
| 11 | Shoulder Screw | 9031119-01 | 9031119-01 | 9031119-01 |
| 12 | Pan Head Machine Screw | 9031008-16 | 9031008-16 | 9031008-16 |
| 13 | Self Tapping Screw | 9031019-05 | 9031019-05 | 9031019-05 |
| 14 | Flat Washer | 9031003-03 | 9031003-03 | 9031003-03 |
| 15 | Swivel | 9021017-02 | 9021017-02 | 9021017-02 |
| | Complete Assembly | 2061962-03S | 2061962-03S | 2061962-03S |



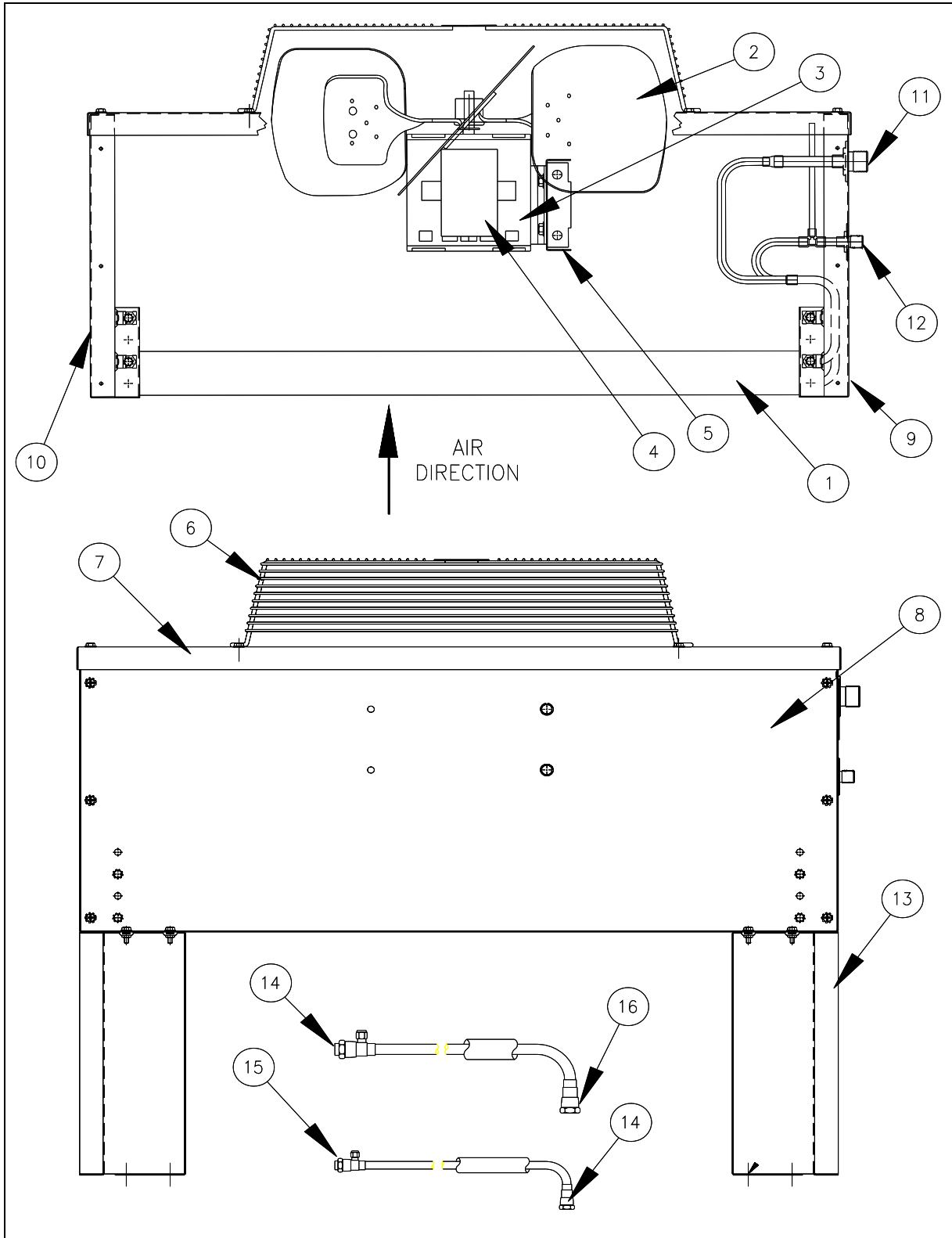
ICE Series Service Parts

New Style Harvest Assist Assembly

| Item No. | Description | Model Number | | | | |
|----------|-------------------------------|--------------|-------------|-------------|-------------|-------------|
| | | ICE1806 | ICE1807 | ICE2005 | ICE2106 | ICE2107 |
| 1 | Bracket, Probe Motor | 3013170-01 | 3013170-01 | 3013170-01 | 3013170-01 | 3013170-01 |
| 2 | Gear Motor | 9161031-01 | 9161031-01 | 9161031-01 | 9161031-01 | 9161031-01 |
| 3 | Clutch Assembly | 9131190-04 | 9131190-04 | 9131190-04 | 9131190-04 | 9131190-04 |
| 4 | Snap Bushing | 9051001-13 | 9051001-13 | 9051001-13 | 9051001-13 | 9051001-13 |
| 5 | Snap Bushing | 9051001-03 | 9051001-03 | 9051001-03 | 9051001-03 | 9051001-03 |
| 6 | #6-32 x 1/2 Screw | 9031019-08 | 9031019-08 | 9031019-08 | 9031019-08 | 9031019-08 |
| 7 | Connecting Rod | 9051057-01 | 9051057-01 | 9051057-01 | 9051057-01 | 9051057-01 |
| 8 | Probe, Single Length | 9021102-01 | 9021102-01 | 9021102-01 | 9021102-01 | 9021102-01 |
| 9 | Flat Washer | 9031003-03 | 9031003-03 | 9031003-03 | 9031003-03 | 9031003-03 |
| 10 | Shoulder Screw | 9031119-01 | 9031119-01 | 9031119-01 | 9031119-01 | 9031119-01 |
| 11 | Spacer, Cam Switch | 9051519-01 | 9051519-01 | 9051519-01 | 9051519-01 | 9051519-01 |
| 12 | Cam Switch | 9101160-01 | 9101160-01 | 9101160-01 | 9101160-01 | 9101160-01 |
| 13 | Insulator | 3051145-02 | 3051145-02 | 3051145-02 | 3051145-02 | 3051145-02 |
| 14 | Pan Head Screw | 9031008-44 | 9031008-44 | 9031008-44 | 9031008-44 | 9031008-44 |
| 15 | Speed Nut Plate | 9031120-01 | 9031120-01 | 9031120-01 | 9031120-01 | 9031120-01 |
| | Complete Assembly | 2061962-03S | 2061962-03S | 2061962-03S | 2061962-03S | 2061962-03S |
| | Cover for Harvest Assist Assy | 3013244-01 | 3013244-01 | 3013244-01 | 3013244-01 | 3013244-01 |

| Item No. | Description | Model Number | | |
|----------|-------------------------------|--------------|-------------|-------------|
| | | ICE1405 | ICE1406 | ICE1407 |
| 1 | Bracket, Probe Motor | 3013170-01 | 3013170-01 | 3013170-01 |
| 2 | Gear Motor | 9161031-01 | 9161031-01 | 9161031-01 |
| 3 | Clutch Assembly | 9131190-04 | 9131190-04 | 9131190-04 |
| 4 | Snap Bushing | 9051001-13 | 9051001-13 | 9051001-13 |
| 5 | Snap Bushing | 9051001-03 | 9051001-03 | 9051001-03 |
| 6 | #6-32 x 1/2 Screw | 9031019-08 | 9031019-08 | 9031019-08 |
| 7 | Connecting Rod | 9051057-01 | 9051057-01 | 9051057-01 |
| 8 | Probe, Single Length | 9021102-01 | 9021102-01 | 9021102-01 |
| 9 | Flat Washer | 9031003-03 | 9031003-03 | 9031003-03 |
| 10 | Shoulder Screw | 9031119-01 | 9031119-01 | 9031119-01 |
| 11 | Spacer, Cam Switch | 9051519-01 | 9051519-01 | 9051519-01 |
| 12 | Cam Switch | 9101160-01 | 9101160-01 | 9101160-01 |
| 13 | Insulator | 3051145-02 | 3051145-02 | 3051145-02 |
| 14 | Pan Head Screw | 9031008-44 | 9031008-44 | 9031008-44 |
| 15 | Speed Nut Plate | 9031120-01 | 9031120-01 | 9031120-01 |
| | Complete Assembly | 2061962-03S | 2061962-03S | 2061962-03S |
| | Cover for Harvest Assist Assy | 3013244-01 | 3013244-01 | 3013244-01 |

NOTE: Cover for Harvest Assist Assy is not included with the complete assembly and must be ordered separately.

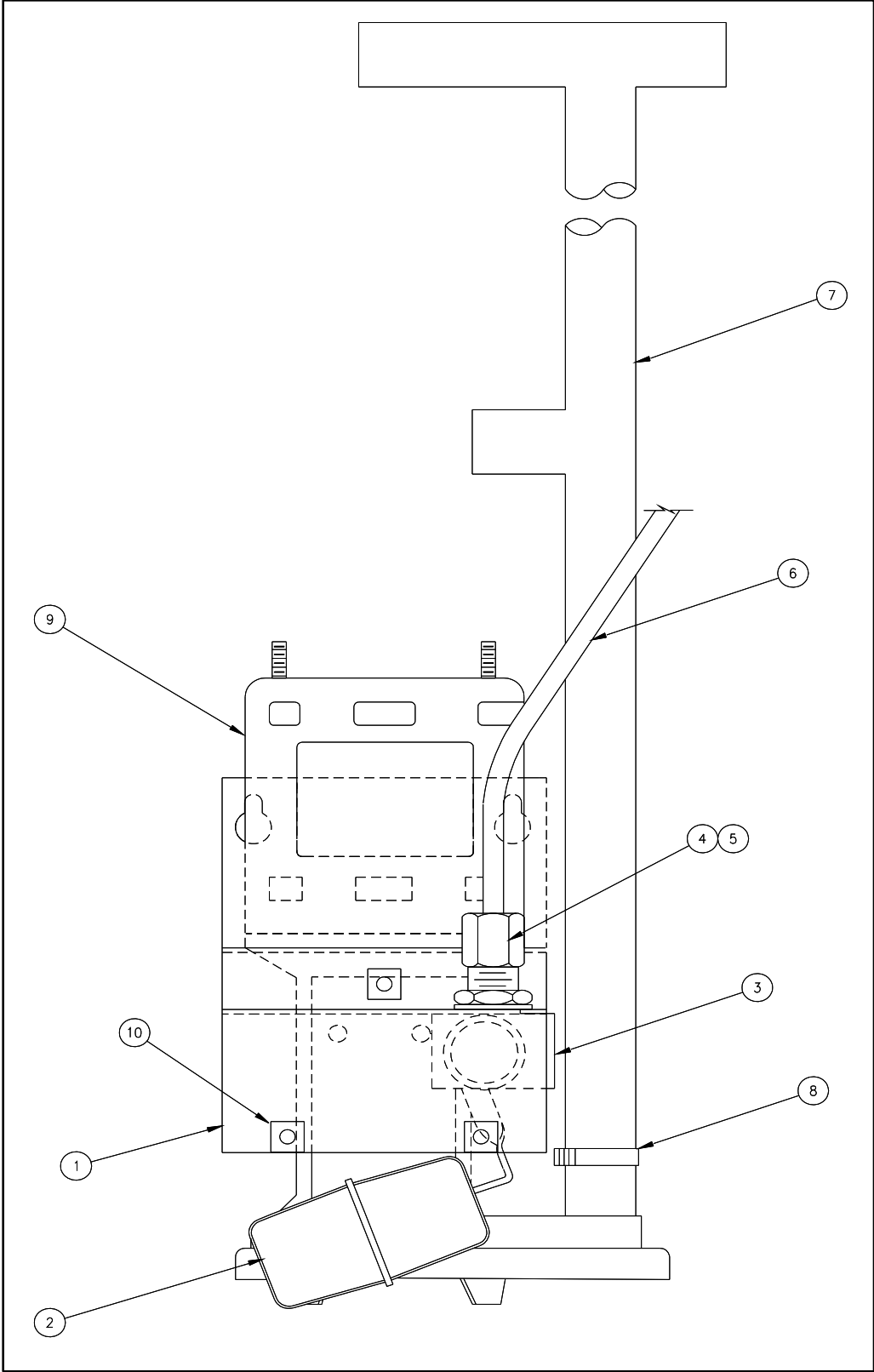


ICE Series Service Parts

Remote Condenser

| Item No. | Description | Model Number | | | |
|----------|-------------------------------|--------------------|--------------------|--------------------|--------------------|
| | | ICE1806 ERC4061 | ICE1807 ERC4061 | ICE2106 ERC5061 | ICE2107 ERC5061 |
| 1 | Condenser | 9141110-02 | 9141110-02 | 9141111-01 | 9141111-01 |
| 2 | Fan Blade | 9131357-01 | 9131357-01 | 9131357-01 | 9131357-01 |
| 3 | Fan Motor | 9161110-02 | 9161110-02 | 9161110-02 | 9161110-02 |
| 4 | Capacitor | 9161110-92 | 9161110-92 | 9161110-92 | 9161110-92 |
| 5 | Fan Motor Brace | 3012802-01 | 3012802-01 | 3012802-01 | 3012802-01 |
| 6 | Fan Guard | 9131356-01 | 9131356-01 | 9131356-01 | 9131356-01 |
| 7 | Top Panel | 3012807-01 | 3012807-01 | 3012829-01 | 3012829-01 |
| 8 | Side Panel | 3012794-01 | 3012794-01 | 3012830-01 | 3012830-01 |
| 9 | Front Panel | 3012804-01 | 3012804-01 | 3012804-01 | 3012804-01 |
| 10 | Rear Panel | 3012805-01 | 3012805-01 | 3012805-01 | 3012805-01 |
| 11 | Coupling Half-Bulkhead-1/2" | 9091001-12 | 9091001-12 | 9091001-12 | 9091001-12 |
| 12 | Coupling Half-Bulkhead-3/8" | 9091001-11 | 9091001-11 | 9091001-11 | 9091001-11 |
| 13 | Mounting Leg | 3012795-01 | 3012795-01 | 3012795-01 | 3012795-01 |
| 14 | Lineset Fitting w/ Port 1/2" | 9091001-10 | 9091001-10 | 9091001-10 | 9091001-10 |
| 15 | Lineset Fitting w/ Port 3/8" | 9091001-04 | 9091001-04 | 9091001-04 | 9091001-04 |
| 16 | Lineset Fitting w/o Port 1/2" | 9091001-08 | 9091001-08 | 9091001-08 | 9091001-08 |
| 17 | Lineset Fitting w/o Port 3/8" | 9091001-02 | 9091001-02 | 9091001-02 | 9091001-02 |

| Item No. | Description | Model Number | | |
|----------|-------------------------------|--------------------|--------------------|--------------------|
| | | ICE1405 ERC2661 | ICE1406 ERC2661 | ICE1407 ERC2661 |
| 1 | Condenser | 9141109-01 | 9141109-01 | 9141109-01 |
| 2 | Fan Blade | 9131357-01 | 9131357-01 | 9131357-01 |
| 3 | Fan Motor | 9161110-02 | 9161110-02 | 9161110-02 |
| 4 | Capacitor | 9161110-92 | 9161110-92 | 9161110-92 |
| 5 | Fan Motor Brace | 3012802-01 | 3012802-01 | 3012802-01 |
| 6 | Fan Guard | 9131356-01 | 9131356-01 | 9131356-01 |
| 7 | Top Panel | 3012806-01 | 3012806-01 | 3012806-01 |
| 8 | Side Panel | 3012793-01 | 3012793-01 | 3012793-01 |
| 9 | Front Panel | 3012804-01 | 3012804-01 | 3012804-01 |
| 10 | Rear Panel | 3012805-01 | 3012805-01 | 3012805-01 |
| 11 | Coupling Half-Bulkhead-1/2" | 9091001-12 | 9091001-12 | 9091001-12 |
| 12 | Coupling Half-Bulkhead-3/8" | 9091001-11 | 9091001-11 | 9091001-11 |
| 13 | Mounting Leg | 3012795-01 | 3012795-01 | 3012795-01 |
| 14 | Lineset Fitting w/ Port 1/2" | 9091001-10 | 9091001-10 | 9091001-10 |
| 15 | Lineset Fitting w/ Port 3/8" | 9091001-04 | 9091001-04 | 9091001-04 |
| 16 | Lineset Fitting w/o Port 1/2" | 9091001-08 | 9091001-08 | 9091001-08 |
| 17 | Lineset Fitting w/o Port 3/8" | 9091001-02 | 9091001-02 | 9091001-02 |



ICE Series Service Parts

Water Pump and Float

| Item No. | Description | Model Number | | | | |
|----------|-------------------------------|--------------|-------------|-------------|-------------|-------------|
| | | ICE1806 | ICE1807 | ICE2005 | ICE2106 | ICE2107 |
| 1 | Pump Bracket | 3012877-01 | 3012877-01 | 3012877-01 | 3012877-01 | 3012877-01 |
| 2 | Float Assembly | 9131111-02 | 9131111-02 | 9131111-02 | 9131111-02 | 9131111-02 |
| 3 | Cap Plug | 9131026-02 | 9131026-02 | 9131026-02 | 9131026-02 | 9131026-02 |
| 4 | Sleeve | 9091081-01 | 9091081-01 | 9091081-01 | 9091081-01 | 9091081-01 |
| 5 | Barrel Fitting | 9091080-01 | 9091080-01 | 9091080-01 | 9091080-01 | 9091080-01 |
| 6 | Tube- Polyethylene (3.59 Ft.) | 6021032-01 | 6021032-01 | 6021032-01 | 6021032-01 | 6021032-01 |
| 7 | Water Pump Tube | 9051471-02 | 9051471-02 | 9051471-02 | 9051471-02 | 9051471-02 |
| 8 | Hose Clamp | 9021010-04 | 9021010-04 | 9021010-04 | 9021010-04 | 9021010-04 |
| 9 | Water Pump | 9161079-02 | 9161079-02 | 9161079-02 | 9161079-02 | 9161079-02 |
| | Thumbscrew / Pump | 9161076-101 | 9161076-101 | 9161076-101 | 9161076-101 | 9161076-101 |
| 10 | Plastic Nut #10 | 9031141-01 | 9031141-01 | 9031141-01 | 9031141-01 | 9031141-01 |

| Item No. | Description | Model Number | | |
|----------|-------------------------------|--------------|-------------|-------------|
| | | ICE1405 | ICE1406 | ICE1407 |
| 1 | Pump Bracket | 3012877-01 | 3012877-01 | 3012877-01 |
| 2 | Float Assembly | 9131111-02 | 9131111-02 | 9131111-02 |
| 3 | Cap Plug | 9131026-02 | 9131026-02 | 9131026-02 |
| 4 | Sleeve | 9091081-01 | 9091081-01 | 9091081-01 |
| 5 | Barrel Fitting | 9091080-01 | 9091080-01 | 9091080-01 |
| 6 | Tube- Polyethylene (3.59 Ft.) | 6021032-01 | 6021032-01 | 6021032-01 |
| 7 | Water Pump Tube | 9051471-01 | 9051471-01 | 9051471-01 |
| 8 | Hose Clamp | 9021010-04 | 9021010-04 | 9021010-04 |
| 9 | Water Pump | 9161079-02 | 9161079-02 | 9161079-02 |
| | Thumbscrew / Pump | 9161076-101 | 9161076-101 | 9161076-101 |
| 10 | Plastic Nut #10 | 9031141-01 | 9031141-01 | 9031141-01 |

Please note: Water Pumps are shipped with the Thumbscrews when ordered as a service replacement part.

Compressor Components

| | | Model Number | |
|----------------------|---------|--------------|-----------------|
| ICE1406 AND ICE 1806 | ICE1806 | 9181108-11 | Compressor Kit |
| | | 9181003-21 | Start Capacitor |
| | | 9181009-20 | Run Capacitor |
| | | 9181010-10 | Relay |
| ICE1405 | | 9181094-12 | Compressor Kit |
| | | 9181003-34 | Start Capacitor |
| | | 9181009-20 | Run Capacitor |
| | | 9181010-04 | Relay |
| ICE1407 | | 9181111-12 | Compressor Kit |
| | | N/A | Start Capacitor |
| | | N/A | Run Capacitor |
| | | N/A | Relay |
| ICE 1807 | | 9181108-12 | Compressor Kit |
| | | N/A | Start Capacitor |
| | | N/A | Run Capacitor |
| | | N/A | Relay |
| ICE 2106 | | 9181123-11 | Compressor Kit |
| | | 9181003-21 | Start Capacitor |
| | | 9181009-13 | Run Capacitor |
| | | 9181010-11 | Relay |
| ICE 2005 | | 9181110-13 | Compressor Kit |
| | | 9181003-30 | Start Capacitor |
| | | 9181009-20 | Run Capacitor |
| | | 9181010-11 | Relay |
| ICE 2107 | | 9181123-12 | Compressor Kit |
| | | N/A | Start Capacitor |
| | | N/A | Run Capacitor |
| | | N/A | Relay |

Please note: Compressor Kits include all Start Components and Driers.