

# ***Ice-O-Matic***<sup>®</sup>

## **SERVICE PARTS MANUAL**

**MODEL-ICE1405, ICE1406 and ICE1407 Version 4**

**Includes 50Hz.and 3 phase Units**



**Ice-O-Matic  
11100 East 45th Ave  
Denver, Colorado 80239  
Part Number 9081375-02**

**Date 1/09**



# ICE1400 Series Version 4 Service Parts

This parts list contains the service parts available for the ICE1400 Series Version 4 icemakers.

**ICE1406 A4, W4 and R4**

**ICE1405 A4, W4 and R4**

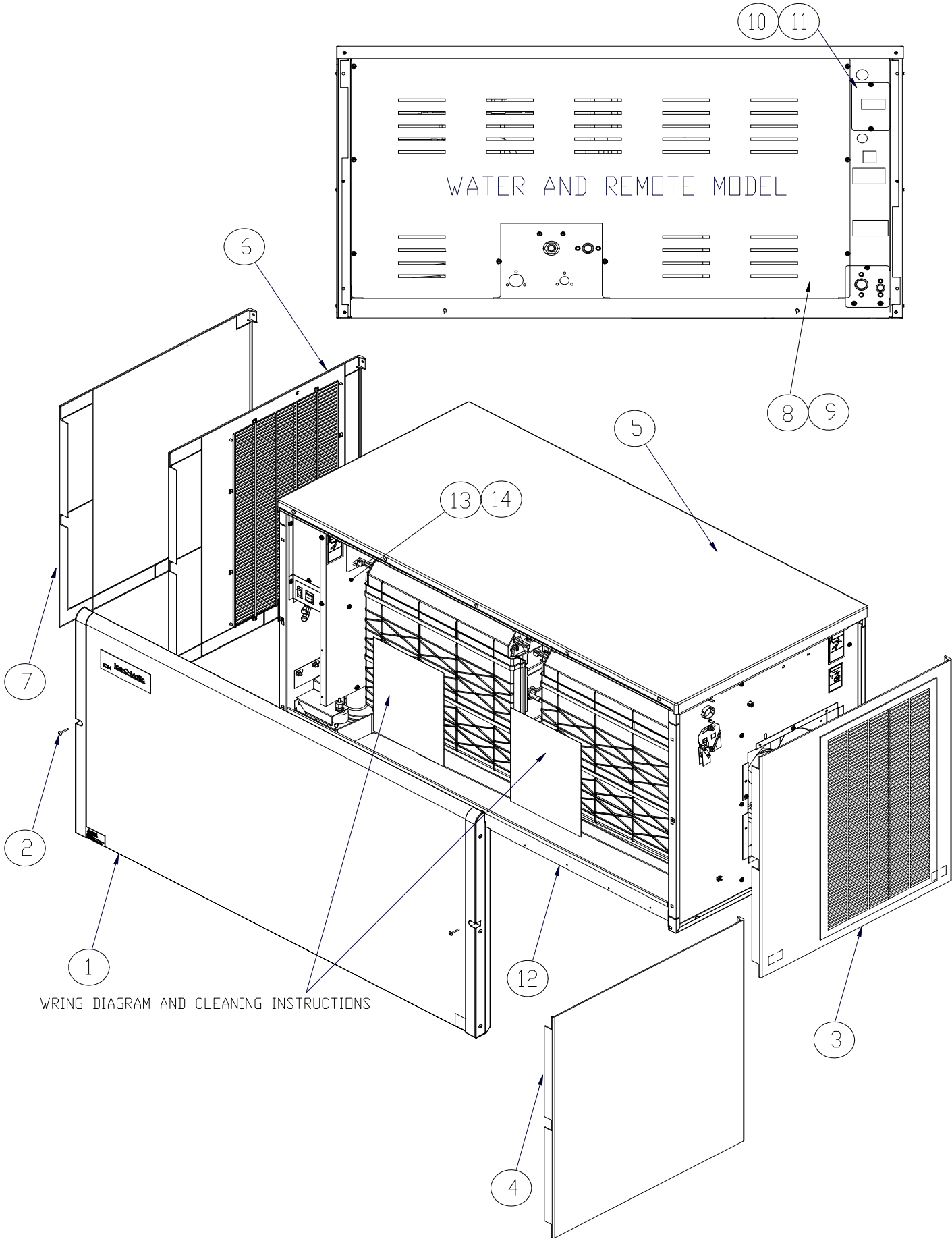
**ICE1407 A4, W4 and R4**

**Check the model number on the data plate and refer to the correct listing for the specific component.**

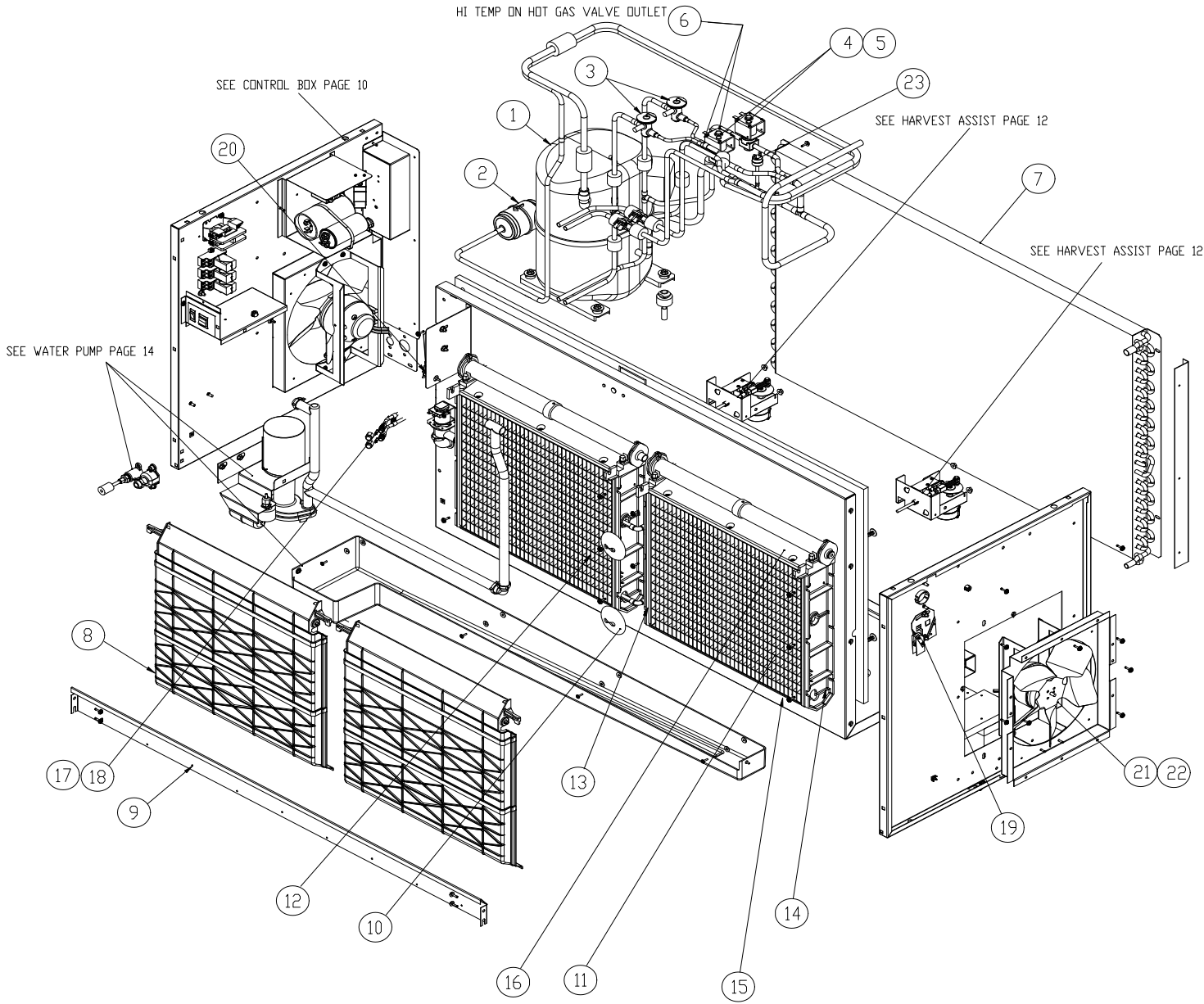
Check carefully that the correct part is identified and ordered.

<b>Table of Contents</b>	<b>Page 1</b>
<b>Exterior Panels</b>	<b>Page 2</b>
<b>Air Cooled</b>	<b>Page 4</b>
<b>Water Cooled</b>	<b>Page 6</b>
<b>Remote</b>	<b>Page 8</b>
<b>Control Box</b>	<b>Page 10</b>
<b>Harvest Assist</b>	<b>Page 12</b>
<b>Water Pump/Float</b>	<b>Page 14</b>
<b>VRC Condenser</b>	<b>Page 16</b>

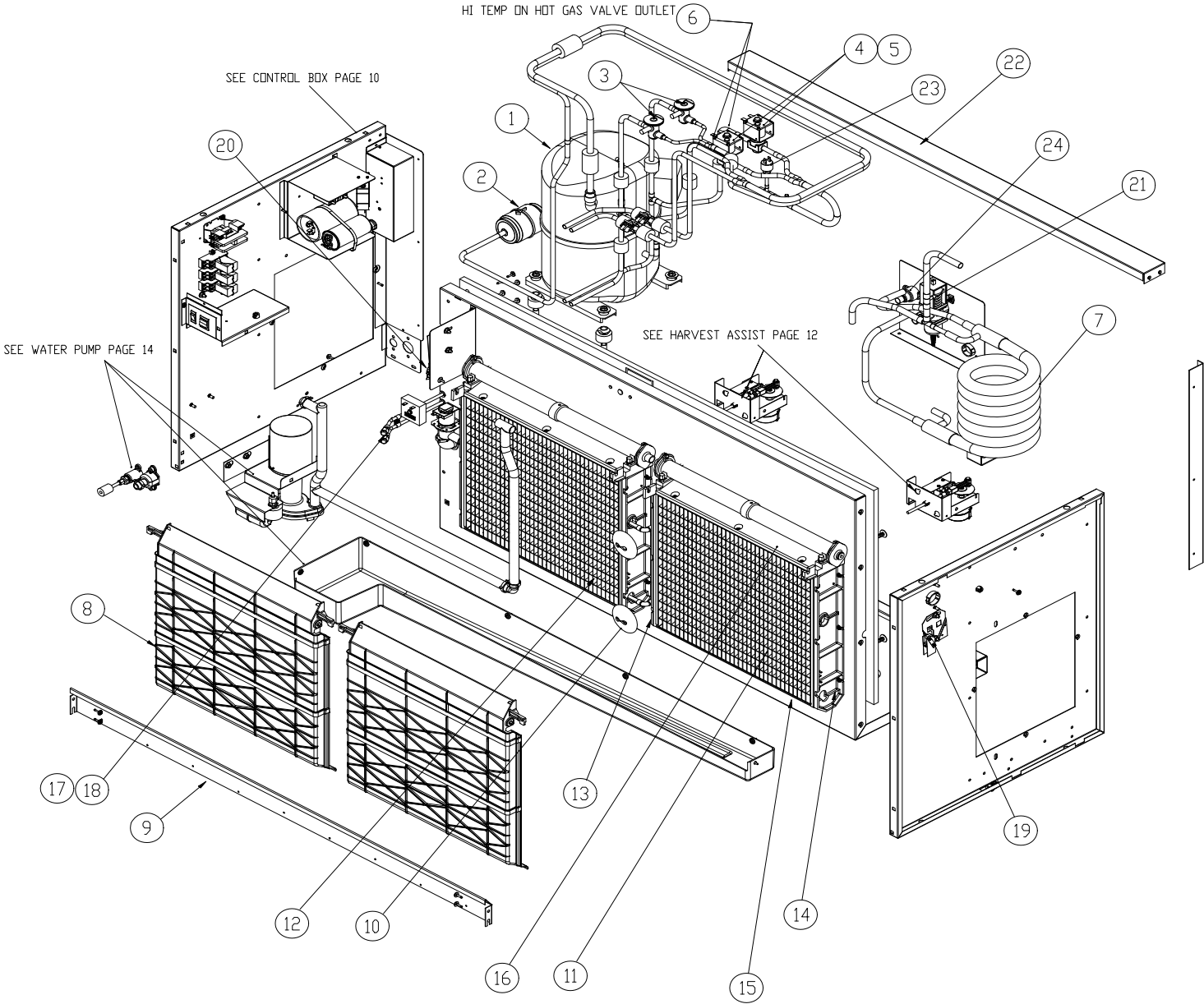
**Ice-O-Matic**  
**11100 East 45th Ave.**  
**Denver Co. 80239**  
**800-423-3367**



Item No.	Model Number			Description
	ICE1406	ICE1405	ICE1407	
1	2031511-03S	2031511-03S	2031511-03S	Front Panel
	9051562-03	9051562-03	9051562-03	Front Panel End Cap, Right Hand
	9051562-04	9051562-04	9051562-04	Front Panel End Cap, Left Hand
2	9031098-04	9031098-04	9031098-04	Front Panel Screws
3	2101428-02S	2101428-02S	2101428-02S	Right Hand Side Panel- <b>Air Cooled</b> Only
4	9051565-04	9051565-04	9051565-04	Right Hand Side Panel-Water Cooled and Remote Only
5	2101430-01S	2101430-01S	2101430-01S	Top Panel
6	2101428-04S	2101428-04S	2101428-04S	Left Hand Side Panel- <b>Air Cooled</b> Only
7	9051565-04	9051565-04	9051565-04	Left Hand Side Panel-Water Cooled and Remote Only
8	3021926-01	3021926-01	3021926-01	Rear Panel
9	9031046-01	9031046-01	9031046-01	Rear Cover Panel Screws
10	3013308-01	3013308-01	3013308-01	Junction Box Cover
11	9031046-01	9031046-01	9031046-01	Junction Box Cover Screws
12	3013315-01	3013315-01	3013315-01	Ice Deflector
13	3013294-01	3013294-01	3013294-01	Control Box Top Cover
14	3013293-01	3013293-01	3013293-01	Control Box Side Cover
15	N/A	3012931-02	N/A	Machine Compartment Cover

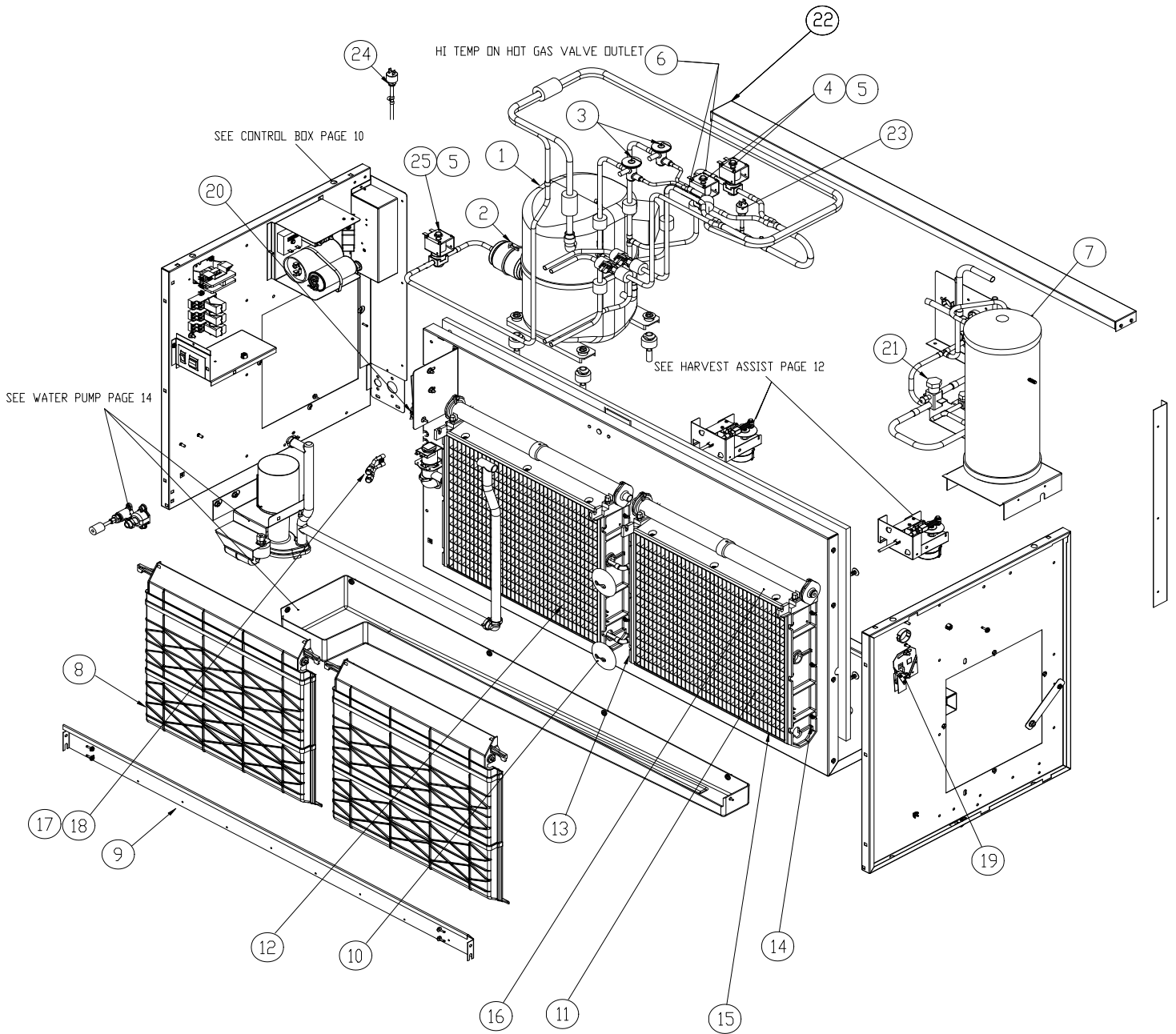


Item No.	Model Number			Description
	ICE1406A	ICE1405A	ICE1407A	
1	9181111-11	9181094-12	9181111-12	Compressor
2	9151004-03	9151004-03	9151004-03	Filter Drier
3	9151150-01	9151150-01	9151150-01	Expansion Valve
4	9151123-02	9151123-02	9151123-02	Hot Gas Valve Body
5	9151123-04	9151123-04	9151123-04	Hot Gas Valve Coil
6	9041098-01	9041098-01	9041098-01	High Temperature Safety Control
7	9141132-01	9141132-01	9141132-01	Air Condenser
8	9051154-14	9051154-14	9051154-14	Evaporator Splash Curtain
9	3013315-01	3013315-01	3013315-01	Ice Deflector
10	9051237-02	9051237-02	9051237-02	Washer Tube
11	2051238-81	2051238-81	2051238-81	Evaporator <b>Right Side Full Cube</b>
11	2051238-82	2051238-82	2051238-82	Evaporator <b>Right Side Half Cube</b>
12	2051237-81	2051237-81	2051237-81	Evapoartor <b>Left Side Full Cube</b>
12	2051237-82	2051237-82	2051237-82	Evapoartor <b>Left Side Half Cube</b>
13	9051540-03	9051540-03	9051540-03	Evaporator Left Side Mounting Panel
14	9051540-04	9051540-04	9051540-04	Evaporator Right Side Mounting Panel
15	9051135-04	9051135-04	9051135-04	Water Return
16	9051135-05	9051135-05	9051135-05	Spillway
17	9091086-02	9091086-02	9091086-02	Valve Core
18	9091086-03	9091086-03	9091086-03	Valve Cap
19	9101124-02	9101124-02	9101124-02	Bin Switch <b>Right Side (Cut Arm)</b>
20	9101124-02	9101124-02	9101124-02	Bin Switch <b>Left Side (Cut Arm)</b>
21	9161078-03	9161078-02	9161078-03	Fan Motor
22	9131383-01	9131383-01	9131383-01	Fan Blade
23	9041096-01	9041096-01	9041096-01	Fan Control

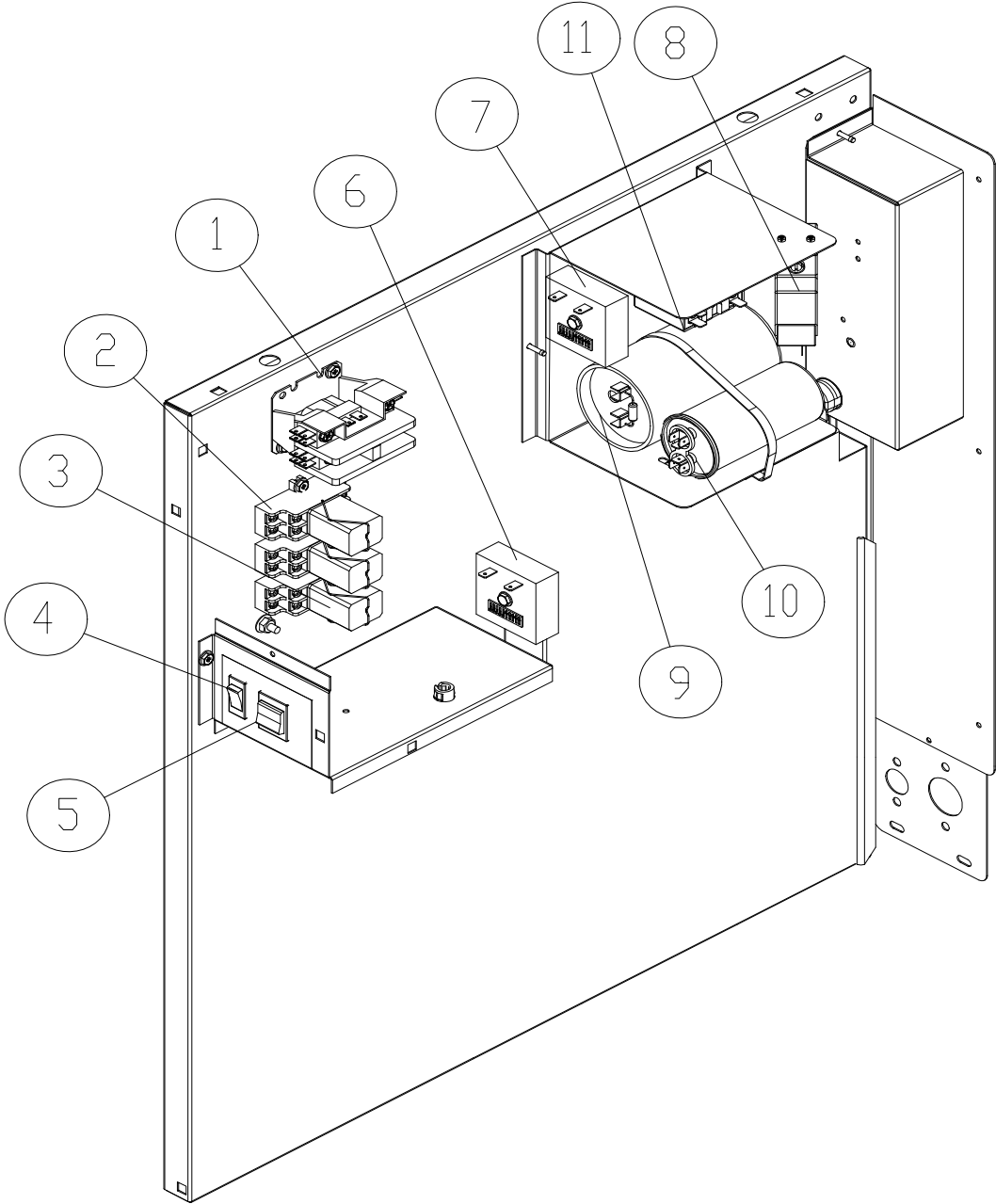




Item No.	Model Number			Description
	ICE1406W	ICE1405W	ICE1407W	
1	9181111-11	9181094-12	9181111-12	Compressor
2	9151004-03	9151004-03	9151004-03	Filter Drier
3	9151150-01	9151150-01	9151150-01	Expansion Valve
4	9151123-02	9151123-02	9151123-02	Hot Gas Valve Body
5	9151123-04	9151123-04	9151123-04	Hot Gas Valve Coil
6	9041098-01	9041098-01	9041098-01	High Temperature Safety Control
7	9141061-02	9141061-02	9141061-02	Water Condenser
8	9051154-14	9051154-14	9051154-14	Evaporator Splash Curtain
9	3013315-01	3013315-01	3013315-01	Ice Deflector
10	9051237-02	9051237-02	9051237-02	Washer Tube
11	2051238-81	2051238-81	2051238-81	Evaporator <b>Right Side Full Cube</b>
11	2051238-82	2051238-82	2051238-82	Evaporator <b>Right Side Half Cube</b>
12	2051237-81	2051237-81	2051237-81	Evapoartor <b>Left Side Full Cube</b>
12	2051237-82	2051237-82	2051237-82	Evapoartor <b>Left Side Half Cube</b>
13	9051540-03	9051540-03	9051540-03	Evaporator Left Side Mounting Panel
14	9051540-04	9051540-04	9051540-04	Evaporator Right Side Mounting Panel
15	9051135-04	9051135-04	9051135-04	Water return
16	9051135-05	9051135-05	9051135-05	Spillway
17	9091086-02	9091086-02	9091086-02	Valve Core
18	9091086-03	9091086-03	9091086-03	Valve Cap
19	9101124-02	9101124-02	9101124-02	Bin Switch <b>Right Side (Cut Arm)</b>
20	9101124-02	9101124-02	9101124-02	Bin Switch <b>Left Side (Cut Arm)</b>
21	9041059-01	9041059-01	9041059-01	Water Regulating Valve
22	3013316-01	3013316-01	3013316-01	Rear Brace
23	9041091-01	9041091-01	9041091-01	High Pressure Control
24	9091063-02	9091063-02	9091063-02	Condenser Drain Fitting

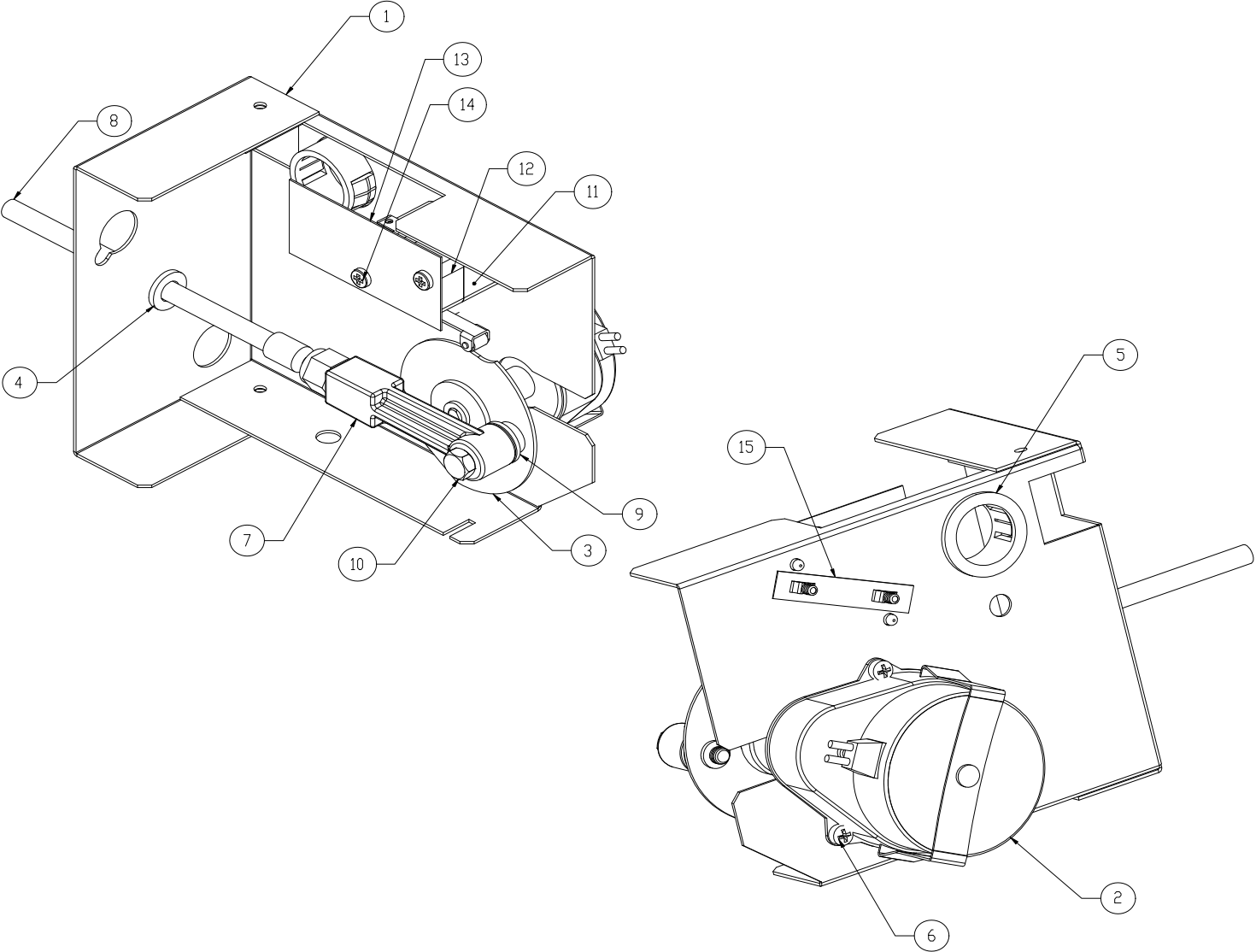


Item No.	Model Number			Description
	ICE1406R	ICE1405R	ICE1407R	
1	9181111-11	9181094-12	9181111-12	Compressor
2	9151004-03	9151004-03	9151004-03	Filter Drier
3	9151150-01	9151150-01	9151150-01	Expansion Valve
4	9151123-02	9151123-02	9151123-02	Hot Gas Valve Body
5	9151123-04	9151123-04	9151123-04	Hot Gas Valve Coil
6	9041098-01	9041098-01	9041098-01	High Temperature Safety Control
7	9151060-01	9151060-01	9151060-01	Receiver
8	9051154-14	9051154-14	9051154-14	Evaporator Splash Curtain
9	3013315-01	3013315-01	3013315-01	Ice Deflector
10	9051237-02	9051237-02	9051237-02	Washer Tube
11	2051238-81	2051238-81	2051238-81	Evaporator <b>Right Side Full Cube</b>
11	2051238-82	2051238-82	2051238-82	Evaporator <b>Right Side Half Cube</b>
12	2051237-81	2051237-81	2051237-81	Evapoartor <b>Left Side Full Cube</b>
12	2051237-82	2051237-82	2051237-82	Evapoartor <b>Left Side Half Cube</b>
13	9051540-03	9051540-03	9051540-03	Evaporator Left Side Mounting Panel
14	9051540-04	9051540-04	9051540-04	Evaporator Right Side Mounting Panel
15	9051135-04	9051135-04	9051135-04	Water Return
16	9051135-05	9051135-05	9051135-05	Spillway
17	9091086-02	9091086-02	9091086-02	Valve Core
18	9091086-03	9091086-03	9091086-03	Valve Cap
19	9101124-02	9101124-02	9101124-02	Bin Switch <b>Right Side (Cut Arm)</b>
20	9101124-02	9101124-02	9101124-02	Bin Switch <b>Left Side (Cut Arm)</b>
21	9091143-02	9091143-02	9091143-02	Remote Shut-Off Valve (Large)
	9091143-01	9091143-01	9091143-01	Remote Shut-Off Valve (Small)
22	3013316-01	3013316-01	3013316-01	Rear Brace
23	9041091-01	9041091-01	9041091-01	High Pressure Control
24	9041092-02	9041092-02	9041092-02	Pump Down Control
25	9151123-02	9151123-02	9151123-02	Liquid Line Solenoid
	9091001-12	9091001-12	9091001-12	1/2 Inch Coupling (Not Shown)
	9091001-11	9091001-11	9091001-11	3/8 Inch Coupling (Not Shown)
	9151139-01	9151139-01	9151139-01	Check Valve (Not Shown)

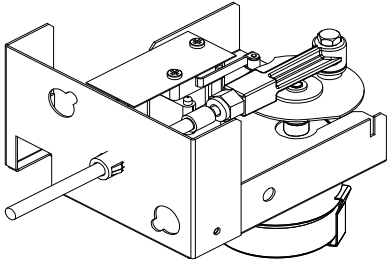
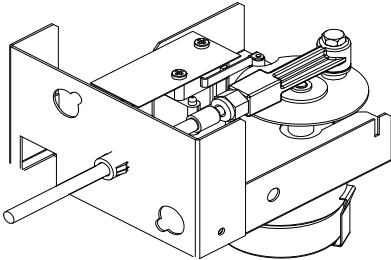


Item No.	Model Number			Description
	ICE1406	ICE1405	ICE1407	
1	9101002-06	9101002-06	9101079-02	Contactator
2	9101083-01	9101083-01	9101083-01	Relay Base
3	9101084-02	9101084-02	9101084-02	Relay
4	9101139-03	9101139-03	9101139-03	Purge Switch
5	9101195-01	9101195-01	9101195-01	ICE-OFF-WASH Switch
6	9101148-01	9101148-01	9101148-01	Timer
7	9101148-01	9101148-01	9101148-01	Timer (6 Minute-Remote only)
8	9041094-01	9041094-01	9041094-01	Low Pressure Control (Timer Initiate)
9	9181003-19	9181003-34	N/A	Start Capacitor
10	9181009-12	9181009-20	N/A	Run Capacitor
11	9181010-10	9181010-04	N/A	Compressor Relay

ICE1406	ICE1405	ICE1407	
9181111-11	9181094-02	9181111-12	Compressor Kit
9181003-19	9181003-34	N/A	Start Capacitor
9181009-12	9181009-20	N/A	Run Capacitor
9181010-10	9181010-04	N/A	Relay

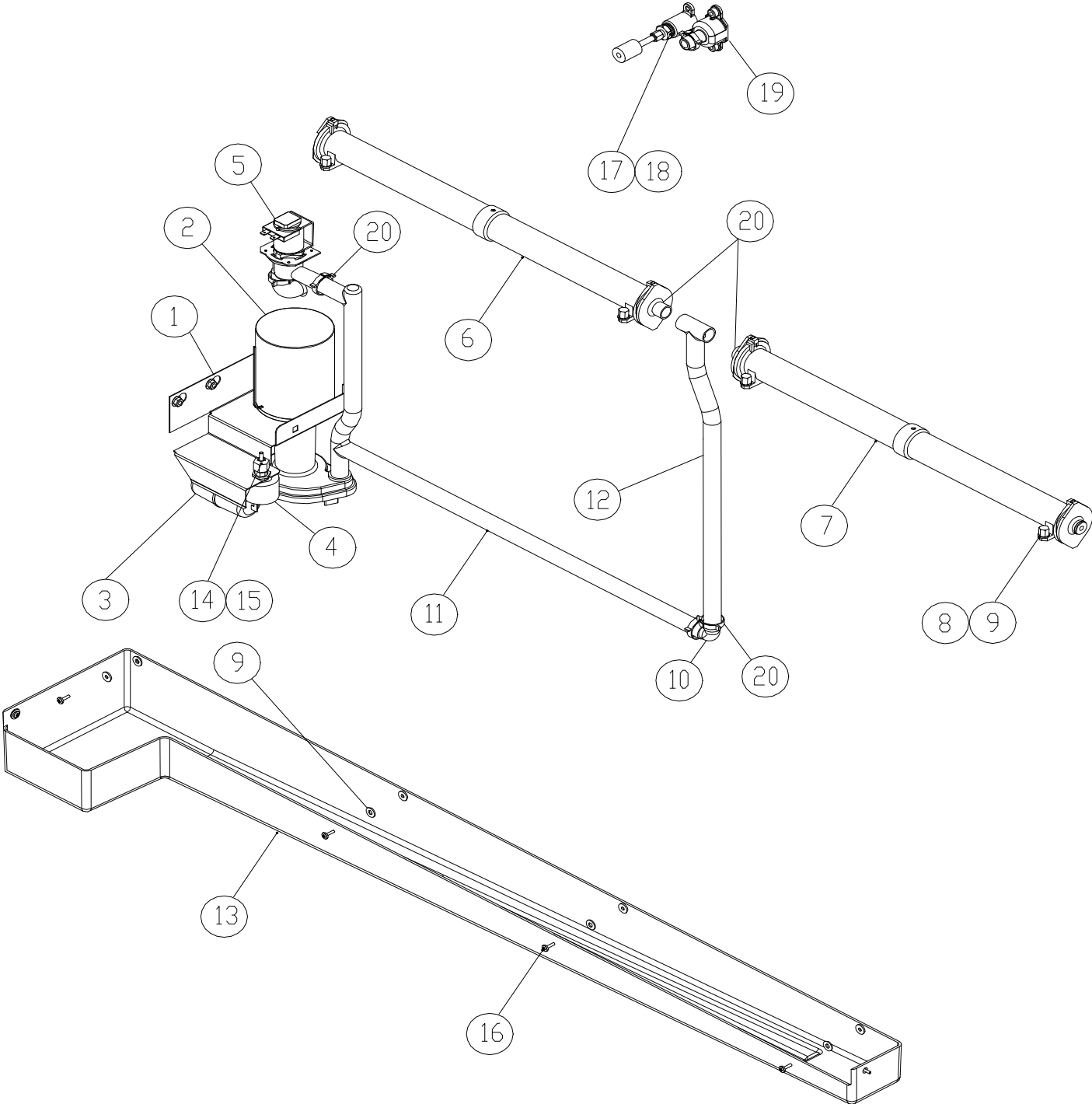


LEFT SIDE HARVIST ASSIST (SECONDARY)



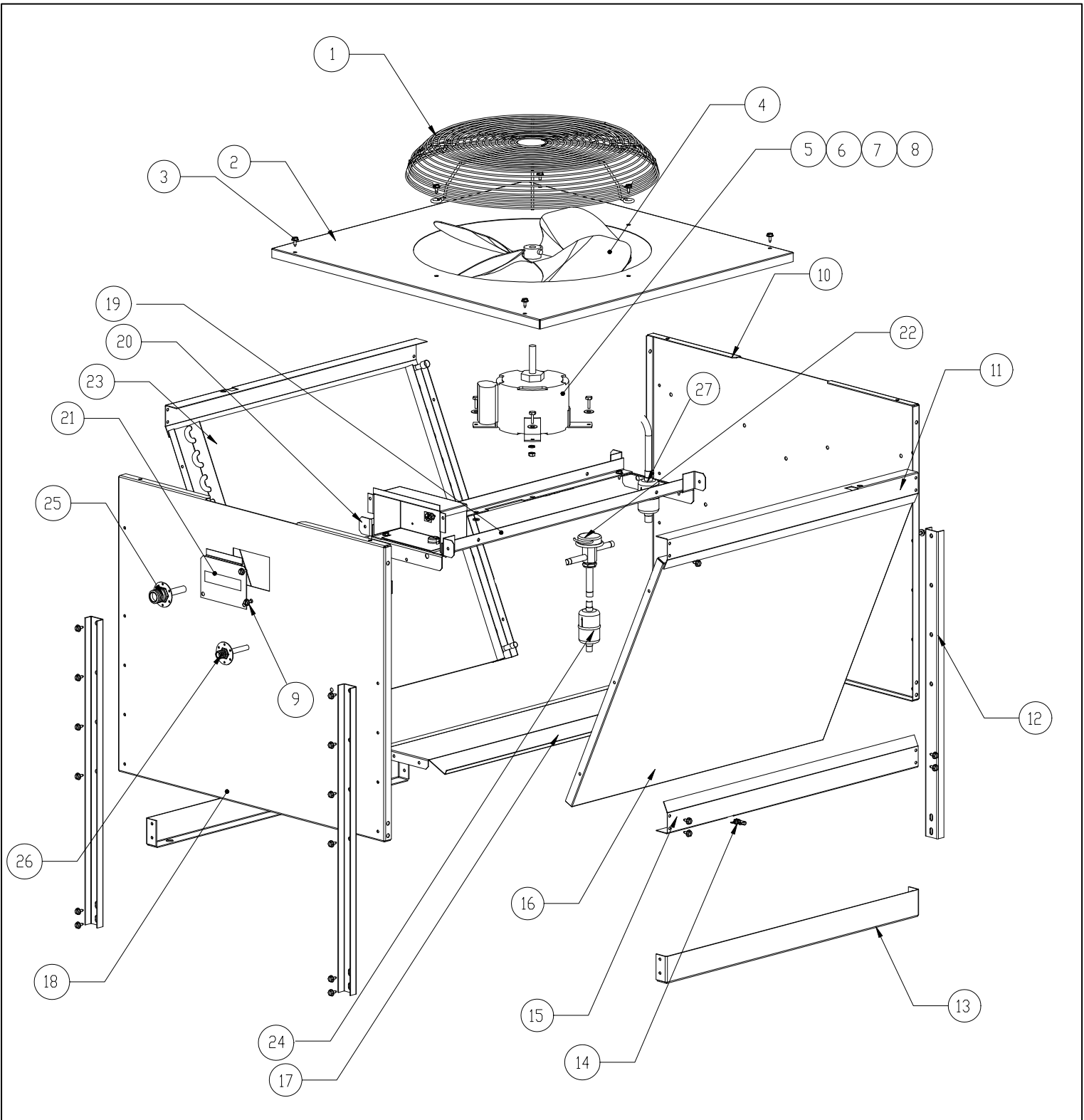
RIGHT SIDE HARVEST ASSIST (PRIMARY)

Item No.	Model Number			Description
	ICE1406	ICE1405	ICE1407	
1	3013170-01	3013170-01	3013170-01	Bracket, Probe Motor
2	9161031-01	9161031-01	9161031-01	Gear Motor
3	9131190-01	9131190-01	9131190-01	Clutch Assembly 160 Degree Cam, <b>Right Side</b>
	9131190-04	9131190-04	9131190-04	Clutch Assembly .312R Cam, <b>Left Side</b>
4	9051001-13	9051001-13	9051001-13	Snap Bushing
5	9051001-03	9051001-03	9051001-03	Snap Bushing
6	9031019-08	9031019-08	9031019-08	#6-32 x 1/2 Fillister Head Screw
7	9051057-01	9051057-01	9051057-01	Connecting Rod
8	9021102-01	9021102-01	9021102-01	Probe, Single Length
9	9031003-03	9031003-03	9031003-03	Plain Flat Washer
10	9031119-01	9031119-01	9031119-01	Shoulder Screw
11	9051519-01	9051519-01	9051519-01	Spacer, Cam Switch
12	9101160-01	9101160-01	9101160-01	Cam Switch
13	3051145-02	3051145-02	3051145-02	Insulator, Switch
14	9031008-44	9031008-44	9031008-44	Pan Head Machine Screw
15	9031120-01	9031120-01	9031120-01	Speed Nut Plate
14	2061962-02S	2061962-02S	2061962-02S	Complete Assembly-Primary- <b>Right Side</b>
15	2061962-03S	2061962-03S	2061962-03S	Complete Assembly-Secondary- <b>Left Side</b>





Item No.	Model Number			Description
	ICE1406	ICE1405	ICE1407	
1	3013310-01	3013310-01	3013310-01	Water Pump Bracket
2	9161079-06	9161079-06	9161079-06	Water Pump
3	9131111-02	9131111-02	9131111-02	Float
4	9131026-02	9131026-02	9131026-02	Float Deflector
5	9041086-03	9041086-03	9041086-03	Purge Valve
6	2041338-02	2041338-02	2041338-02	Water Distribution Tube Left
7	2041338-01	2041338-01	2041338-01	Water Distribution Tube Right
8	9031122-01	9031122-01	9031122-01	Thumb Screw
9	9031004-19	9031004-19	9031004-19	Washer
10	9091052-01	9091052-01	9091052-01	Elbow
11	9051543-01	9051543-01	9051543-01	Water Pump Tube (Water Pump/Purge Valve)
12	9051546-01	9051546-01	9051546-01	Water Pump Tube (Water Distribution Tube)
13	9051544-01	9051544-01	9051544-01	Water Trough
14	3032898-26	3032898-26	3032898-26	Water Inlet Tubing (34.00 inches long)
15	9091081-01	9091081-01	9091081-01	Sleeve
	9091080-01	9091080-01	9091080-01	Barrel Fitting
16	9031046-24	9031046-24	9031046-24	Water Trough Screw
17	9091074-01	9091074-01	9091074-01	Drap Adapter
18	9091083-01	9091083-01	9091083-01	Water Inlet Fitting
19	9091140-01	9091140-01	9091140-01	Drain Fitting
20	9021010-04	9021010-04	9021010-04	Clamp



ICE0500R	ICE0600R	ICE0800R ICE1000R	ICE1400R4 ICE1506R3	ICE1800R4 ICE2100R4
----------	----------	----------------------	------------------------	------------------------

Item	VRC1001	VRC1061	VRC2061	VRC2661	VRC5061	Description
1	9131452-01	9131452-01	9131452-01	9131452-01	9131460-01	Fan Guard
2	3013222-01	3013222-01	3013222-01	3013222-01	3013303-01	Top Panel
3	9031019-04	9031019-04	9031019-04	9031019-04	9031019-04	¼-20 x 1/2 Screw
4	9131451-01	9131451-01	9131451-01	9131451-01	9131461-01	Fan Blade
5	9161117-02	9161117-01	9161117-01	9161117-01	9161118-01	Fan Motor
6	9031001-02	9031001-02	9031001-02	9031001-02	9031001-02	¼-20 x ¾ Cap Screw
7	9031003-01	9031003-01	9031003-01	9031003-01	9031003-01	Flat Washer
8	9031118-02	9031118-02	9031118-02	9031118-02	9031118-02	Flanged Lock Nut
9	9031019-04	9031019-04	9031019-04	9031019-04	9031019-04	¼-20 x 1/2 Screw
10	3013224-01	3013224-01	3013224-01	3013224-01	3013224-01	Rear Panel
11	3013226-01	3013226-01	3013226-01	3013226-01	3013305-01	Brace
12	3013227-01	3013227-01	3013227-01	3013227-01	3013227-01	Leg
13	3013228-01	3013228-01	3013228-01	3013228-01	3013306-01	Leg Brace
14	N/A	N/A	N/A	N/A	N/A	T-Nut-Shipping Only
15	3013226-01	3013226-01	3013226-01	3013226-01	3013305-01	Brace
16	3013232-01	3013232-01	N/A	N/A	N/A	Cover Panel
17	3013225-01	3013225-01	3013225-01	3013225-01	3013304-01	Center Panel
18	3013223-01	3013223-01	3013223-01	3013223-01	3013223-01	Front Panel
19	3013234-01	3013234-01	3013234-01	3013234-01	3013307-01	Motor Brace
20	3013233-01	3013233-01	3013233-01	3013233-01	3013233-01	Motor Brace Support
21	3013229-01	3013229-01	3013229-01	3013229-01	3013229-01	Junction Box Cover
22	9151142-02	9151142-02	9151142-02	9151142-02	9151142-02	Mixing Valve
23	9141130-01	9141130-01	9141130-01	9141131-01	9141133-01	Condenser
24	9151143-01	9151143-01	9151143-01	9151143-01	9151143-01	Filter
25	9091001-12	9091001-12	9091001-12	9091001-12	9091001-12	1/2 Coupling
26	9091001-11	9091001-11	9091001-11	9091001-11	9091001-11	3/8 Coupling
27	9151143-02	9151143-02	9151143-02	9151143-02	9151143-02	Filter