

Ice-O-Matic[®]

SERVICE PARTS MANUAL
The ICE Series Undercounter Cubers
MODEL-ICEU300, ICEU305

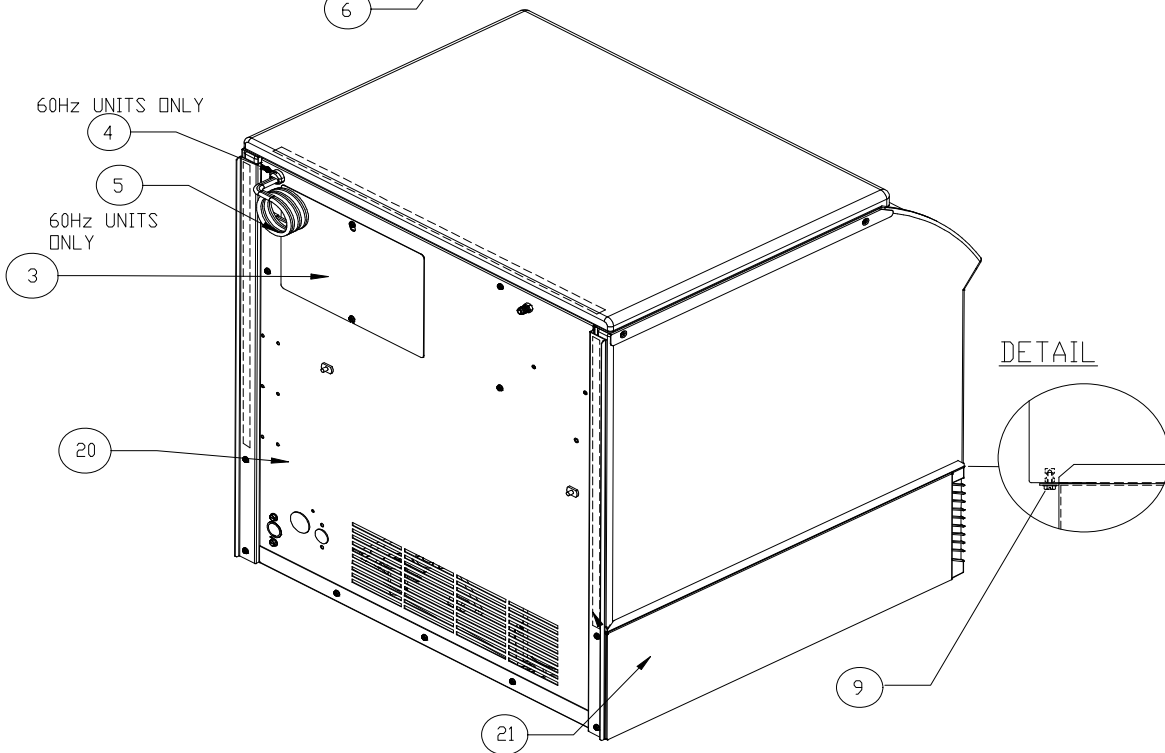
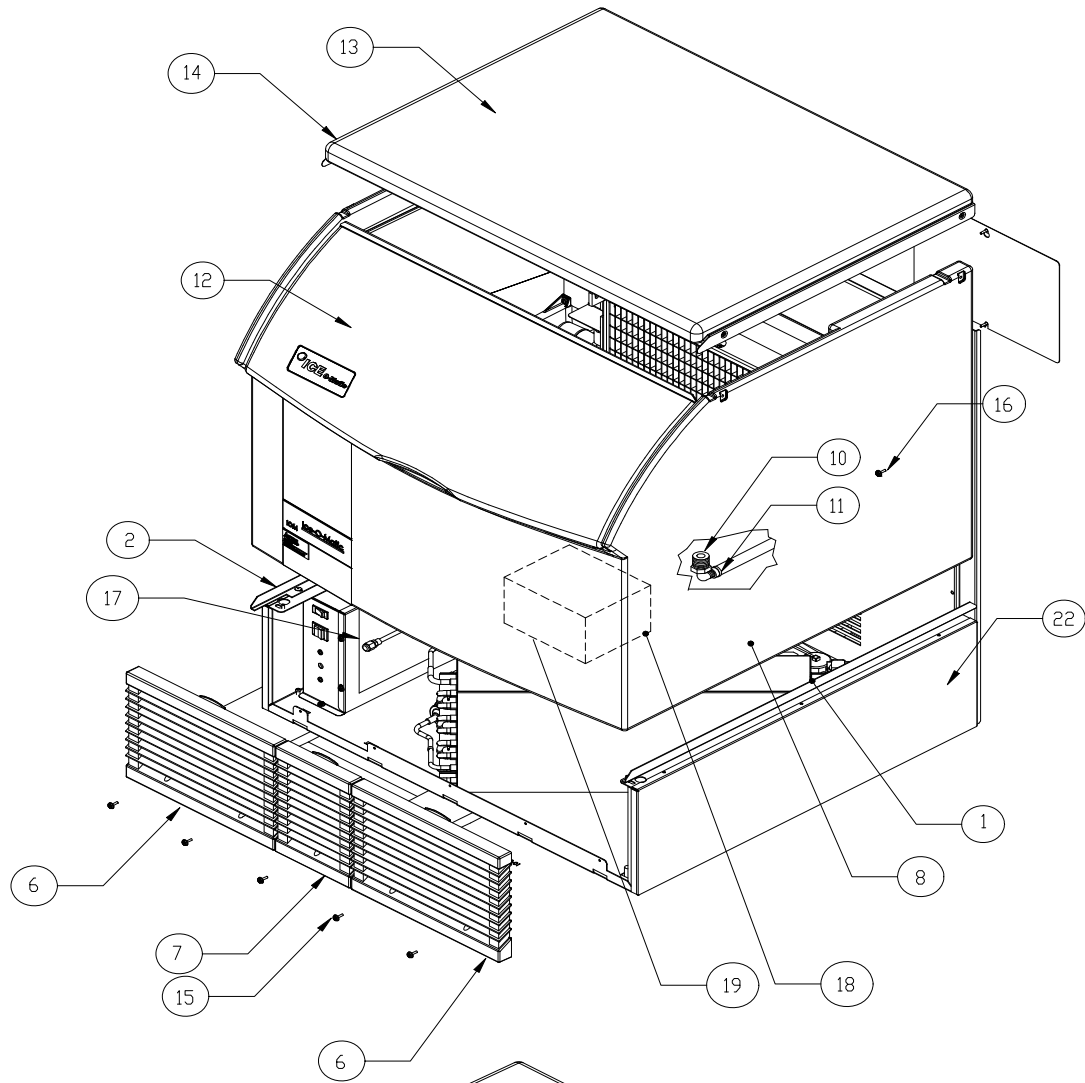


This parts list contains the service parts available for the ICEU305 Undercounter icemakers.

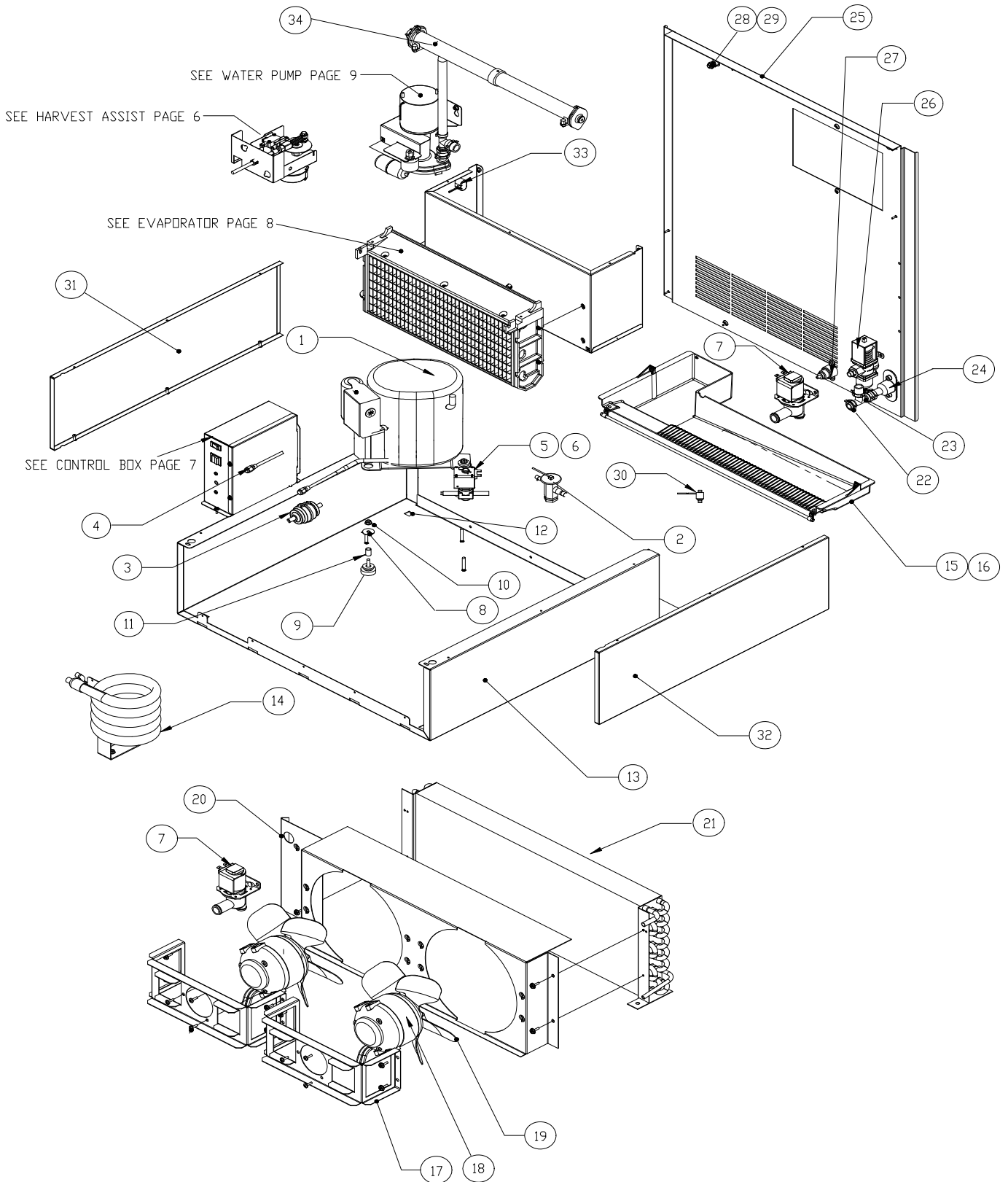
Check the model number on the data plate and refer to the correct listing for the specific component.

Check carefully that the correct part is identified and ordered.

Table of Contents	Page 1
Bin and Exterior Components	Page 2 - 3
Refrigeration System	Page 4 - 5
Harvest Assist Assembly	Page 6
Control Box	Page 7
Evaporator	Page 8
Water Pump	Page 9



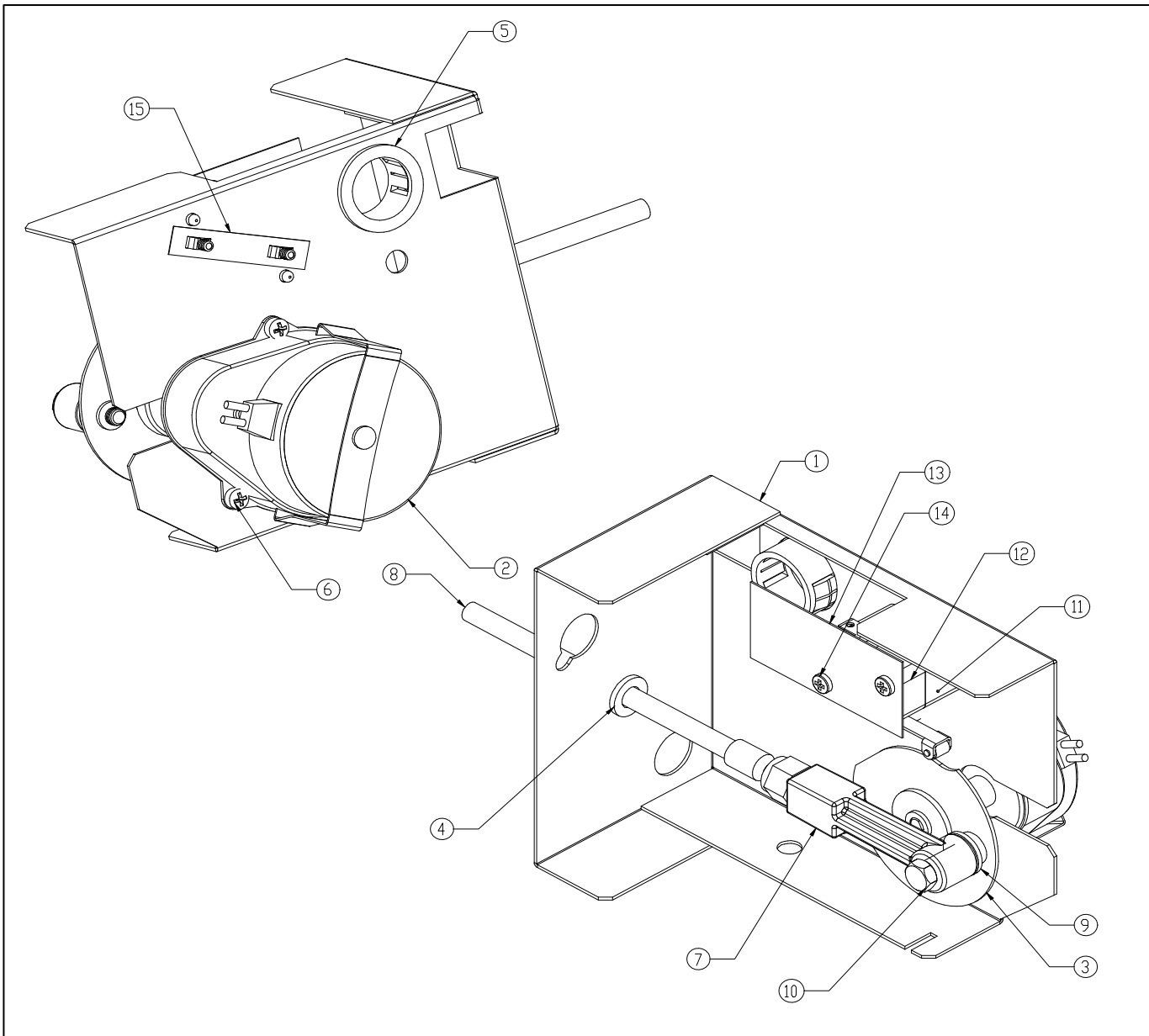
Item	ICEU300	ICEU305	Description
1	3021895-01	3021895-01	Trim Strip RH
2	3051895-02	3051895-02	Trim Strip LH
3	3012149-01	3012149-01	Panel Rear Access
4	9151015-04	N/A	Bushing, Strain Relief
5	9101242-01	N/A	Power Cord
6	9051530-01	9051530-01	Front Grill Large
7	9051531-01	9051531-01	Front Grill Small
8	2101400-01S	2101400-01S	Bin Assembly (Includes Item 10)
9	9031112-01	9031112-01	Hex Head Machine Screw
10	9091122-02	9091122-02	Drain Elbow
11	9021010-04	9021010-04	Clamp
12	2101401-01S	2101401-01S	Bin Door Assembly
	9051525-01	9051525-01	Bin Door
	9031122-03	9031122-03	Thumb Screw
	3013235-01	3013235-01	Door Stop
13	2101402-01S	2101402-01S	Bin Top Assembly
	9051526-01	9051526-01	Top Panel
	3021894-01	3021894-01	Trim Strip LH
	3021894-02	3021894-02	Trim Strip RH
	9031008-46	9031008-46	Screw-Rear of Panel
	9031113-04	9031113-04	Screw-Front of Panel
14	9031023-10	9031023-10	Top Panel Screw
15	9031046-03	9031046-03	Screw
16	9031162-01	9031162-01	Bin Fastener
17	3013161-01	3013221-01	Control Box Cover
18	9021095-01	9021095-01	Leg Set (4 each)
19	9051127-02	9051127-02	Ice Scoop
20	2021646-01	2021646-01	Rear Panel
21	3021883-01	3021883-01	Left Side Panel
22	3021883-01	3021883-01	Right Side Panel



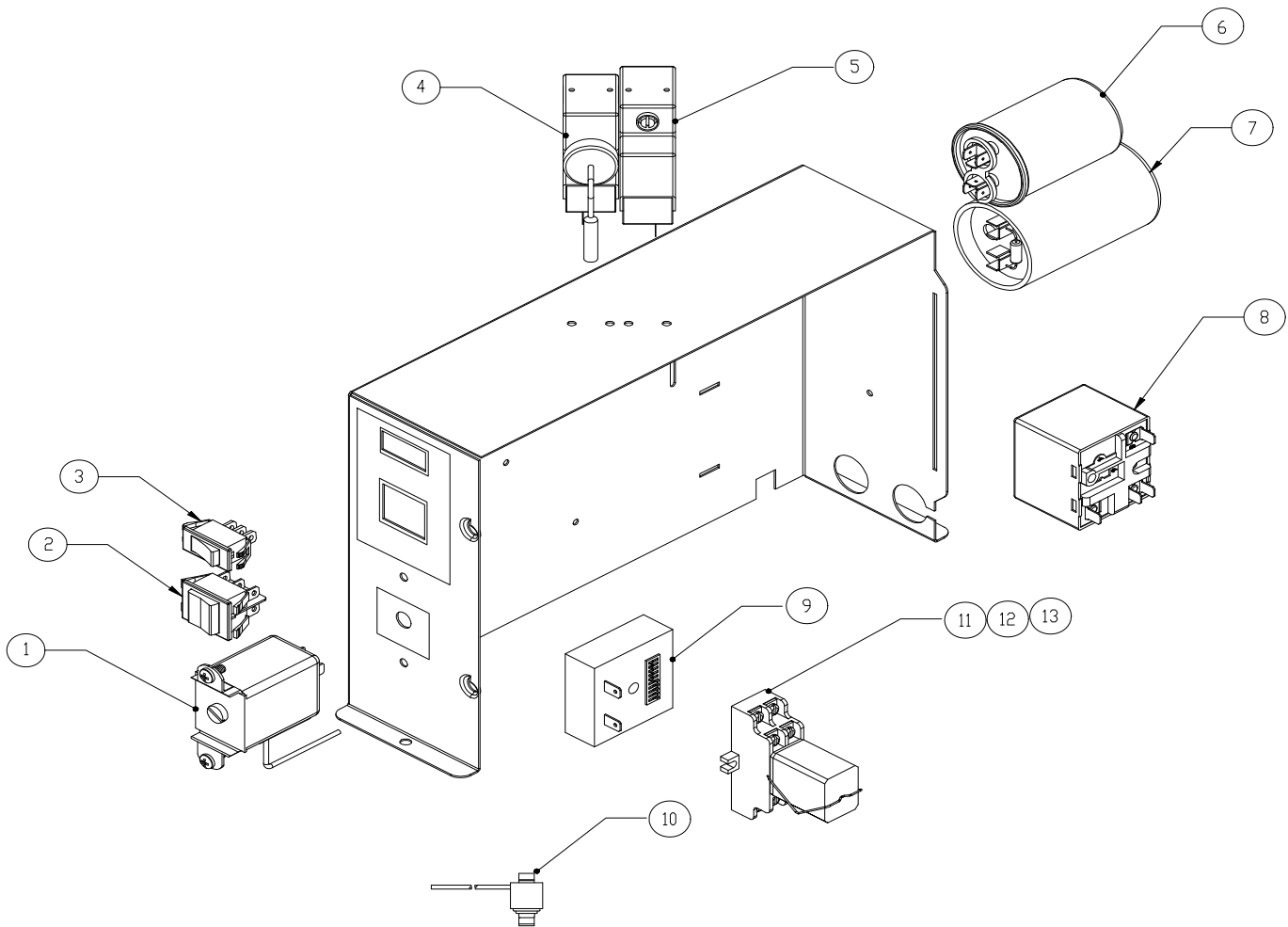
Item	ICEU300	ICEU305	Description
1	9181121-01	9181122-01	Compressor
2	9151134-04	9151134-04	Expansion Valve
3	9151004-02	9151004-02	Drier-Air Cooled
	9151004-05	9151004-05	Drier-Water Cooled
4	9091086-02	9091086-02	Service Valve Core
	9091086-03	9091086-03	Service Valve Cap
5	9151123-06	9151123-06	Hot Gas Valve Body
6	9151123-03	9151123-04	Hot Gas Valve Coil
7	9041086-04	9041086-05	Purge Valve
8	9031004-02	9031004-02	Flat Washer
9	9181002-07	9181002-07	Grommet
10	9031118-02	9031118-02	Lock Nut
11	9181002-08	9181002-08	Sleeve Compressor Mounting
12	9031012-02	9031012-02	Lock Nut (Leg)
13	2021644-01	2021644-01	Base Assembly
14	9141121-01	9141121-01	Water Condenser
15	2101399-01	2101399-01	Water Trough Assembly
16	9031046-24	9031046-24	Water Trough Screws
	9031004-19	9031004-19	Rubber Washer
	3013270-01	3013270-01	Water Trough Support Bracket
17	3013243-01	3013243-01	Fan Bracket
18	9161112-01	9161112-02	Fan Motor
19	9131446-01	9131446-01	Fan Blade
20	3013217-01	3013217-01	Fan Shroud
21	9141128-01	9141128-01	Air Condenser
22	9021010-04	9021010-04	Hose Clamp
23	9091024-01	9091024-01	Barbed Tee
24	9091140-01	9091140-01	Drain Fitting
25	2021646-01	2021646-01	Rear Panel
26	9041059-01	9041059-01	Water Regulator
27	9091063-02	9091063-02	Drop Adapter Fitting
28	9091135-01	9091135-01	Water Inlet Fitting
29	9031118-05	9031118-05	Flanged Lock Nut
30	9041087-03	9041087-03	High Temperature Safety Control
31	3021883-01	3021883-01	Side Panel S/S
32	3021883-01	3021883-01	Side Panel S/S
33	9101218-14	9101218-14	Water Pump Connector
34	2041338-01	2041338-01	Water Distribution Tube

Compressor Components

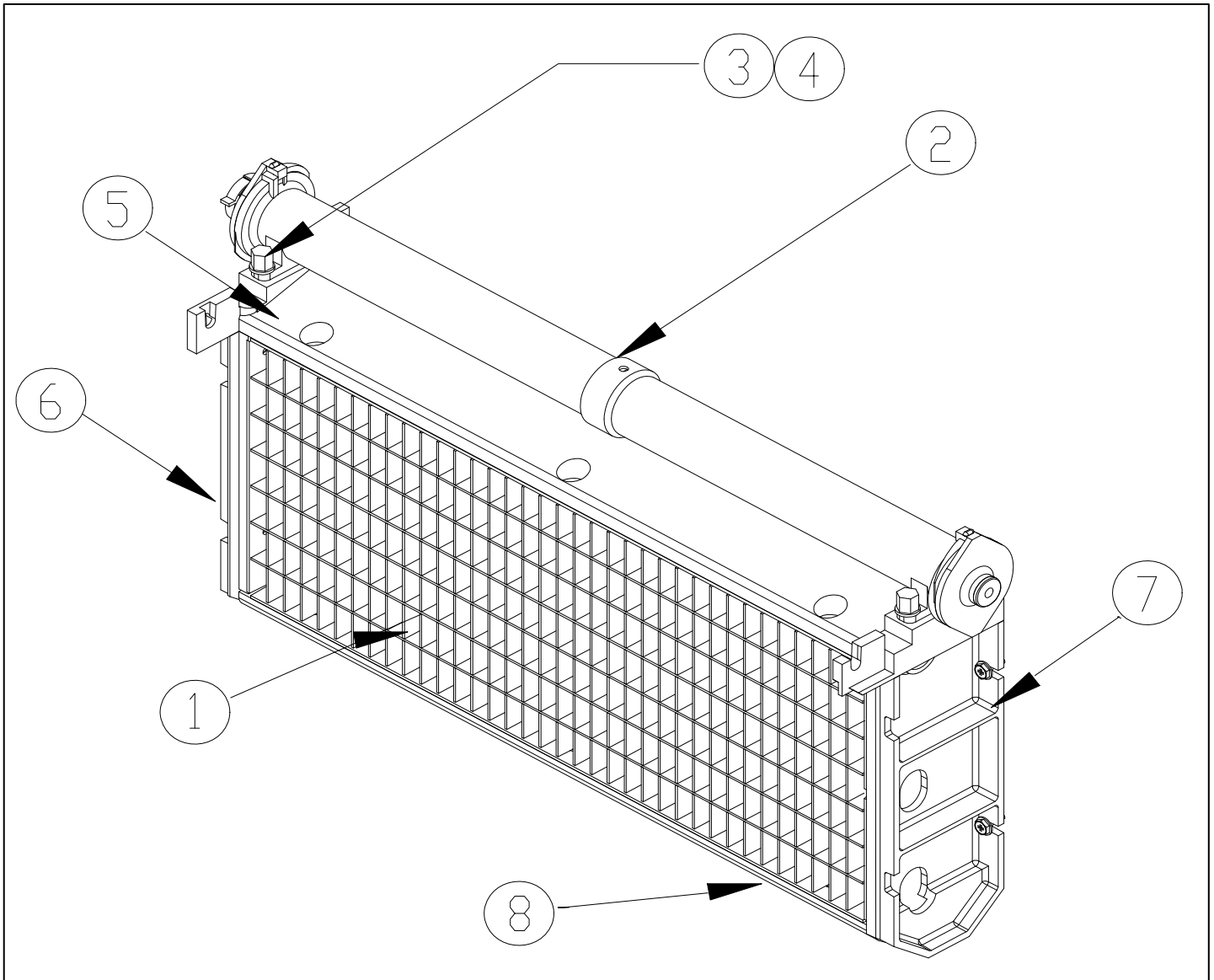
ICEU300	ICEU305	Description
9181121-01	9181122-01	Compressor
9181005-37	9181005-39	Overload
9181003-39	9181003-40	Start Capacitor
9181004-27	9181010-26	Compressor Relay
N/A	9181009-08	Run Capacitor



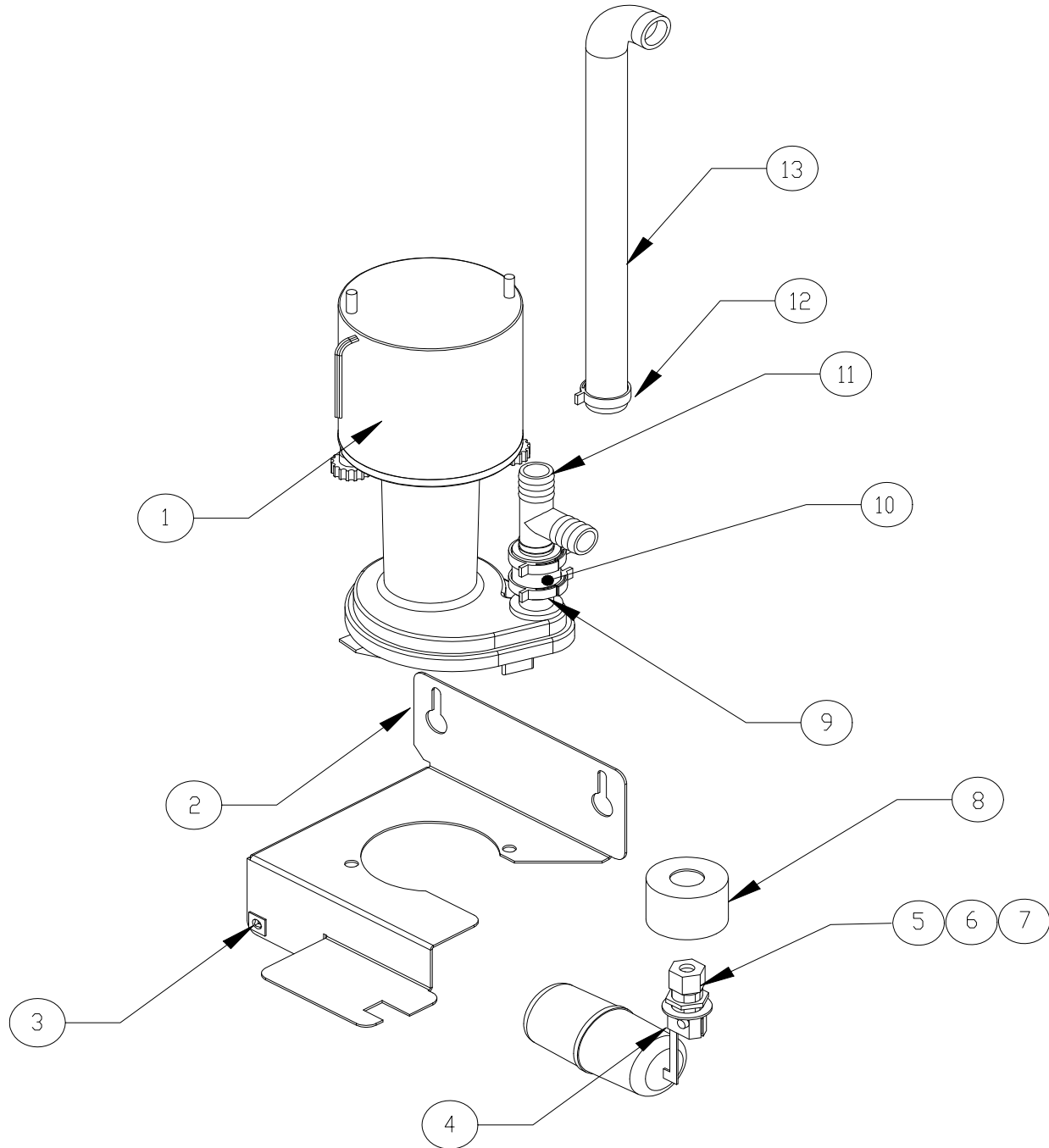
Item	ICEU300	ICEU305	Description
	2061962-05	2061962-07	Harvest Assist Assembly
1	3013170-01	3013170-01	Bracket, Probe Motor
2	9161030-01	9161031-01	Gear Motor
3	9131190-03	9131190-03	Clutch Assembly, 60 Degree
4	9051001-13	9051001-13	Snap Bushing
5	9051001-03	9051001-03	Snap Bushing
6	9031019-08	9031019-08	#6-32 x 1/2 Screw
7	9051057-01	9051057-01	Connecting Rod
8	9021102-01	9021102-01	Probe, Single Length
9	9031003-03	9031003-03	Flat Washer
10	9031119-01	9031119-01	Shoulder Screw
11	9051519-01	9051519-01	Spacer, Cam Switch
12	9101160-01	9101160-01	Cam Switch
13	3051145-02	3051145-02	Insulator
14	9031008-44	9031008-44	Pan Head Screw
15	9031120-01	9031120-01	Speed Nut Plate



Item	ICEU300	ICEU305	D escription
1	9041097-01	9041097-01	Thermostat-Bin Control
2	9101195-01	9101195-01	Ice/Off/Wash Switch
3	9101139-03	9101139-03	Switch-Purge
4	9041095-01	9041095-01	High Pressure Control
5	9041094-01	9041094-01	Low Pressure Control (Timer Initiate)
6	N/A	9181009-08	Run Capacitor
7	9181003-39	9181003-40	Start Capacitor
8	9181004-27	9181010-26	Relay
9	9101148-01	9101148-01	Timing Module
10	9041087-03	9041087-03	High Temperature Safety Control
11	9101084-01	9041084-02	Relay
12	9101083-01	9101083-01	Socket-Relay
13	9041083-02	9041083-02	Hold Down Spring - Relay



Item	ICEU300	ICEU305	Description
1	2051231-82	2051231-82	Evaporator Assembly-Half Cube (Shown)
1	2051231-81	2051231-81	Evaporator Assembly-Full Cube
2	2041338-01	2041338-01	Water Distribution Tube
3	9031122-01	9031122-01	Thumbscrew
4	9031004-19	9031004-19	Rubber Washer
5	9051135-05	9051135-05	Spillway
6	9051136-07	9051136-07	Left Side Evaporator Mounting Panel
7	9051136-08	9051136-08	Right Side Evaporator Mounting Panel
8	9051135-04	9051135-04	Water Return



Item	ICEU300	ICEU305	D escription
1	9161076-01	9161076-02	Water Pump
2	3013219-01	3013219-01	Pump B rack et
3	9031141-01	9031141-01	Plastic N ut
4	9131111-01	9131111-01	Float
5	6021032-01	6021032-01	Tube-Polyethylene - 11 Inches Required
6	9091080-01	9091080-01	B arrel Fitting
7	9091081-01	9091081-01	Sleeve
8	9131026-02	9131026-02	Cap Plug
9	3051223-02	3051223-02	Hose PV C 5/ 8 - 2.00 Inch Req uired
10	9021010-04	9021010-04	Plastic Clamp
11	9091024-01	9091024-01	B arbed Tee
12	9021010-03	9021010-03	Plastic Clamp
13	9051280-05	9051280-05	Drain Tube