

Ice Machines UK Ltd

Unit 10, LDL Business Centre, Station Road West

Ash Vale, Surrey, GU12 5RT.

Tel: 01252 511611 Fax: 01252 511666

www.icemachines.co.uk e-mail: info@icemachines.co.uk

Ice Machine Parts List for Series EC018 Models

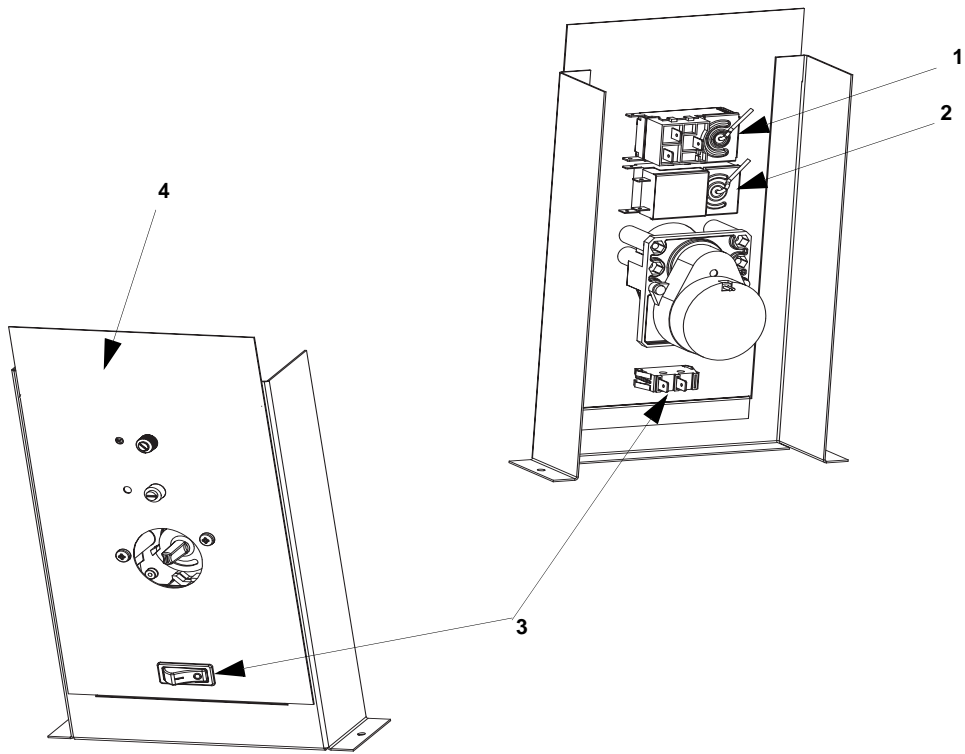
ECG018A

ECS018A

ECM018A



EC18 CONTROL BOX



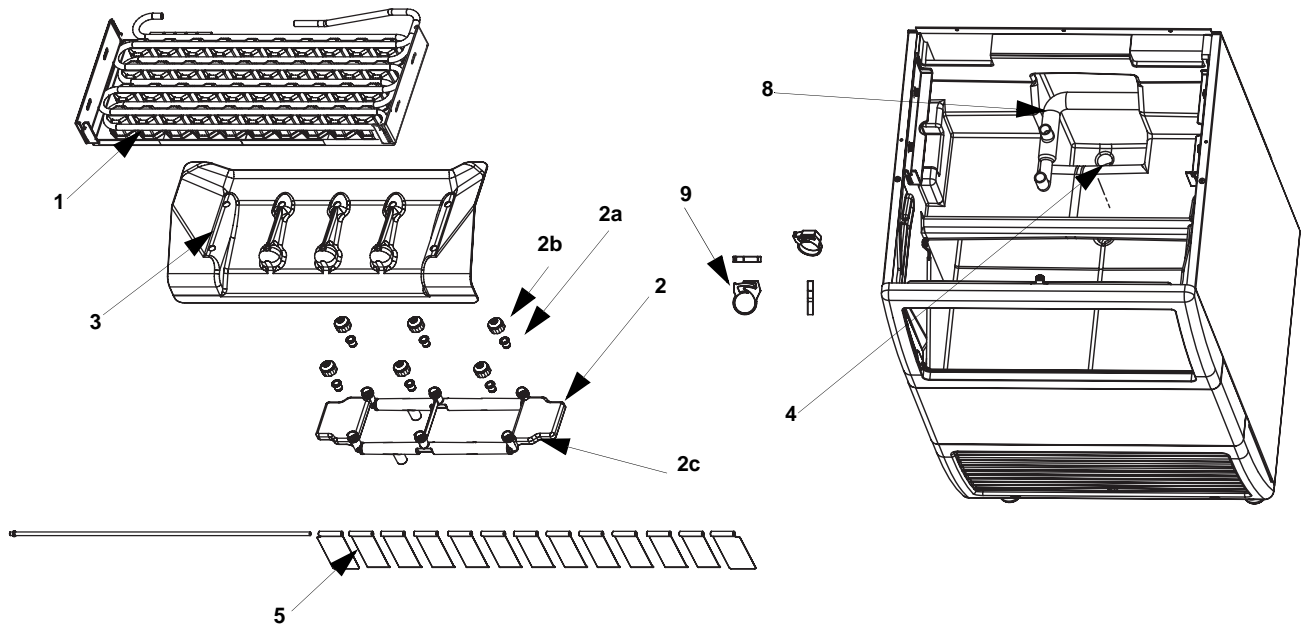
DESCRIPTION

DESCRIPTION	PART NO.
1 Evaporator Thermostat	20-0884-9
2 Bin Thermostat	20-0914-9
3 Toggle Switch	20-0670-9
4 Control Box Cover	606813-9

Miscellaneous – Brackets, Screws, etc.

5 Screw (Mount control box/cover to cabinet)	50-0449-9
6 Wiring Harness, Main	000000828
7 Wiring Harness, Toggle Switch	20-0926-9

EC18 EVAPORATOR ASSEMBLY

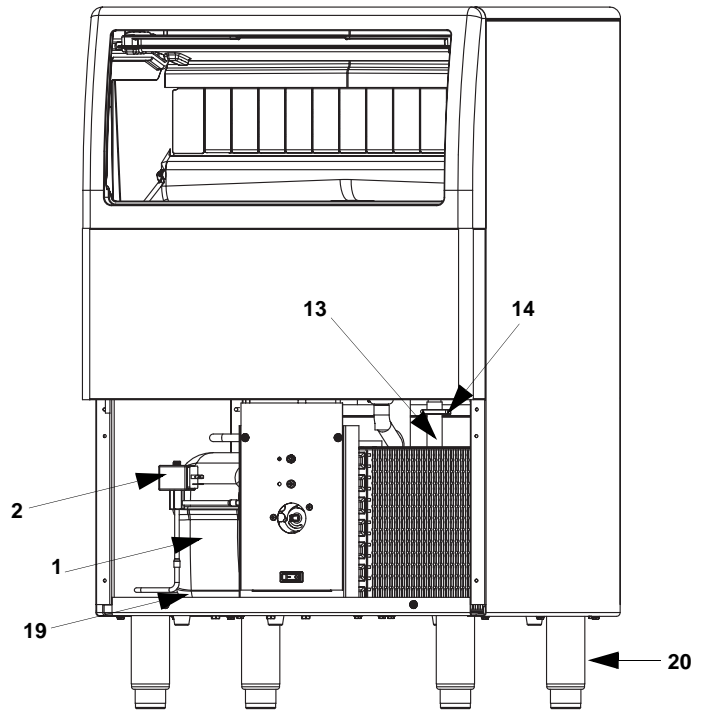
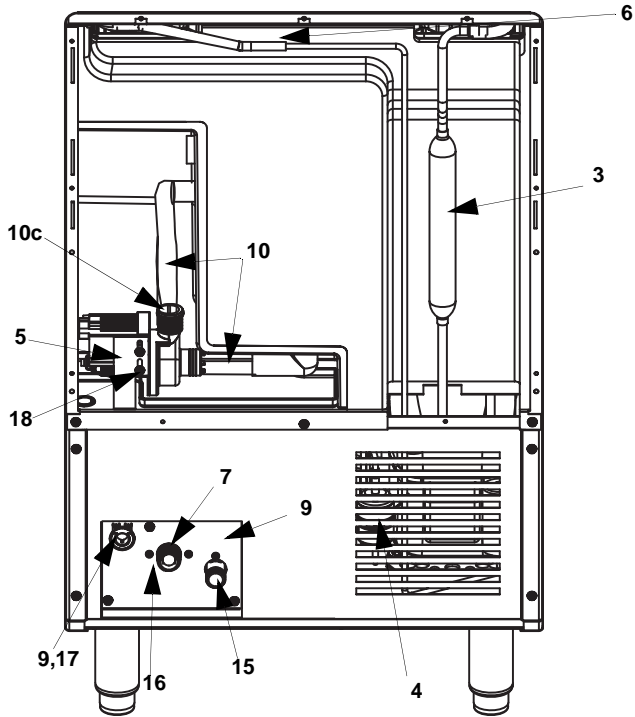


DESCRIPTION

PART NO.

1	Evaporator Assembly	
a.	Standard	30-0642-9
b.	MINI	30-0646-3
c.	Large	30-0643-3
2	Spray Bar Assembly	76-0342-3
a.	Insert (each)	40-0877-9
b.	Cap (each)	40-0876-9
c.	O-ring	50-0463-9
3	Ice Ramp	40-1291-9
4	Standpipe Assembly	
a.	Standpipe	000000278
b.	Plug	40-1036-9
5	Curtain Assembly(6 pieces)	
a.	Paddle	40-0882-9
b.	Rod	000000671
6	Cover.evap/Hanger	40-1432-9
7	Evaporator / Spray Bar Housing	40-1286-9
Miscellaneous – Brackets, Screws, etc.		
8	Tubing (Water Pump Out)	40-1292-9
9	Spray Bar Clamp	56-5064-9

EC18 REFRIGERATION COMPARTMENT – COMMON PARTS

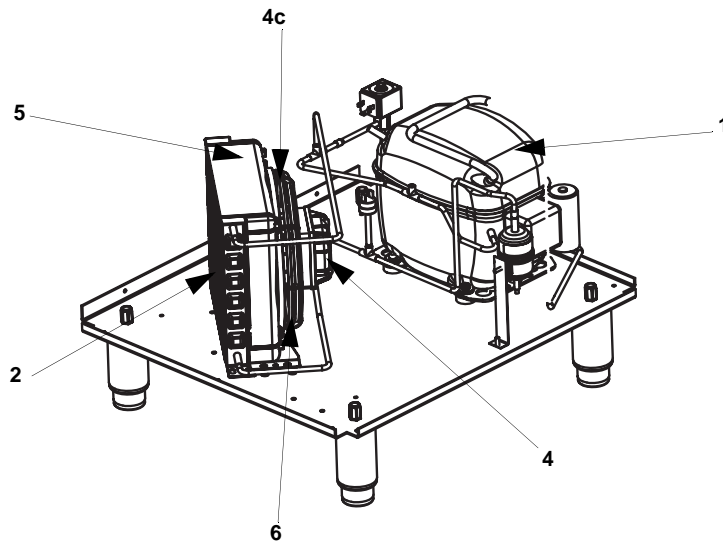


DESCRIPTION

PART NO.

1 Compressor		
a. Embraco 230/50-60/1 Ph.		82-5347-9
Start Relay		20-0941-9
Start Capacitor		20-0969-9
Relay Cover		82-5348-9
Overload Protector		20-0944-9
b. Embraco 115/60/1 Ph.		000000674
Start Relay		000000675
Start Capacitor		000000676
Relay Cover		82-5348-9
Overload Protector		000000677
2 Hot Gas Valve		
a. Hot Gas Valve 230/50-60/1		76-2964-3
b. Hot Gas Valve 115/60/1		20-0740-5
c. Hot Gas Valve Coil Only 230/50-60/1		85-0000-3
3 Cap Tube Assembly		76-0343-3
4 Line Drier		82-5216-9
5 Water Pump		
a. 220V/50Hz		040000034
b. 220V/60Hz		040000035
c. 115V/60 Hz.		000000658
d. Bracket		000000941
6 Evaporator Water Inlet Fitting		40-1116-9
7 Water Inlet Valve		
a. 230/50-60Hz.		000000729
b. 115V/60Hz		000000730
c. Mylar Shield		000000827
8 Power Cord 230/50/1 (Only in China)		20-0839-3
Power Cord 230/50/1 (Except China)		20-3302-3
Power Cord 115/60/1		000000335
9 Accumulator		82-5300-3
Miscellaneous – Brackets, Screws, etc.		
10 Vinyl Tubing		
a. Pump to Spray Bar		000000755
b. Sump to Pump		000000754
c. Clamp		50-0049-3
11 Water Inlet Tubing .375 ID (not shown)		44-2131-3
12 Water Supply Hose		44-2140-9
13 Bin Drain Tube		40-1293-9
14 Drain Line Clamp		50-0049-3
15 Drain Fitting Barbed		40-1128-9
16 Screw 7 x 7 mm (mounts water inlet valve)		50-0442-9
17 Screw 4 x 13 mm (mounts terminal block)		50-0485-9
18 Screw 5 x 13 mm (mounts water pump)		50-0502-9
19 Compressor Mounting		
a. Compressor Mounting Retainer		56-4826-9
b. Compressor Clevis Pin 1/4" x 1"		37-1210-9
c. Compressor Hairpin Clip		56-4828-9
d. Compressor Sleeve		50-0090-9
e. Compressor Rubber Gromet		50-0089-9
f. Compressor Washer		50-0097-9
20 Leg		50-0590-9

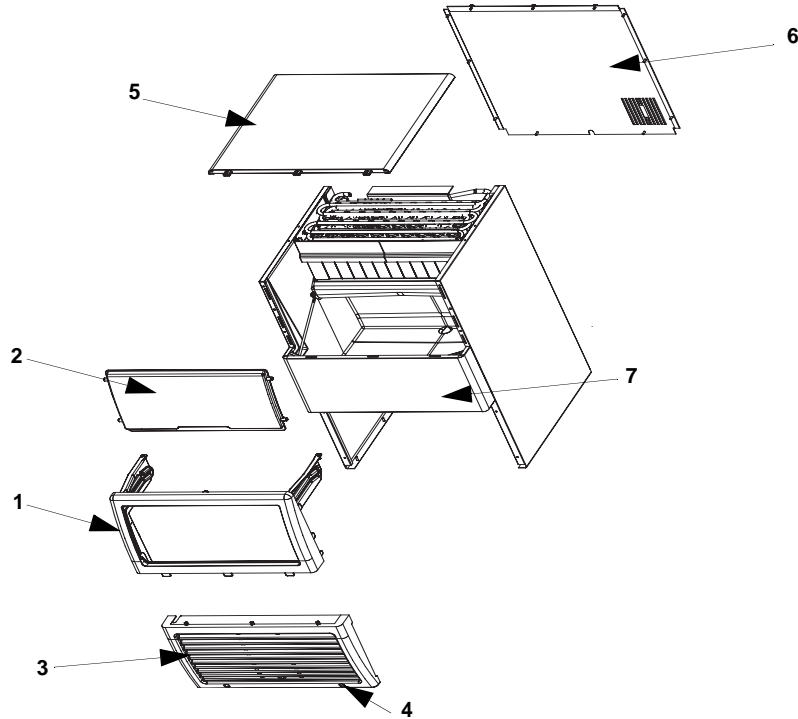
EC18 REFRIGERATION COMPARTMENT – AIR-COOLED



DESCRIPTION

DESCRIPTION	PART NO.
1 Compressor (Refer to COMMON PARTS Page)	Page EC18-4
2 Air Condenser	82-5290-3
3 Baffle - Air Condenser(not shown)	30-0617-9
4 Fan Motor	
a. 230/50-60 Hz	20-0020-9
b. 115/60 Hz	00000694
c. Fan Blade	30-0566-9
Miscellaneous – Brackets, Screws, etc.	
5 Fan Shroud	606822-9
6 Fan Motor Mounting Bracket	606823-1
7 Screw Hex 5 x 13 mm (bracket to shroud)	50-0449-9
8 Screw Hex 4 x 7 x 8 mm (motor to bracket)	50-0551-3

EC18 PANELS



Door – Gray

1	Frame	40-1301-9
2	Door Assembly	40-1305-9
3	Grill	40-1297-9
4	Grill Screws (5 x 13 mm)	50-0449-9
5	Top Cover	76-0345-3
6	Back Panel	60-6417-9
7	Front Panel	76-0344-3
8	Leg Levelers	50-0590-9
9	Rear Utility Panel(not shown)	000000753

Door – Blue

1	Frame	40-1302-9
2	Door Assembly	40-1306-9
3	Grill	40-1298-9
4	Grill Screws (5 x 13 mm)	50-0449-9
5	Top Cover	76-0345-3
6	Back Panel	60-6417-9
7	Front Panel	76-0344-3
8	Leg Levelers	50-0590-9
9	Rear Utility Panel(not shown)	000000753

Door – Light Gray

1	Frame	40-1303-9
2	Door Assembly	40-1307-9
3	Grill	40-1299-9
4	Grill Screws (5 x 13 mm)	50-0449-9
5	Top Cover	76-0345-3
6	Back Panel	60-6417-9
7	Front Panel	76-0344-3
8	Leg Levelers	50-0590-9
9	Rear Utility Panel(not shown)	000000753