

# Ice Machines UK Ltd

Unit 10, LDL Business Centre, Station Road West

Ash Vale, Surrey, GU12 5RT.

Tel: 01252 511611 Fax: 01252 511666

[www.icemachines.co.uk](http://www.icemachines.co.uk) e-mail: [info@icemachines.co.uk](mailto:info@icemachines.co.uk)

## Ice Machine Parts List for Series EC040 Models

**ECG040A**

**ECG040W**

**ECS040A**

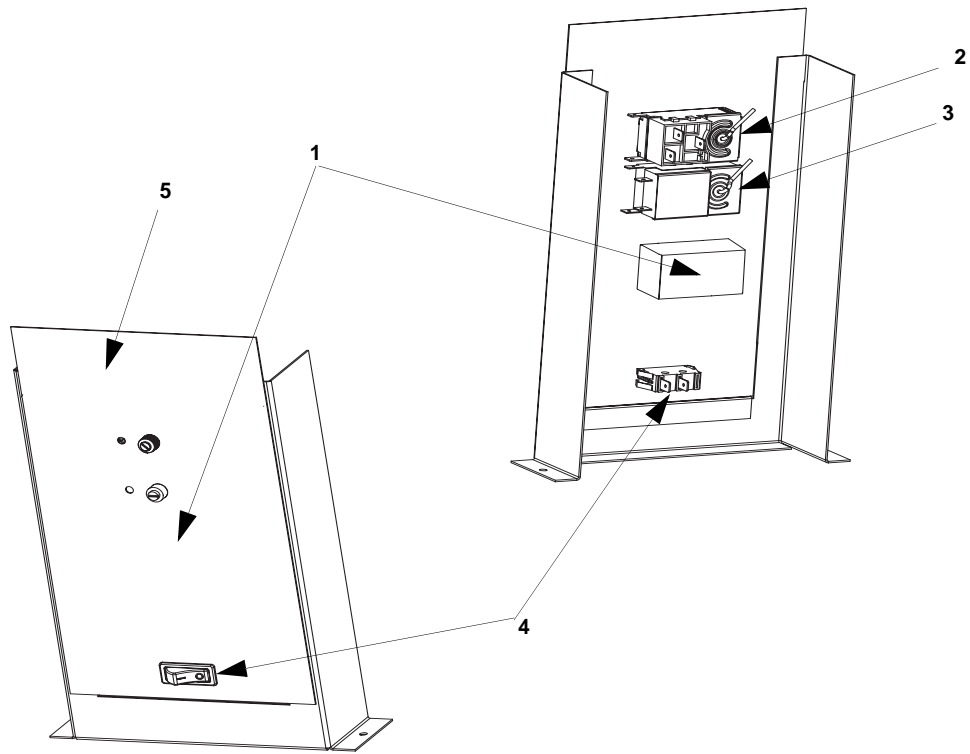
**ECS040W**

**ECM040A**

**ECM040W**



# EC40 CONTROL BOX



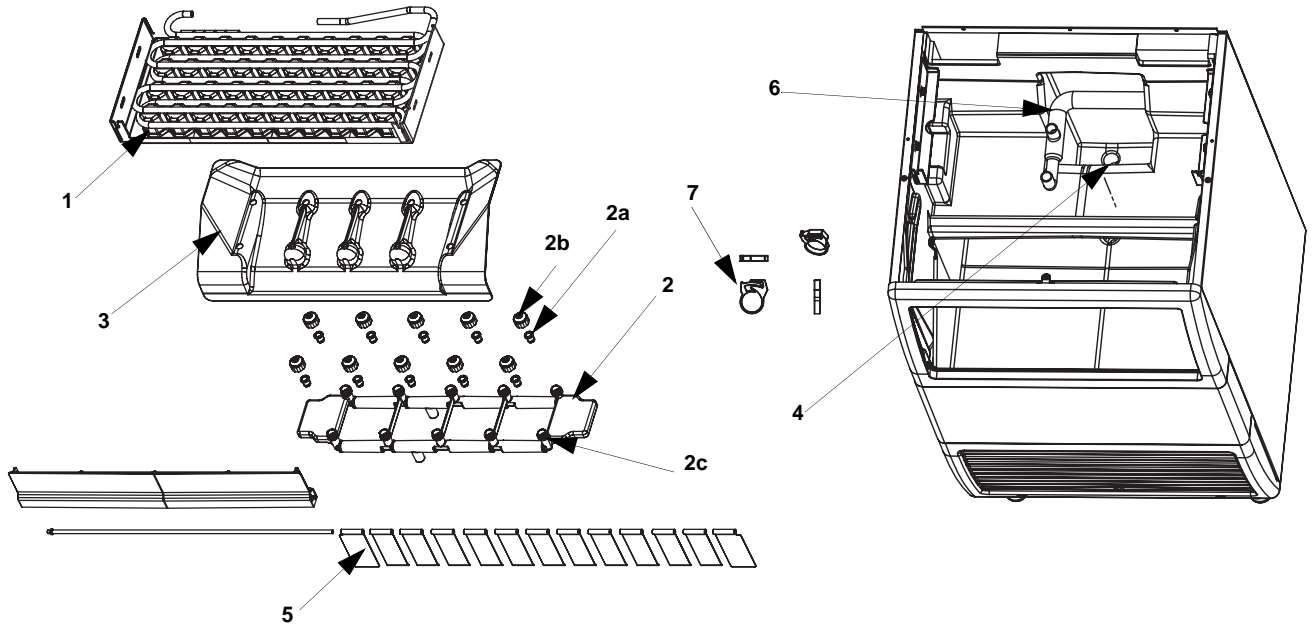
## DESCRIPTION

	<b>DESCRIPTION</b>	<b>PART NO.</b>
1	Mechanical Timer(Up to SN 061253493) . . . . .	20-0664-9
	SCR Timer(After SN 061253493) . . . . .	20-0978-9
2	Evaporator Thermostat . . . . .	20-0883-3
3	Bin Thermostat . . . . .	20-0914-9
4	Toggle Switch . . . . .	20-0670-9
5	Control Box Cover . . . . .	60-5599-9

## Miscellaneous – Brackets, Screws, etc.

6	Screw, 7 x 30 mm . . . . .	50-0443-9
7	Screw (Mount control box/cover to cabinet) . . . . .	50-0449-9
8	Wiring Harness, Main . . . . .	000001181
9	Wiring Harness, Toggle Switch . . . . .	20-0977-3

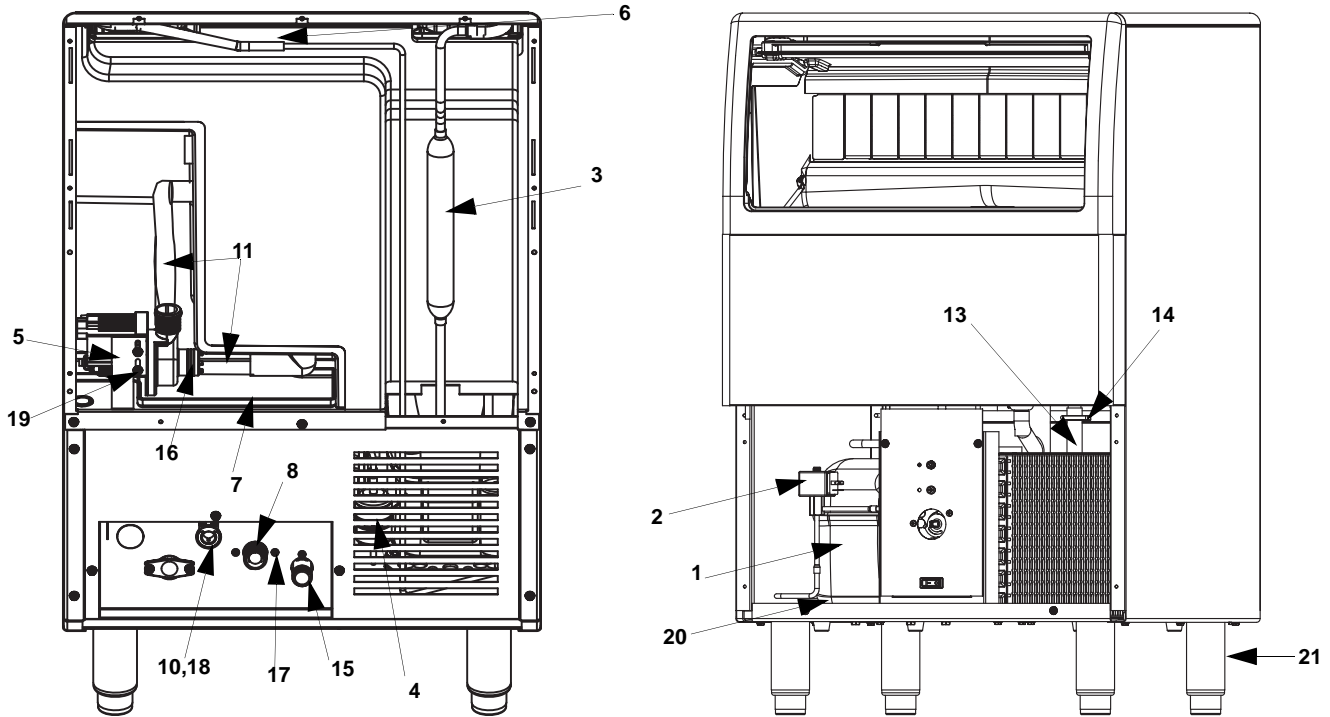
# EC40 EVAPORATOR ASSEMBLY



## DESCRIPTION

	DESCRIPTION	PART NO.
1	<b>Evaporator Assembly</b>	
	a. Large .....	76-0234-3
	a. Standard .....	76-0235-3
	b. Mini .....	76-0236-3
2	<b>Spray Bar Assembly</b> .....	<b>76-0237-3</b>
	a. Insert (each) .....	40-0877-9
	b. Cap (each) .....	40-0876-9
	c. O-ring .....	50-0463-9
3	<b>Ice Ramp</b> .....	40-1103-9
4	<b>Standpipe Assembly</b>	
	a. Standpipe .....	40-1037-9
	b. Plug .....	40-1036-9
5	<b>Curtain Assembly</b>	
	a. Paddle (Each uses 12 per machine) .....	40-1258-9
	b. Rod .....	30-0455-9
	c. Hanger .....	40-1127-9
<b>Miscellaneous – Brackets, Screws, etc.</b>		
6	Tubing (Water Pump Out) .....	000000943
7	Spray Bar Clamp .....	50-0508-9
8	Water Inlet Diverter .....	60-7248-1
9	Pump Inlet Screen .....	40-1493-9
10	Water Supply Hose .....	000001220

# EC40 REFRIGERATION COMPARTMENT – COMMON PARTS

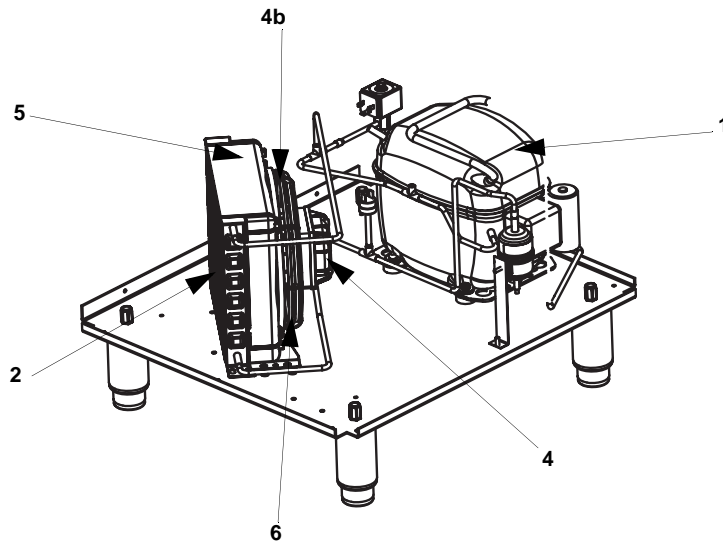


## DESCRIPTION

## PART NO.

<b>1 Compressor</b>		
a. Up to SN 050752034 and the SN 31000673 & SN31000674, and After SN 310015292	Danfoss 230/50-60/1 Ph Start Relay	76-0238-3
	Start Capacitor	20-0609-9
	Overload Protector	20-0606-9
b. From SN 050752035 to SN 310015273	Embraco 230/50-60/1 Ph Start Relay	82-5364-3
	Start Capacitor	20-1007-3
	Overload Protector	20-1009-3
<b>2 Hot Gas Valve</b>		
a. Hot Gas Valve 230/50-60/1		76-0239-3
	Hot Gas Valve Coil Only 230/50-60/1	000001144
<b>3 Cap Tube Assembly</b>		76-0240-3
<b>4 Line Drier</b>		82-5216-9
<b>5 Water Pump</b>		
a. 230V/50 Hz		040000038
b. 230V/60 Hz		040000039
c. Bracket		000000794
<b>6 Evaporator Water Inlet Fitting</b>		40-1116-9
<b>7 Condensate Tray</b>		40-0875-9
<b>8 Water Inlet Valve</b>		
a. 230V/50-60 Hz		000000887
b. Mylar Shield		000000827
<b>9 Power Cord 230/50/1 (not shown, Except China)</b>		20-3302-3
<b>Power Cord 220/50/1 (not shown, Only in China)</b>		20-0839-3
<b>10 Terminal Block</b>		20-0668-9
<b>Miscellaneous – Brackets, Screws, etc.</b>		
<b>11 Vinyl Tubing</b>		
a. Pump to Spray Bar		000000943
b. Sump to Pump		000000942
<b>12 Water Inlet Tubing .375 ID (not shown)</b>		40-0902-9
<b>13 Bin Drain Tube</b>		000000195
<b>14 Drain Line Clamp</b>		50-0510-9
<b>15 Drain Fitting Barbed</b>		40-1128-9
<b>16 Water Pump Inlet/Outlet Clamp</b>		50-0508-9
<b>17 Screw 7 x 7 mm (mounts water inlet valve)</b>		50-0442-9
<b>18 Screw 4 x 13 mm (mounts terminal block)</b>		50-0485-9
<b>19 Screw 5 x 13 mm (mounts water pump)</b>		50-0502-9
<b>20 Compressor Mounting</b>		
a. Compressor Mounting Retainer		56-4826-9
b. Compressor Clevis Pin 1/4" x 1"		37-1210-9
c. Compressor Hairpin Clip		56-4828-9
d. Compressor Sleeve		50-0090-9
e. Compressor Rubber Gromet		50-0089-9
f. Compressor Washer		50-0097-9
<b>21 Leg</b>		50-0525-9

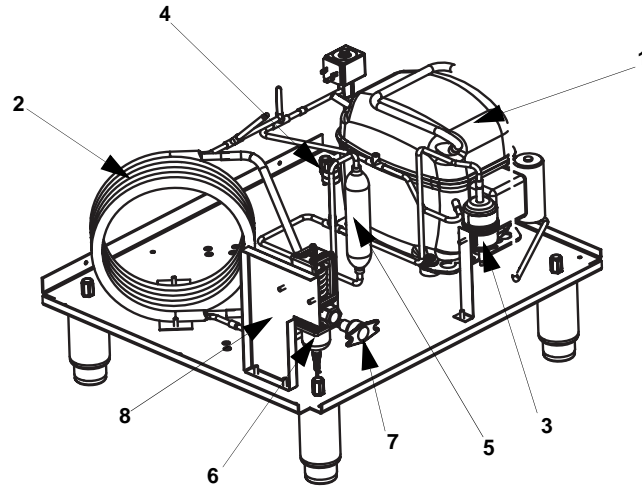
# EC40 REFRIGERATION COMPARTMENT – AIR-COOLED



## DESCRIPTION

	<b>PART NO.</b>
1 Compressor (Refer to COMMON PARTS Page) .....	Page EC40-4
2 Air Condenser .....	88-5135-9
3 Baffle - Air Condenser .....	30-0564-9
<b>4 Fan Motor</b>	
a. 230V/50 Hz .....	20-0021-9
b. Fan Blade .....	30-0565-9
<b>Miscellaneous – Brackets, Screws, etc.</b>	
5 Fan Shroud .....	60-2938-9
6 Fan Motor Mounting Bracket .....	60-6174-9
7 Screw Hex 5 x 31 mm (bracket to shroud) .....	50-0449-9
8 Screw Php 7 x 7 mm (motor to bracket) .....	50-0442-9
9 Lockwasher .....	50-0523-9

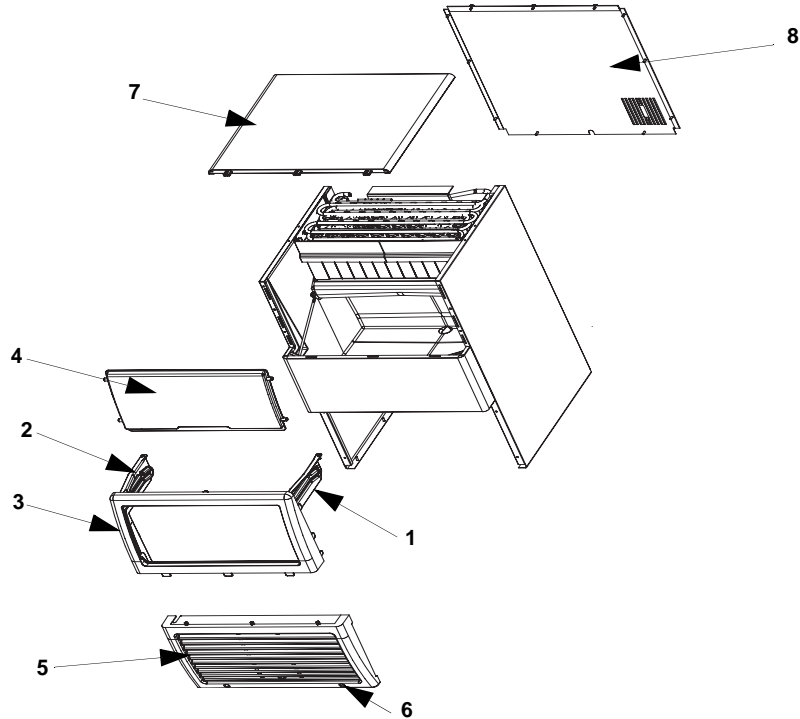
# EC40 REFRIGERATION COMPARTMENT – WATER-COOLED



## DESCRIPTION

	<b>PART NO.</b>
1 Compressor (Refer to COMMON PARTS Page) . . . . .	Page EC40-4
2 Water Condenser . . . . .	82-5252-9
3 Liquid Line Drier . . . . .	82-5216-9
4 HPCO . . . . .	20-0683-9
5 Receiver . . . . .	82-5251-9
6 Water Regulating Valve . . . . .	82-5272-9
a. Coupling 3/8 F x 3/8 NPT . . . . .	83-3202-3
<b>Miscellaneous – Brackets, Screws, etc.</b>	
7 Adapter 1/2 NPTF . . . . .	87-0610-3
8 Bracket . . . . .	605603-9

# EC40 PANELS



## Door – Gray

1	Right Hand Track . . . . .	40-0867-9
2	Left Hand Track . . . . .	40-0868-9
3	Frame . . . . .	40-0883-9
4	Door Assembly . . . . .	40-0919-9
5	Grill . . . . .	40-0872-9
6	Grill Screws (5 x 13 mm) . . . . .	50-0449-9
7	Top Cover . . . . .	60-5601-9
8	Back Panel . . . . .	60-5604-9
9	Rear Utility Panel . . . . .	000001154

## Door – Blue

1	Right Hand Track . . . . .	40-0925-9
2	Left Hand Track . . . . .	40-0926-9
3	Frame . . . . .	40-0928-9
4	Door Assembly . . . . .	40-0922-9
5	Grill . . . . .	40-0927-9
6	Grill Screws (5 x 13 mm) . . . . .	50-0449-9
7	Top Cover . . . . .	60-5601-9
8	Back Panel . . . . .	60-5604-9
9	Rear Utility Panel . . . . .	000001154

## Door – Light Gray

1	Right Hand Track . . . . .	40-0932-9
2	Left Hand Track . . . . .	40-0933-9
3	Frame . . . . .	40-0936-9
4	Door Assembly . . . . .	40-0937-9
5	Grill . . . . .	40-0934-9
6	Grill Screws (5 x 13 mm) . . . . .	50-0449-9
7	Top Cover . . . . .	60-5601-9
8	Back Panel . . . . .	60-5604-9
9	Rear Utility Panel . . . . .	000001154