

Ice Machines UK Ltd

Unit 10, LDL Business Centre, Station Road West

Ash Vale, Surrey, GU12 5RT

Tel: 01252 511611 Fax: 01252 511666

www.icemachines.co.uk e-mail: info@icemachines.co.uk

Ice Machine Parts List for Series EC050 Models

ECG050A

ECG050W

ECS050A

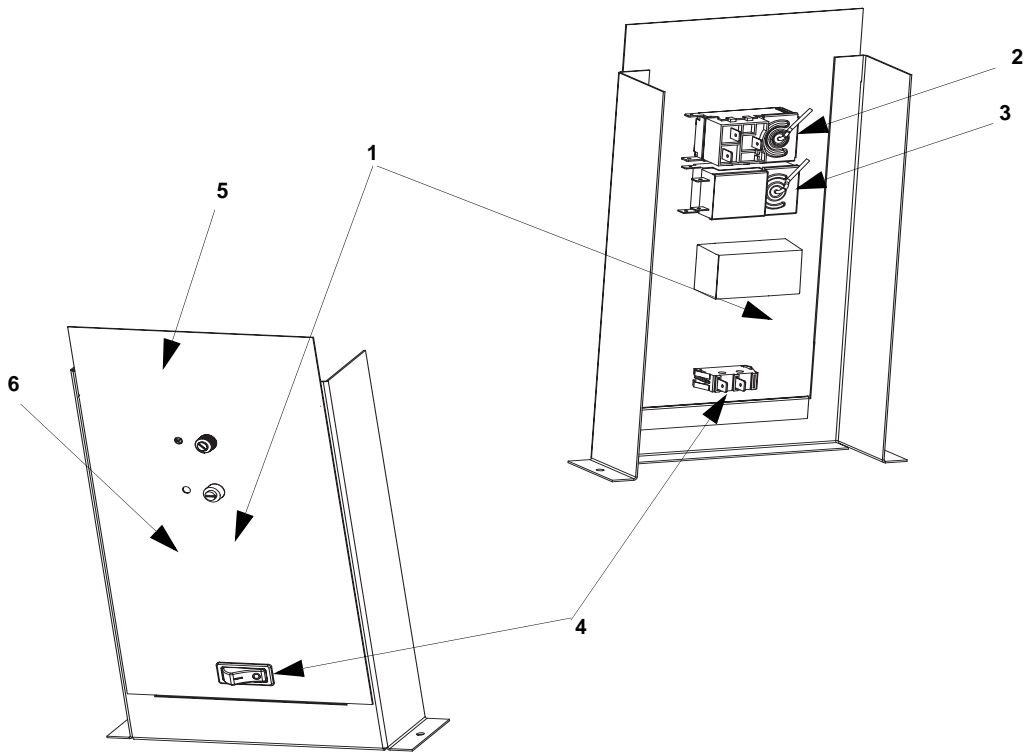
ECS050W

ECM050A

ECM050W



EC50 CONTROL BOX



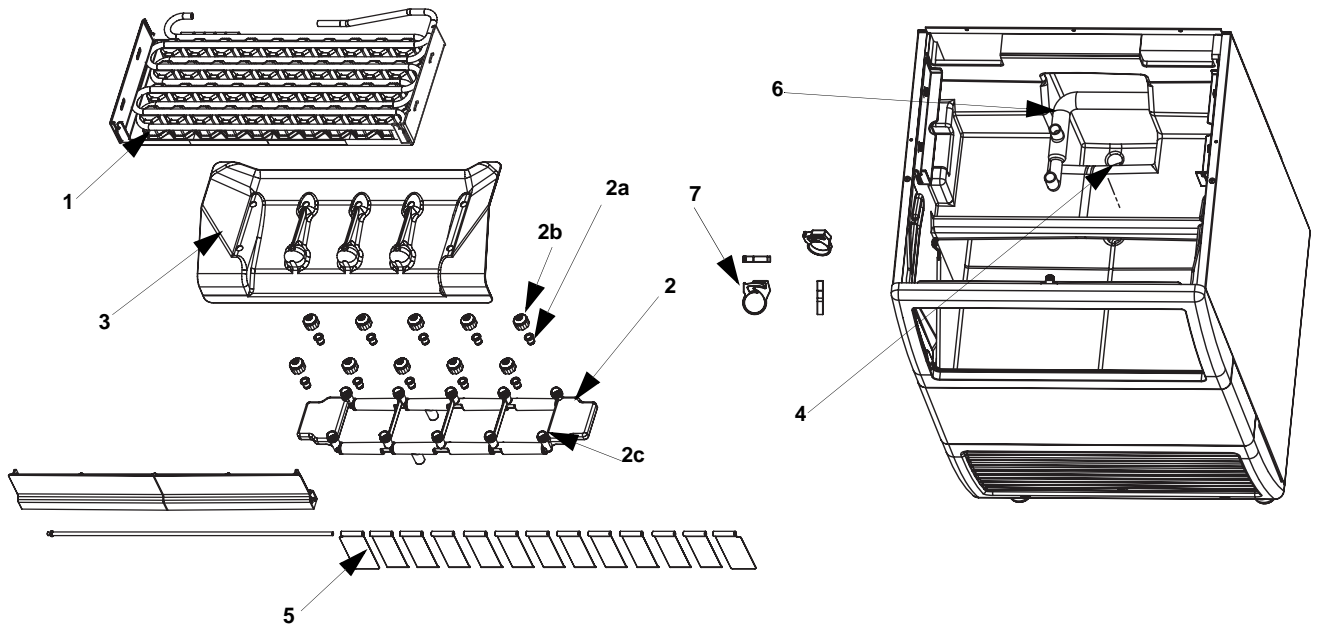
DESCRIPTION

	DESCRIPTION	PART NO.
1	Mechanical Timer(Up to SN 061252906)	20-0664-9
	SCR Timer(After SN 061252906)	20-0978-9
2	Evaporator Thermostat	20-0883-3
3	Bin Thermostat	20-0914-9
4	Toggle Switch	20-0670-9
5	Control Box Cover	605599-9

Miscellaneous – Brackets, Screws, etc.

6	Screw, 7 x 30 mm	50-0443-9
7	Screw (Mount control box/cover to cabinet)	50-0449-9
8	Wiring Harness, Main	000001181
9	Wiring Harness, Toggle Switch	20-0977-3

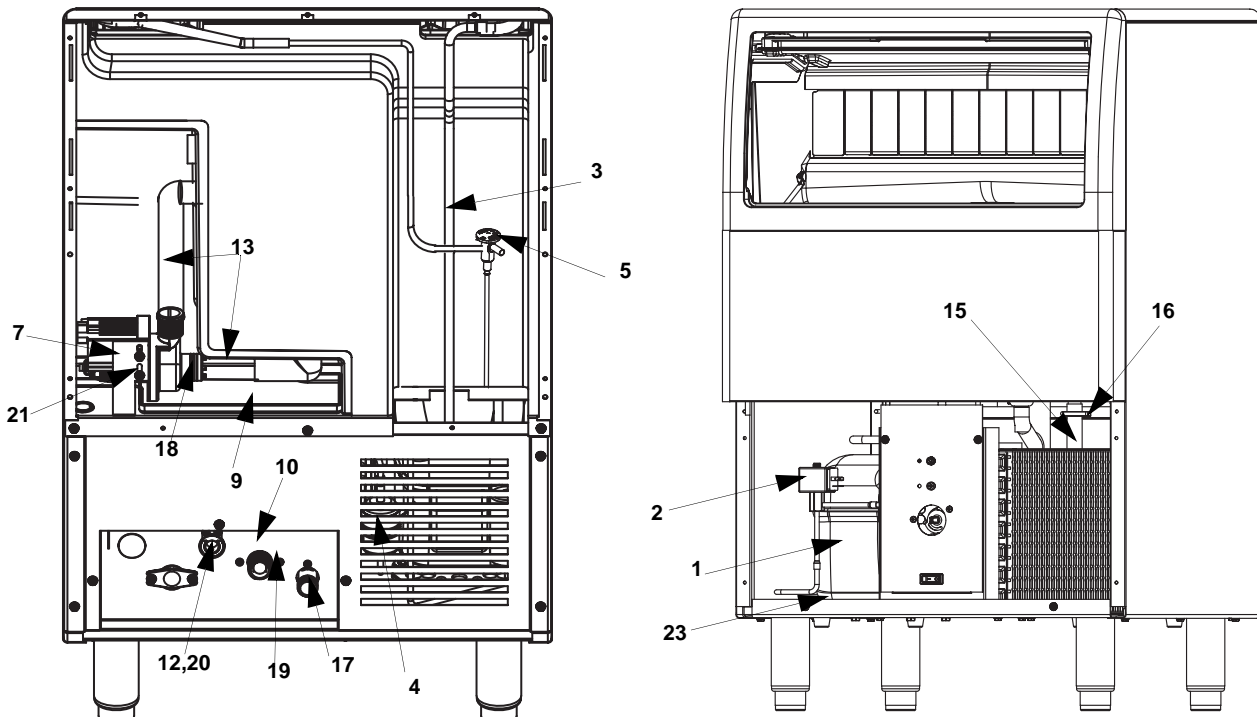
EC50 EVAPORATOR ASSEMBLY



DESCRIPTION

	DESCRIPTION	PART NO.
1	Evaporator Assembly	
	a. Large	76-0234-3
	a. Standard	76-0235-3
	b. Mini	76-0236-3
2	Spray Bar Assembly	76-0237-3
	a. Insert (each)	40-0877-9
	b. Cap (each)	40-0876-9
	c. O-ring	50-0463-9
3	Ice Ramp	40-1103-9
4	Standpipe Assembly	
	a. Standpipe	40-1037-9
	b. Plug	40-1036-9
5	Curtain Assembly	
	a. Paddle (each uses 12 per machine)	40-1258-9
	b. Rod	30-0455-9
	c. Hanger	40-1127-9
Miscellaneous – Brackets, Screws, etc.		
6	Tubing (Water Pump Out)	000000943
7	Spray Bar Clamp	50-0508-9
8	Water Inlet Diverter	60-7248-1
9	Pump Inlet Screen	40-1493-9

EC50 REFRIGERATION COMPARTMENT – COMMON PARTS



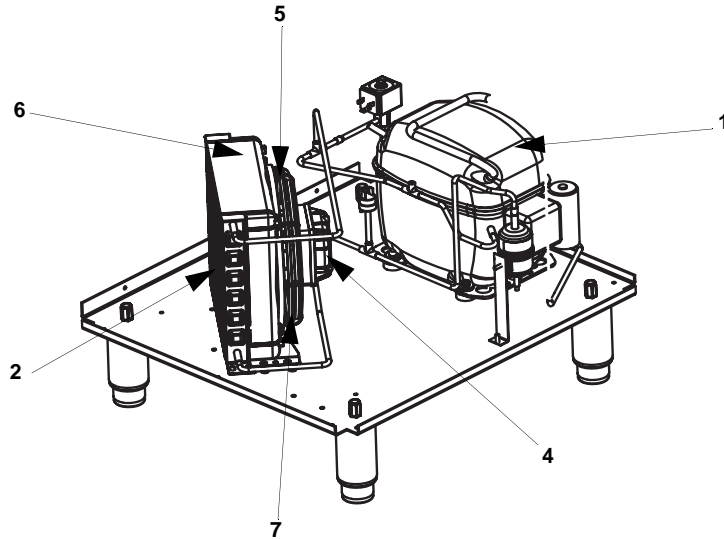
DESCRIPTION

PART NO.

1 Compressor		
a. 230/50-60/1 Ph Danfoss	Start Relay	76-0243-3
	Start Capacitor	20-0610-9
		20-0606-9
b. 115/60/1 Ph Danfoss	Start Relay	040000165
	Start Capacitor	82-5103-3
		82-5102-3
2 Hot Gas Valve		
a. Hot Gas Valve 230/50-60/1 Ph		76-0239-3
	Hot Gas Valve Coil Only 230/50-60/1 Ph	000001144
b. Hot Gas Valve 115/60/1 Ph		040000226
	Hot Gas Valve Coil Only 115/60/1 Ph	000001985
3 Heat Exchanger		76-0241-3
4 Line Drier		82-5215-9
5 Expansion Valve		76-0242-3
a. Clamp		56-5052-9
6 Insulation		
a. TXV Boot		40-0040-3
a. TXV Bulb		40-0720-3
7 Water Pump		
a. 220V/50 Hz		040000038
b. 220V/60 Hz		040000039
c. 115V/60 Hz		000000658
d. Bracket		000000794
8 Evaporator Water Inlet Fitting		40-1116-9
9 Condensate Tray		40-0875-9
10 Water Inlet Valve		
230V/50-60 Hz		000000887
115V/60 Hz		000000889
Mylar Shield		000000827
11 Power Cord 230/50/1 (not shown, Except China)		20-3302-3
Power Cord 230/50/1 (not shown, Only in China)		20-0839-3
Power Cord 115/60/1 (not shown)		000000335
12 Terminal Block		20-0668-9
Miscellaneous – Brackets, Screws, etc.		
13 Vinyl Tubing		
a. Pump to Spray Bar		000000943
b. Sump to Pump		000000942
14 Water Inlet Tubing .375 ID (not shown)		40-0902-9
15 Bin Drain Tube		000000195
16 Drain Line Clamp		50-0510-9
17 Drain Fitting Barbed		40-1128-9
18 Water Pump Inlet/Outlet Clamp		50-0508-9
19 Screw 7 x 7 mm (mounts water inlet valve)		50-0442-9
20 Screw 4 x 13 mm (mounts terminal block)		50-0485-9
21 Screw 5 x 13 mm (mounts water pump)		50-0502-9

22	Restrictor	20-0823-9
23	Compressor Mounting	
	a. Compressor Mounting Retainer	56-4826-9
	b. Compressor Clevis Pin 1/4" x 1"	37-1210-9
	c. Compressor Hairpin Clip.....	56-4828-9
	d. Compressor Sleeve	50-0090-9
	e. Compressor Rubber Gromet.....	50-0089-9
	f. Compressor Washer	50-0097-9

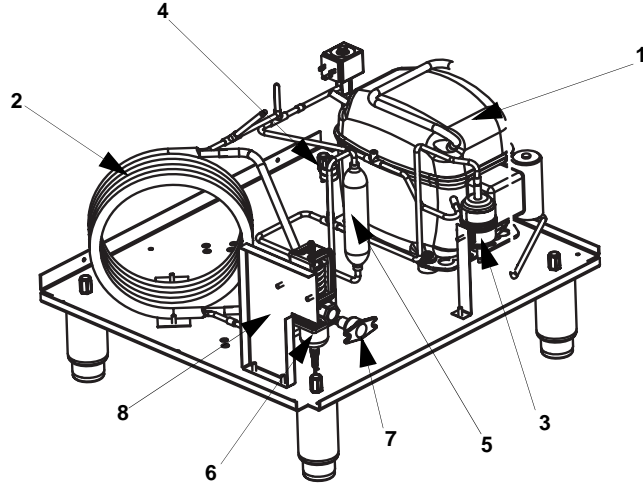
EC50 REFRIGERATION COMPARTMENT – AIR-COOLED



DESCRIPTION

DESCRIPTION	PART NO.
1 Compressor (Refer to COMMON PARTS Page)	Page EC50-4
2 Air Condenser	88-5135-9
3 Baffle -Air Condenser	30-0564-9
4 Fan Motor	
a. 230V/50 Hz	20-0021-9
a. 115V/60 Hz	20-0022-3
5 Fan Blade	30-0565-9
Miscellaneous – Brackets, Screws, etc.	
6 Fan Shroud	602938-9
7 Fan Motor Mounting Bracket	606174-9
8 Screw Hex 5 x 31 mm (bracket to shroud)	50-0449-9
9 Screw Php 7 x 7 mm (motor to bracket)	50-0442-9
10 Lockwasher	50-0523-9

EC50 REFRIGERATION COMPARTMENT – WATER-COOLED

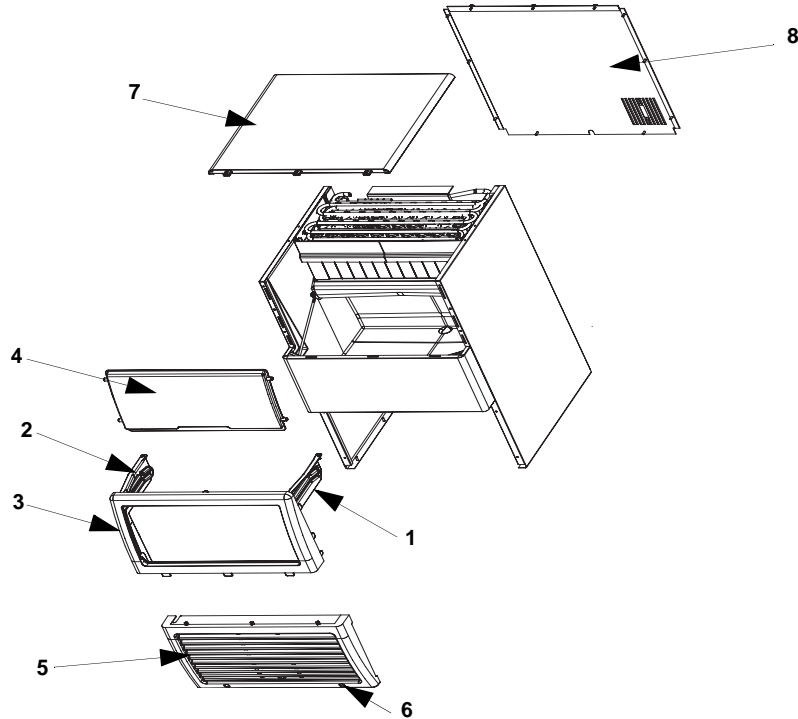


DESCRIPTION

PART NO.

1	Compressor (Refer to COMMON PARTS Page)	Page EC50-4
2	Water Condenser	82-5252-9
3	Liquid Line Drier	82-5215-9
4	HPCO	20-0683-9
5	Receiver	82-5251-9
6	Water Regulating Valve	82-5272-9
	a. Coupling 3/8 F x 3/8 NPT	83-3202-3
Miscellaneous – Brackets, Screws, etc.		
7	Adapter 1/2 NPTF	87-0610-3
8	Bracket	605603-9

EC50 PANELS



Door – Gray

1	Right Hand Track	40-0867-9
2	Left Hand Track	40-0868-9
3	Frame	40-0883-9
4	Door Assembly	40-0919-9
5	Grill	40-0872-9
6	Grill Screws (5 x 13 mm)	50-0449-9
7	Top Cover	605601-9
8	Back Panel	605604-9
9	Rear Utility Panel	000001154

Door – Blue

1	Right Hand Track	40-0925-9
2	Left Hand Track	40-0926-9
3	Frame	40-0928-9
4	Door Assembly	40-0922-9
5	Grill	40-0927-9
6	Grill Screws (5 x 13 mm)	50-0449-9
7	Top Cover	605601-9
8	Back Panel	605604-9
9	Rear Utility Panel	000001154

Door - Light Gray

1	Right Hand Track	40-0932-9
2	Left Hand Track	40-0933-9
3	Frame	40-0936-9
4	Door Assembly	40-0937-9
5	Grill	40-0934-9
6	Grill Screws (5 x 13 mm)	50-0449-9
7	Top Cover	605601-9
8	Back Panel	605604-9
9	Rear Utility Panel	000001154