

Ice Machines UK Ltd

Unit 10, LDL Business Centre, Station Road West
Ash Vale, Surrey, GU12 5RT.

Tel: 01252 511611 Fax: 01252 511666

www.icemachines.co.uk e-mail: info@icemachines.co.uk

Ice Machine Parts List for Series EC065 Models

ECG065A

ECG065W

ECS065A

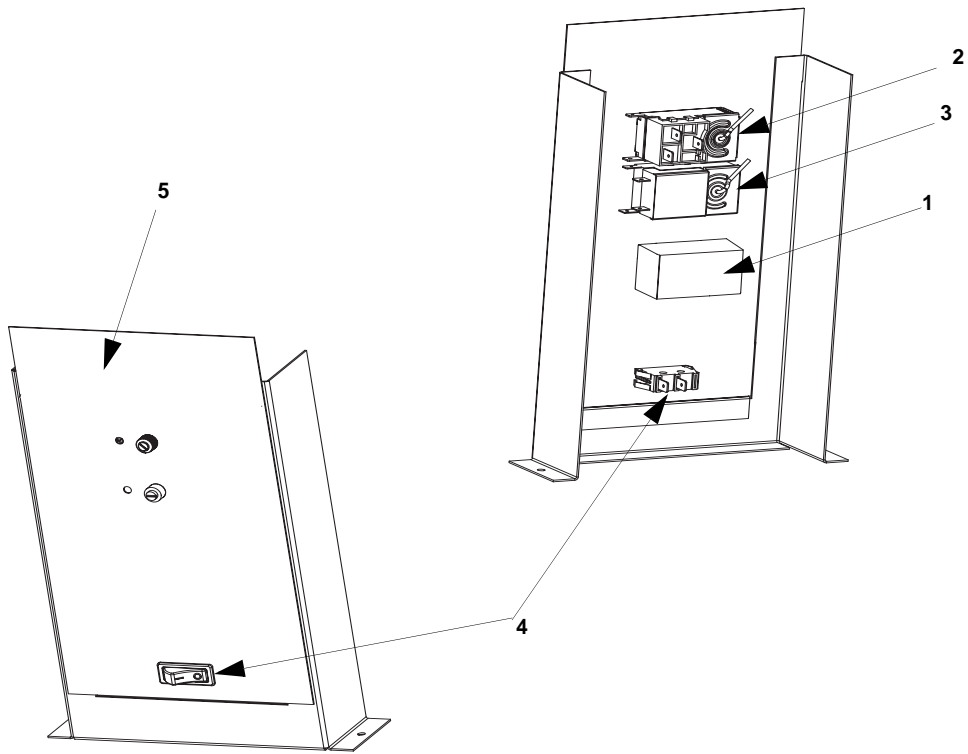
ECS065W

ECM065A

ECM065W



EC65 CONTROL BOX



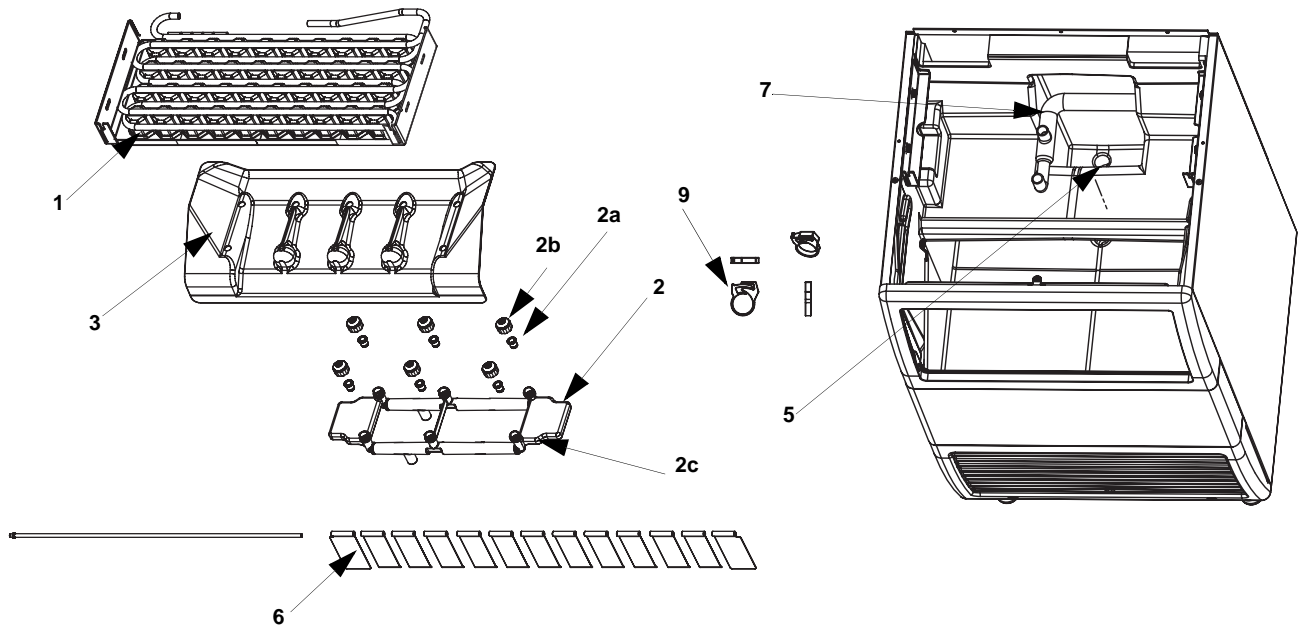
DESCRIPTION

| | DESCRIPTION | PART NO. |
|---|-------------------------|-----------------|
| 1 | SCR Timer | 20-0978-9 |
| 2 | Evaporator Thermostat | |
| | a. Mini/Standard | 20-0927-9 |
| | b. Large | 20-0883-3 |
| 3 | Bin Thermostat | 20-0914-9 |
| 4 | Toggle Switch | 20-0670-9 |
| 5 | Control Box Cover | 607199-9 |

Miscellaneous – Brackets, Screws, etc.

| | | |
|---|--------------------|-----------|
| 6 | Bolt | 50-0561-9 |
| 7 | Nut | 50-0451-9 |
| 8 | Washer | 50-0494-9 |
| 9 | Ground Screw | 52-0232-3 |

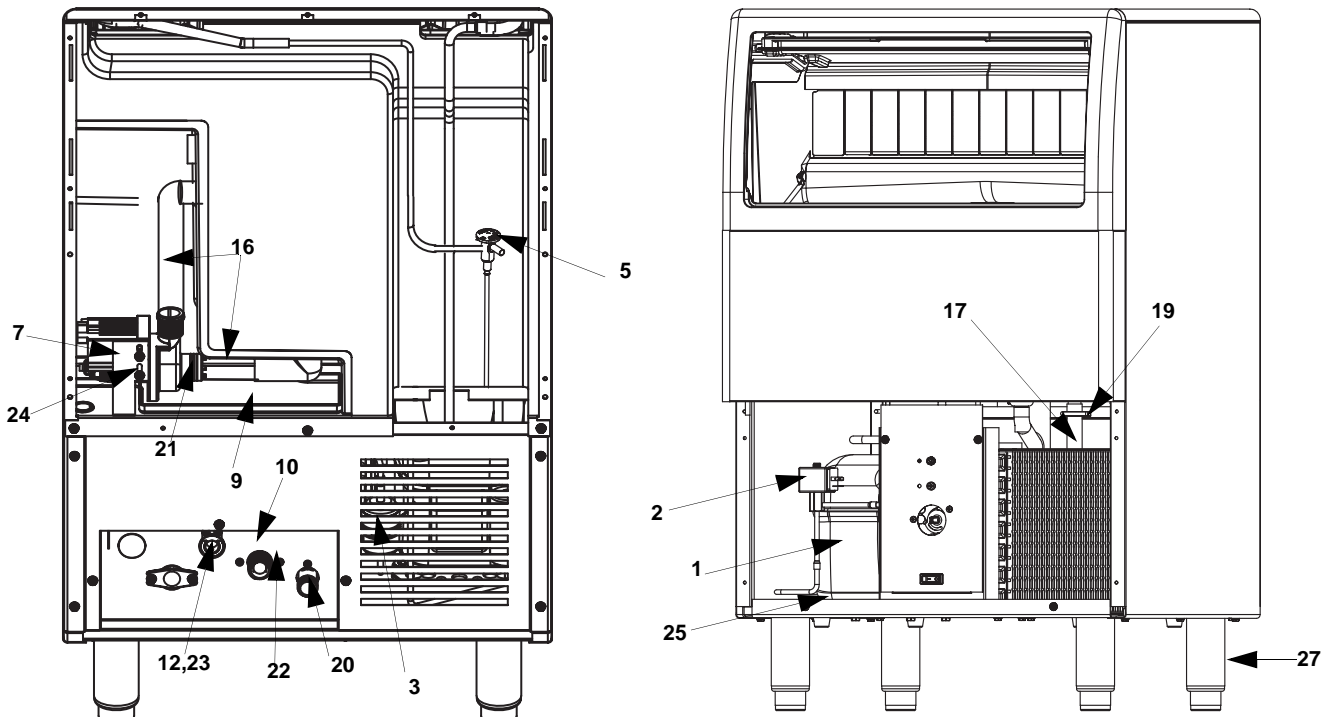
EC65 EVAPORATOR ASSEMBLY



DESCRIPTION

| | DESCRIPTION | PART NO. |
|---|------------------------------------|-----------|
| 1 | Evaporator Assembly | |
| a. | Large | 30-0645-9 |
| b. | Standard | 30-0644-9 |
| c. | Mini | 60-6700-9 |
| 2 | Spray Bar Assembly | 76-0349-3 |
| a. | Insert (each) | 40-0877-9 |
| b. | Cap (each) | 40-0876-9 |
| c. | O-ring | 50-0463-9 |
| 3 | Ice Ramp | 40-1357-9 |
| 4 | Evaporator Housing Assembly | 40-1396-9 |
| 5 | Standpipe Assembly | |
| a. | Standpipe | 40-1519-9 |
| b. | Plug | 40-1036-9 |
| 6 | Curtain Assembly | |
| a. | Paddle (each uses 16 per machine) | 40-0882-9 |
| b. | Rod | 30-0621-9 |
| Miscellaneous – Brackets, Screws, etc. | | |
| 7 | Tubing (Water Pump Out) | 000000959 |
| 8 | Drain Screen | 40-1493-9 |
| 9 | Spray Bar Clamp | 50-0508-9 |
| 10 | Water Inlet Diverter | 60-7248-1 |

EC65 REFRIGERATION COMPARTMENT – COMMON PARTS



DESCRIPTION

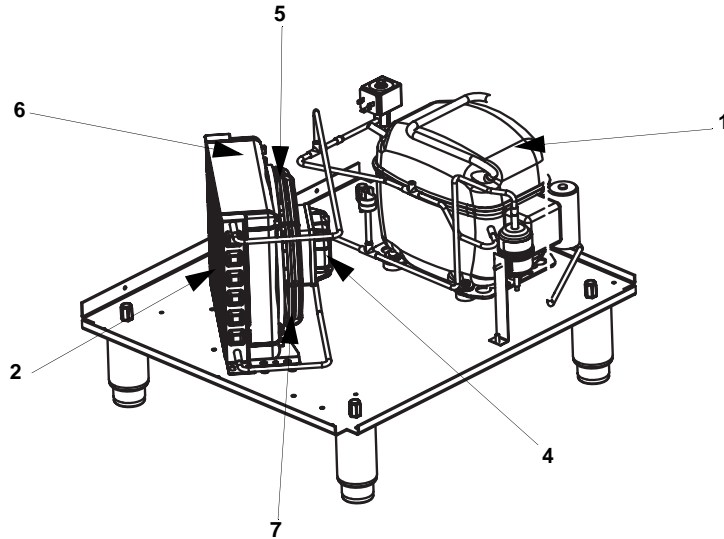
| | | PART NO. |
|----|---|-----------------|
| 1 | Compressor | |
| | a. Danfoss 230/50-60/1 Ph. | 82-5320-9 |
| | Start Relay | 20-0487-3 |
| | Start Capacitor | 20-0486-3 |
| 2 | Hot Gas Valve | |
| | a. Hot Gas Valve | 76-0346-3 |
| | b. Hot Gas Valve Coil Only | 000002049 |
| 3 | Line Drier | 82-5215-9 |
| 4 | Bin Thermostat Tube | 30-0622-9 |
| 5 | Expansion Valve | 76-0347-3 |
| | a. Clamp | 56-5052-9 |
| 6 | Insulation | |
| | a. TXV Boot | 40-0040-3 |
| | b. TXV Bulb | 40-0720-3 |
| | c. Copper Strap | 30-0083-3 |
| | d. Drive Clamp | 56-5052-9 |
| 7 | Water Pump | |
| | a. 220V/50 Hz | 040000040 |
| | b. 220V/60 Hz | 040000041 |
| | c. Bracket | 000000794 |
| | d. Water Pump Housing Assembly | 40-1347-3 |
| 8 | Evaporator Water Inlet Fitting | 40-1116-9 |
| 9 | Condensate Tray | 40-1348-9 |
| 10 | Water Inlet Valve | |
| | 230V/50-60 Hz | 000000888 |
| | Mylar Shield | 000000827 |
| 11 | Power Cord 230/50/1 (not shown) | 20-0674-9 |
| 12 | Terminal Block | 20-0668-9 |
| 13 | Wiring Harness, Toggle Switch | 20-0977-3 |
| 14 | Wiring Harness, Main | 000001181 |
| 15 | Restrictor | 20-0823-9 |

EC65 REFRIGERATION COMPARTMENT – COMMON PARTS CONTINUED

Miscellaneous – Brackets, Screws, etc.

| | | |
|----|--|-----------|
| 16 | Vinyl Tubing | |
| | a. Pump to Spray Bar | 000000959 |
| | b. Sump to Pump | 000000960 |
| 17 | Bin Drain Tube | 000000193 |
| 18 | Water Supply Hose | 44-2140-3 |
| 19 | Drain Line Clamp | 50-0510-9 |
| 20 | Drain Fitting Barbed | 40-1128-9 |
| 21 | Water Pump Inlet/Outlet Clamp | 56-5066-9 |
| 22 | Screw 7 x 7 mm (mounts water inlet valve) | 50-0442-9 |
| 23 | Screw 4 x 13 mm (mounts terminal block) | 50-0485-9 |
| 24 | Screw 5 x 13 mm (mounts water pump) | 50-0502-9 |
| 25 | Compressor Mounting | |
| | a. Compressor Mounting Retainer | 56-4826-9 |
| | b. Compressor Clevis Pin 1/4" x 1" | 37-1210-9 |
| | c. Compressor Hairpin Clip | 56-4828-9 |
| | d. Compressor Sleeve | 50-0090-9 |
| | e. Compressor Rubber Gromet | 50-0089-9 |
| | f. Compressor Washer | 50-0097-9 |
| 26 | Tubing (.375 ID water inlet valve to evaporator) | 40-0902-9 |
| 27 | Leg | 50-0525-9 |

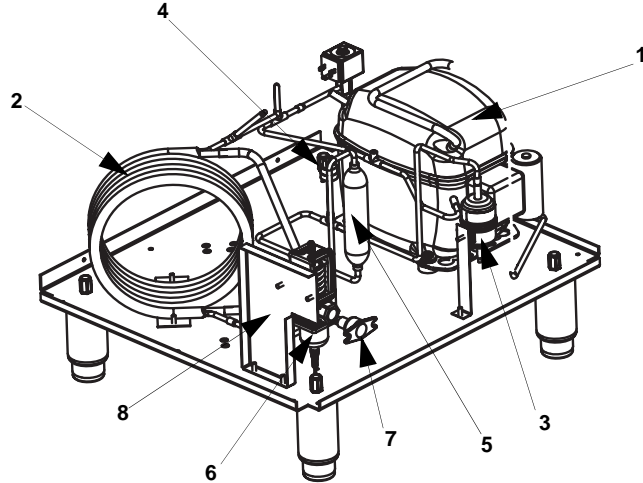
EC65 REFRIGERATION COMPARTMENT – AIR-COOLED



DESCRIPTION

| | DESCRIPTION | PART NO. |
|----|---|-------------|
| 1 | Compressor (Refer to COMMON PARTS Page) | Page EC65-4 |
| 2 | Air Condenser | 82-5285-3 |
| 3 | Baffle - Air Condenser | |
| a. | Rear Baffle | 30-0623-9 |
| b. | Front Baffle | 30-0626-9 |
| c. | Left Side Baffle | 30-0666-9 |
| 4 | Fan Motor | |
| a. | 230V-50/60 Hz | 20-0021-9 |
| 5 | Fan Blade | 30-0565-9 |
| | Miscellaneous – Brackets, Screws, etc. | |
| 6 | Fan Shroud | 606619-9 |
| 7 | Fan Motor Mounting Bracket | 606620-9 |
| 8 | Screw Hex 5 x 31 mm (bracket to shroud) | 50-0449-9 |
| 9 | Screw Hex (motor to bracket) | 50-0551-3 |

EC65 REFRIGERATION COMPARTMENT – WATER-COOLED

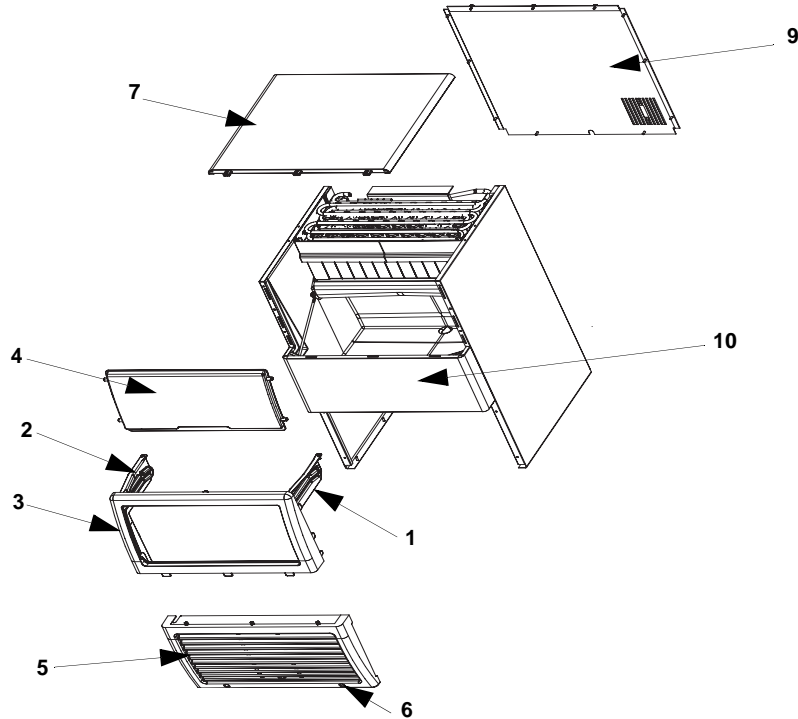


DESCRIPTION

PART NO.

| | | |
|---|---|-------------|
| 1 | Compressor (Refer to COMMON PARTS Page) | Page EC65-4 |
| 2 | Water Condenser | 82-5314-9 |
| 3 | Liquid Line Drier | 82-5215-9 |
| 4 | HPCO | 20-0124-3 |
| 5 | Receiver | 82-5251-9 |
| 6 | Water Regulating Valve | 83-7210-3 |
| | a. Coupling 3/8 F x 3/8 NPT | 83-3202-3 |
| Miscellaneous – Brackets, Screws, etc. | | |
| 7 | Adapter 1/2 NPTF | 87-0610-3 |
| 8 | Drier Bracket | 605605-1 |
| 9 | Water Regulating Valve Bracket | 606897-9 |
| | a. Screw Hex 5 x 13 mm | 50-0449-9 |

EC65 PANELS



Door – Gray

| | | |
|----|--------------------|-----------|
| 1 | Right Hand Track | 40-1360-9 |
| 2 | Left Hand Track | 40-1361-9 |
| 3 | Frame | 40-1371-9 |
| 4 | Door Assembly | 40-1383-9 |
| 5 | Grill | 40-1367-9 |
| 6 | Screws (5 x 13 mm) | 50-0449-9 |
| 7 | Top Cover | 76-0350-3 |
| 8 | Top Support Frame | 606533-1 |
| 9 | Back Panel | 606512-9 |
| 10 | Front Panel | 76-0348-3 |
| 11 | Rear Utility Panel | 000001154 |

Door – Blue

| | | |
|----|--------------------|-----------|
| 1 | Right Hand Track | 40-1362-9 |
| 2 | Left Hand Track | 40-1363-9 |
| 3 | Frame | 40-1372-9 |
| 4 | Door Assembly | 40-1384-9 |
| 5 | Grill | 40-1368-9 |
| 6 | Screws (5 x 13 mm) | 50-0449-9 |
| 7 | Top Cover | 76-0350-3 |
| 8 | Top Support Frame | 606533-1 |
| 9 | Back Panel | 606512-9 |
| 10 | Front Panel | 76-0348-3 |
| 11 | Rear Utility Panel | 000001154 |

Door - Light Gray

| | | |
|----|--------------------|-----------|
| 1 | Right Hand Track | 40-1364-9 |
| 2 | Left Hand Track | 40-1365-9 |
| 3 | Frame | 40-1373-9 |
| 4 | Door Assembly | 40-1385-9 |
| 5 | Grill | 40-1369-9 |
| 6 | Screws (5 x 13 mm) | 50-0449-9 |
| 7 | Top Cover | 76-0350-3 |
| 8 | Top Support Frame | 606533-1 |
| 9 | Back Panel | 606512-9 |
| 10 | Front Panel | 76-0348-3 |
| 11 | Rear Utility Panel | 000001154 |