

Ice Machines UK Ltd

Unit 10, LDL Business Centre, Station Road West

Ash Vale, Surrey, GU12 5RT.

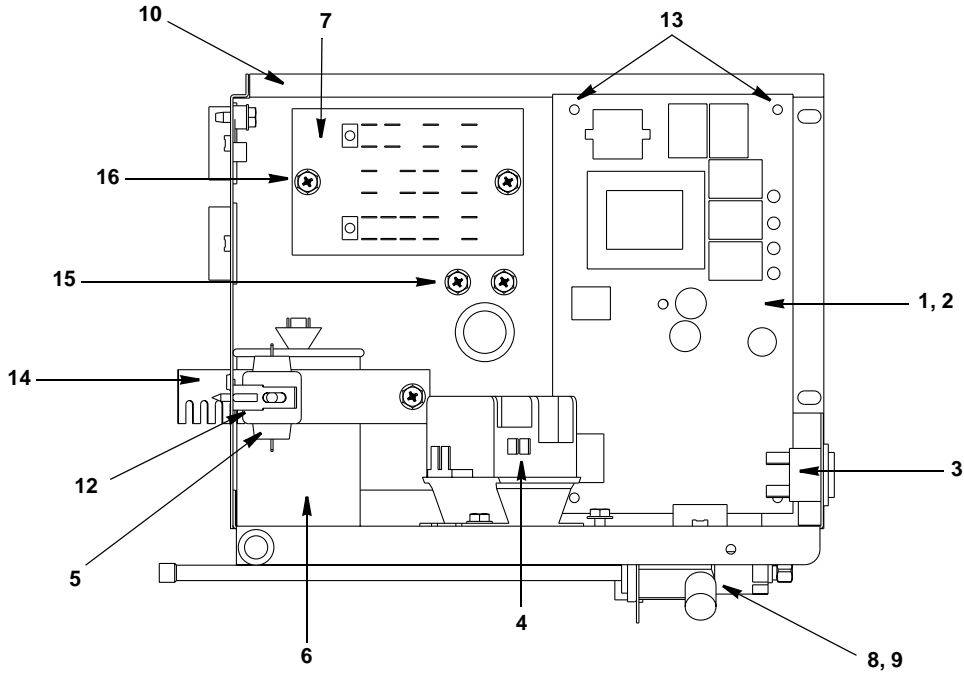
Tel: 01252 511611 Fax: 01252 511666

www.icemachines.co.uk e-mail: info@icemachines.co.uk



Ice Machine Parts List for ECV200 Model

ECV200 CONTROL BOX



pt1176

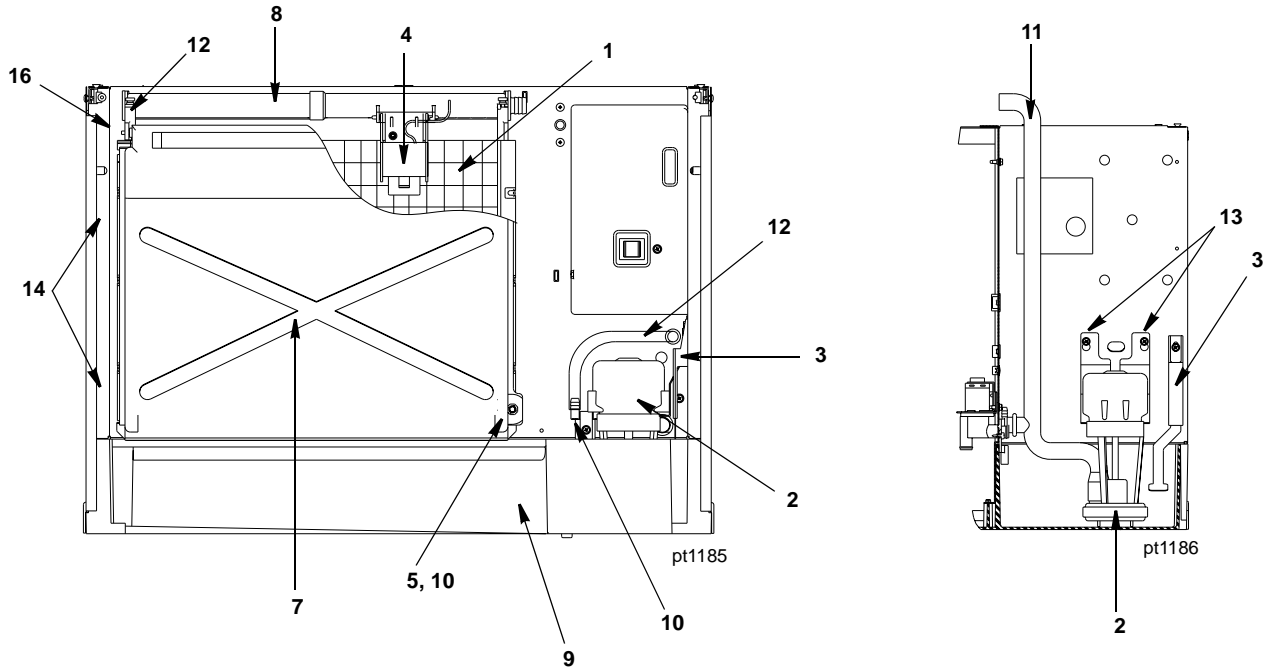
DESCRIPTION

	PART NO.
1 Control Board (for use with all voltages)	† 76-2782-3
2 7 Amp Fuse – Mounted on Control Board	25-1100-3
3 Toggle Switch Only	23-0134-3
a. Toggle Switch with Wiring Harness Attached	20-3217-3
4 Contactor	† 20-0154-3
5 P.T.C.R. Compressor Starter	85-0500-3
6 Compressor Run Capacitor	85-0400-3
7 Terminal Board with Wire Harness Attached - 230V/60 Hz/1 Ph.	20-3229-3
8 Refrigeration Service Valve Assembly	83-7326-3

Miscellaneous – Brackets, Screws, etc.

9 Locknut Used to Mount Refrigeration Service Valves	† 54-7503-9
10 Control Box	602559-3
11 Control Box Cover (Not shown)	† 76-2852-3
12 P.T.C.R. Compressor Starter Mounting Bracket	85-0502-3
13 Control Board Mounting Supports	43-0225-3
14 Capacitor Mounting Strap	602495-1
15 Screw, #10-24 x .50 Ground	† 52-0216-9
16 Screw, #10-24 x .50	† 52-0206-9

ECV200 EVAPORATOR COMPARTMENT



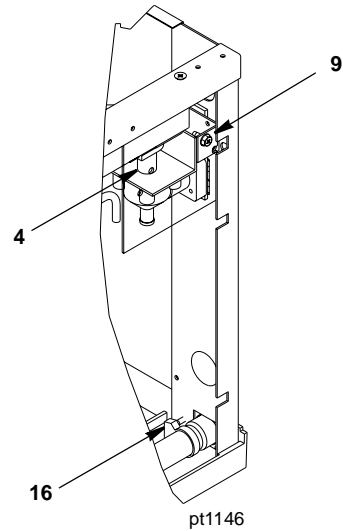
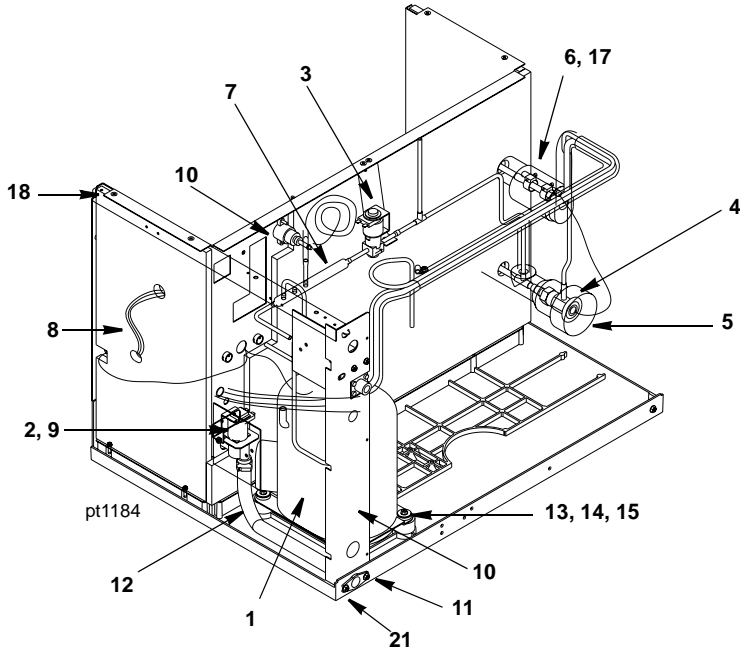
DESCRIPTION

	DESCRIPTION	PART NO.
1	Evaporator Assembly	
	a. Regular Cube	† 76-2512-9
	b. Dice Cube	† 76-2511-9
	c. Half Dice Cube	† 76-2510-9
2	Water Pump	† 76-2601-3
3	Float Valve	83-6904-9
	a. Strainer	83-6906-9
	b. Cap	83-6914-9
	c. Nut	56-5072-9
	d. Plunger	83-6908-9
4	Ice Thickness Control Probe	† 76-2781-3
5	Magnetic Bin Switch (Mounted to Evaporator).	† 23-0148-3
6	Water Flow Clamp – Use on Regular Cube Evap. Only (Not shown)	76-2054-3
7	Water Curtain	† 43-0464-3
8	Water Distribution Tube	† 76-2498-3
9	Water Trough	40-0020-3

Miscellaneous – Brackets, Screws, etc.

10	Water Curtain Magnet with Attachment Clip	† 76-2802-3
11	Tubing (Water Pump Out)	44-2109-3
12	Screw, #8-32 x .63 Nylon Water Distribution Tube Mounting.	† 50-0001-3
13	Screw, #10-24 x .50	† 52-0206-9
14	Screw, #10-24 x .750 Used to Mount Evaporator	† 52-0218-9
15	Evaporator Top Molding and Gasket Assembly	76-2621-3
16	Water Curtain Pin Assembly	76-2776-3
17	Float Valve Bracket	620682-4

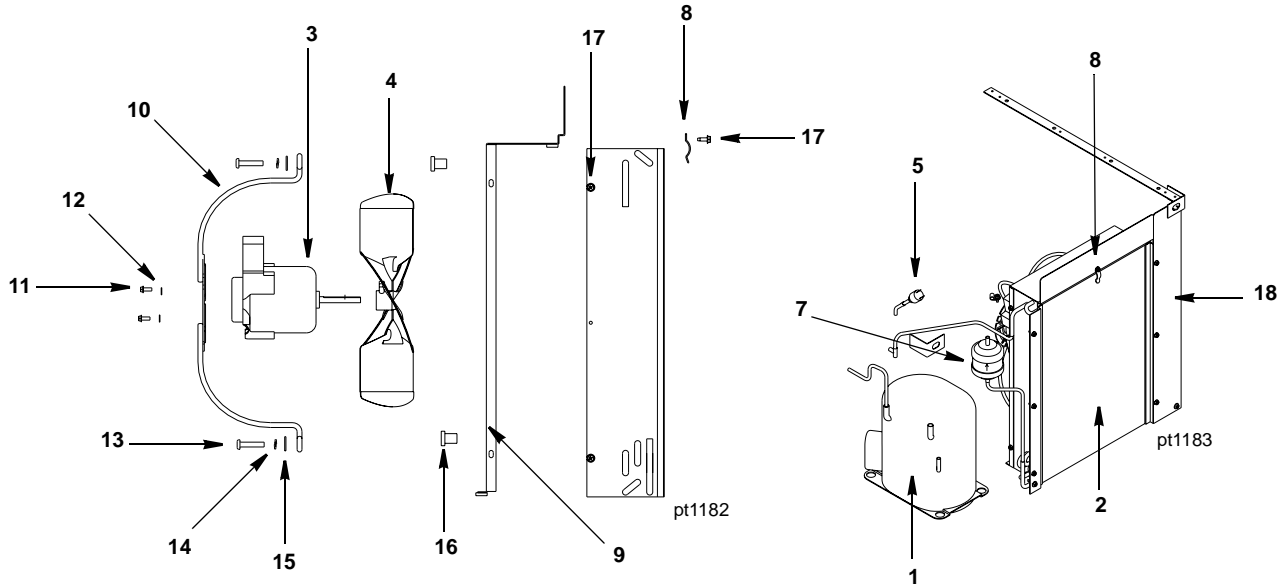
ECV200 REFRIGERATION COMPARTMENT – COMMON PARTS



DESCRIPTION

DESCRIPTION	PART NO.
1 Compressor	† 76-2811-3
2 Water Dump Valve	
a. Dump Valve Assembly without Electrical Coil.....	† 24-0520-3
b. Dump Valve Coil Only.....	24-0522-3
c. Dump Valve Rebuild Kit	24-0501-3
3 Hot Gas Valve	
a. Hot Gas Valve Including Electrical Coil (Danfoss)	† 76-3007-1
b. Hot Gas Valve Coil Only Danfoss.....	20-0177-3
c. Hot Gas Valve Coil Only Alco.....	† 24-0448-3
4 Expansion Valve	† 76-0019-3
5 Expansion Valve Body Insulation Boot	
a. Alco.....	40-0721-3
b. Danfoss	40-0036-3
6 Expansion Valve Bulb Insulation Boot	40-0720-3
7 Manifold Strainer (in front of hot gas valve)	83-1023-3
8 Water Pump Electrical Wire Lead.....	† 20-7810-3
8 High Pressure Cut-out (Auto Reset).....	23-5543-3
Miscellaneous – Brackets, Screws, etc.	
9 Dump Valve Mounting Bracket	602354-1
10 Right Corner Post Weldment	603999-1
11 Water Drain Female Wing Adapter.....	87-0608-3
12 Water Drain Vinyl Tubing, .625 ID	† 44-2038-3
13 Compressor Mounting Rubber Grommet	† 85-0306-9
14 Compressor Mounting Washer.....	† 55-7341-9
15 Compressor Mounting Screw	† 50-1230-9
16 Clamp, Water Drain	† 56-5070-9
17 Clamp, Expansion Valve Bulb	† 56-5052-9
18 Screw, #10-24 x .50	† 52-0209-9
19 Terminal Block (50 Hz Only).....	20-0614-3

EVC200 REFRIGERATION COMPARTMENT – AIR-COOLED



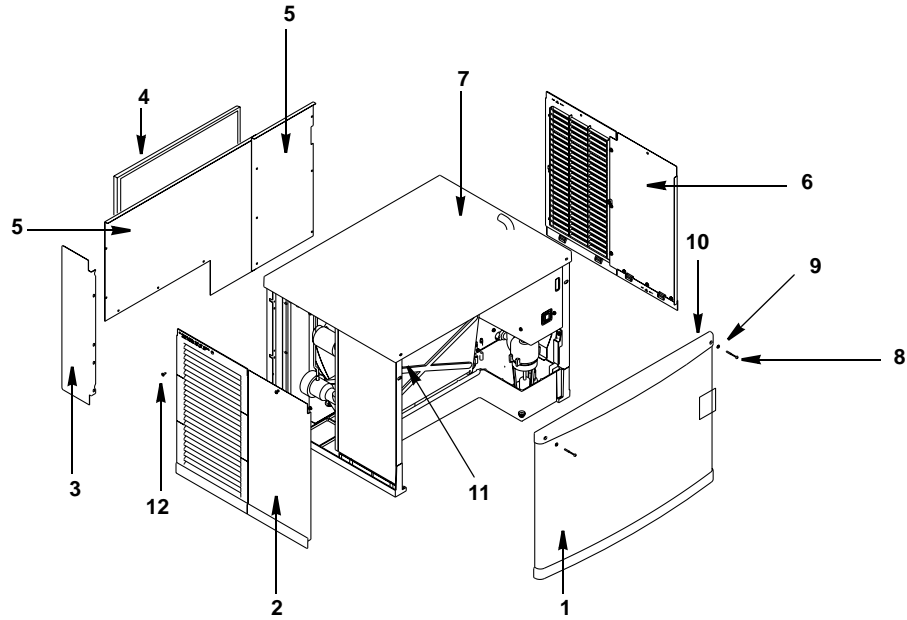
DESCRIPTION

		PART NO.
1	Compressor (Refer to COMMON PARTS Page)	Page 4
2	Air Condenser	88-5124-3
3	Fan Motor	† 24-1293-9
4	Fan Blade	24-1620-3
5	Fan Cycling Control	† 20-0126-3
6	Air Filter (Not shown)	30-0054-3
7	Drier	† 89-3025-3

Miscellaneous – Brackets, Screws, etc.

8	Air Filter Clip	† 56-5069-9
9	Fan Shroud	604086-1
10	Fan Motor Mounting Bracket	34-0662-3
11	Fan Motor Mounting Screw	† 50-2559-9
12	Fan Motor Mounting Flatwasher	† 55-0426-9
13	Fan Bracket Mounting Screw	† 50-3358-9
14	Fan Bracket Mounting Lockwasher	† 55-4510-9
15	Fan Bracket Mounting Flatwasher	† 55-7305-9
16	Fan Bracket Mounting Rubber Wellnut	† 54-2955-9
17	Screw, #10-24 x .50	† 52-0206-9
18	Left Corner Post Weldment	604001-1

ECV200 PANELS



pt1177

DESCRIPTION

DESCRIPTION	PART NO.
1 Front Panel Assembly	76-0065-3
2 Left Side Panel	76-0066-3
3 Air Baffle	602363-1
4 Air Filter	40-4018-3
5 Back Panel	604136-1
6 Right Side Panel	76-0067-3
7 Top Cover	43-0015-3

Miscellaneous – Brackets, Screws, etc.

8 Front Cover Screw	† 51-1901-9
9 Front Cover Washer	† 55-7338-9
10 Front Cover Screw Retainer	† 56-4827-9
11 Speed Nut Assembly to Mount Front Cover	† 54-7303-9
12 Screw, #10-24 x .50 Flat	† 52-0209-9
13 Extruded Tape (Not shown)	† 92-0250-9
14 Front Top Support (Not shown)	† 658041-9