

Ice Machines UK Ltd

Unit 10, LDL Business Centre, Station Road West

Ash Vale, Surrey, GU12 5RT.

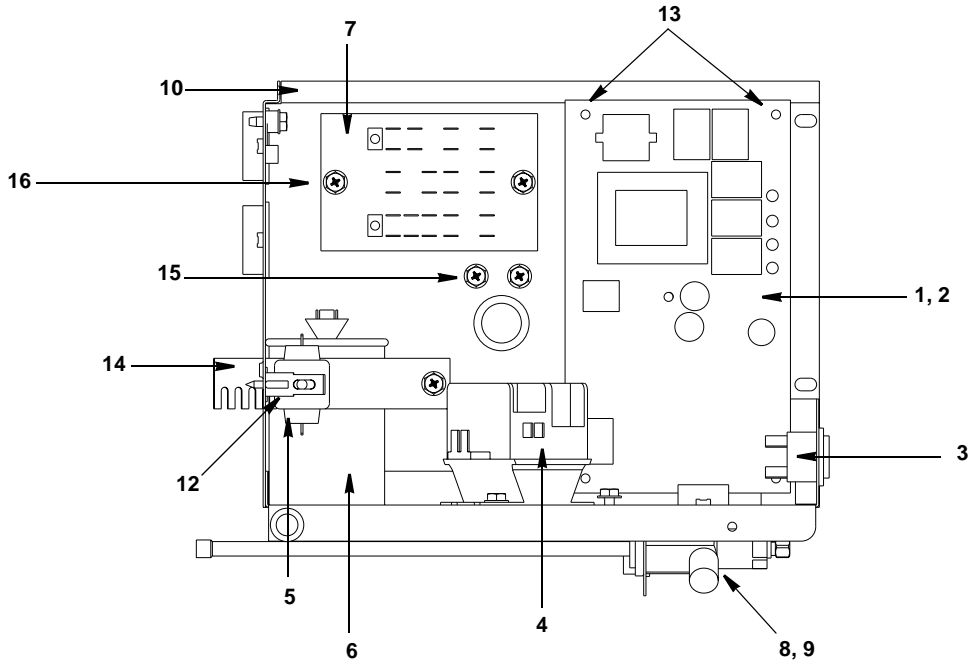
Tel: 01252 511611 Fax: 01252 511666

www.icemachines.co.uk e-mail: info@icemachines.co.uk



Ice Machine Parts List for ECV300 Models

ECV300 CONTROL BOX



pt1176

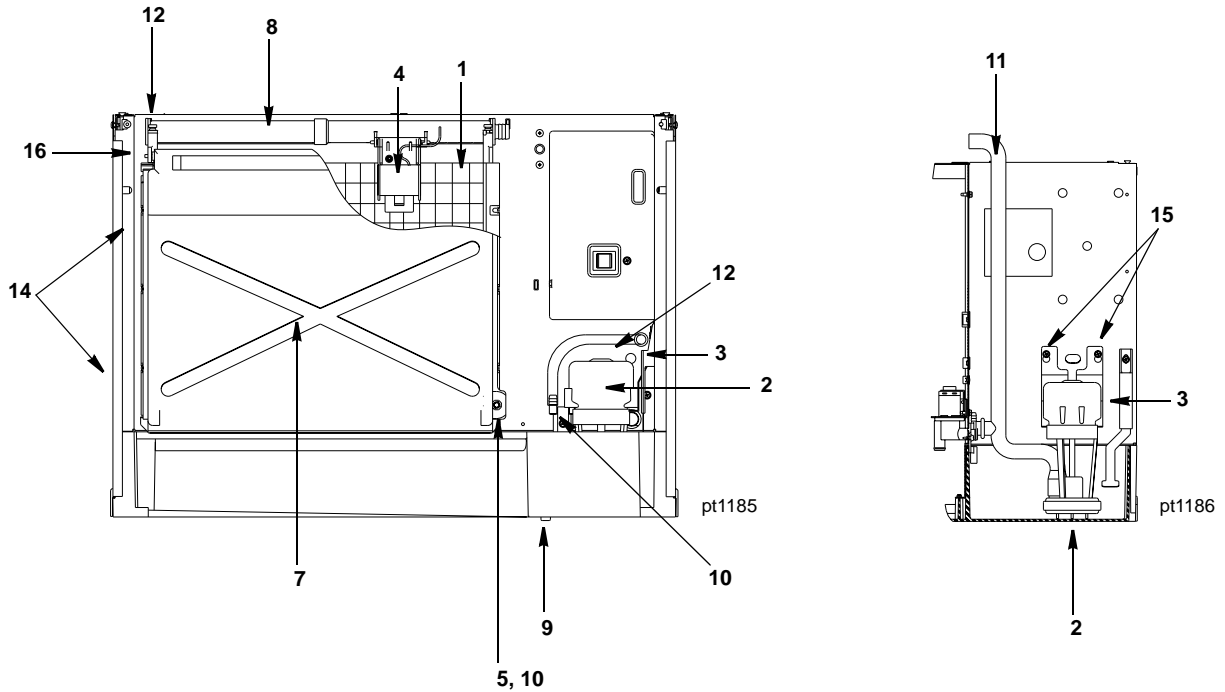
DESCRIPTION

DESCRIPTION	PART NO.
1 Control Board (for use with all voltages)	† 76-2782-3
2 7 Amp Fuse – Mounted on Control Board	25-1100-3
3 Toggle Switch Only	23-0134-3
a. Toggle Switch with Wiring Harness Attached	20-3217-3
4 Contactor (208-230V/60 Hz/1 Ph or 230V/50 Hz/1 Ph)	† 20-0154-3
5 P.T.C.R. Compressor Starter	85-0499-3
6 Compressor Run Capacitor	85-0366-3
7 Terminal Board with Wire Harness Attached	
a. 230V/60 Hz/1 Ph	20-3229-3
b. 50 Hz/1 Ph	20-3230-3
8 Refrigeration Service Valve Assembly	83-7326-3

Miscellaneous – Brackets, Screws, etc.

9 Locknut Used to Mount Refrigeration Service Valves	† 54-7503-9
10 Control Box	602559-3
11 Control Box Cover (Not shown)	† 76-2852-3
12 P.T.C.R. Compressor Starter Mounting Bracket	85-0501-3
13 Control Board Mounting Supports	43-0225-3
14 Capacitor Mounting Strap	602495-1
15 Screw, #10-24 x .50 Ground	† 52-0216-9
16 Screw, #10-24 x .50	† 52-0206-9

ECV300 EVAPORATOR COMPARTMENT



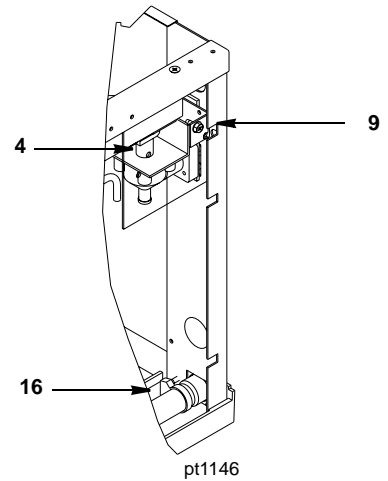
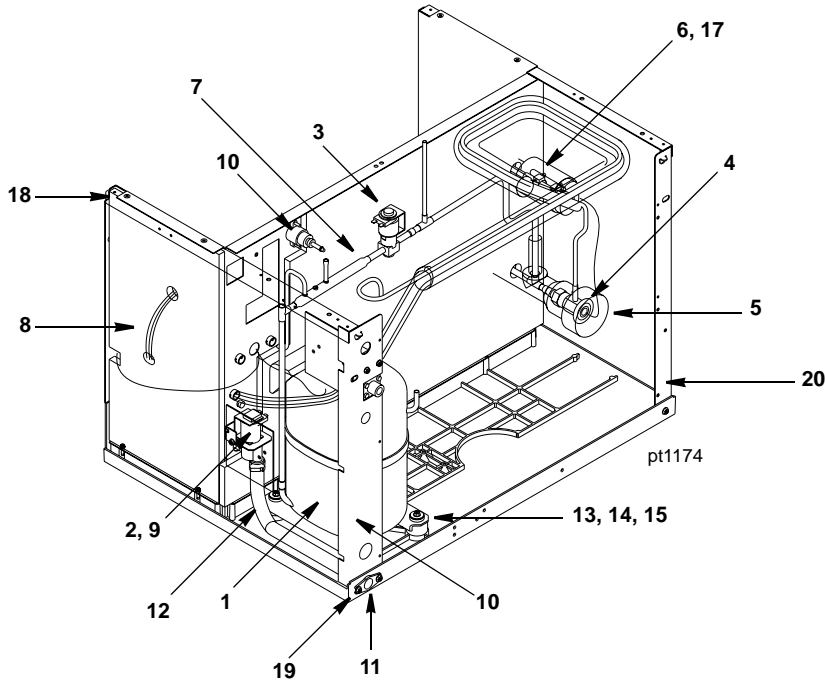
DESCRIPTION

	DESCRIPTION		PART NO.
1	Evaporator Assembly		
	a. Regular Cube	†	76-2512-9
	b. Dice Cube	†	76-2511-9
	c. Half Dice Cube	†	76-2510-9
2	Water Pump (208-230V/60 Hz or 230V/50 Hz)	†	76-2601-3
3	Float Valve		83-6904-9
	a. Strainer		83-6906-9
	b. Cap		83-6914-9
	c. Nut		56-5072-9
	d. Plunger		83-6908-9
4	Ice Thickness Control Probe	†	76-2781-3
5	Magnetic Bin Switch (Mounted to Evaporator).	†	23-0148-3
6	Water Flow Clamp – Use on Regular Cube Evap. Only (Not shown)		76-2054-3
7	Water Curtain	†	43-0464-3
8	Water Distribution Tube	†	76-2498-3
9	Water Trough		40-0020-3

Miscellaneous – Brackets, Screws, etc.

10	Water Curtain Magnet with Attachment Clip	†	76-2802-3
11	Tubing (Water Pump Out)		44-2109-3
12	Screw, #8-32 x .63 Nylon Water Distribution Tube Mounting.	†	50-0001-3
13	Screw, #10-24 x .50	†	52-0206-9
14	Screw, #10-24 x .750 Used to Mount Evaporator	†	52-0218-9
15	Evaporator Top Molding and Gasket Assembly		76-2621-3
16	Water Curtain Pin Assembly		76-2776-3
17	Float Valve Bracket		620682-4

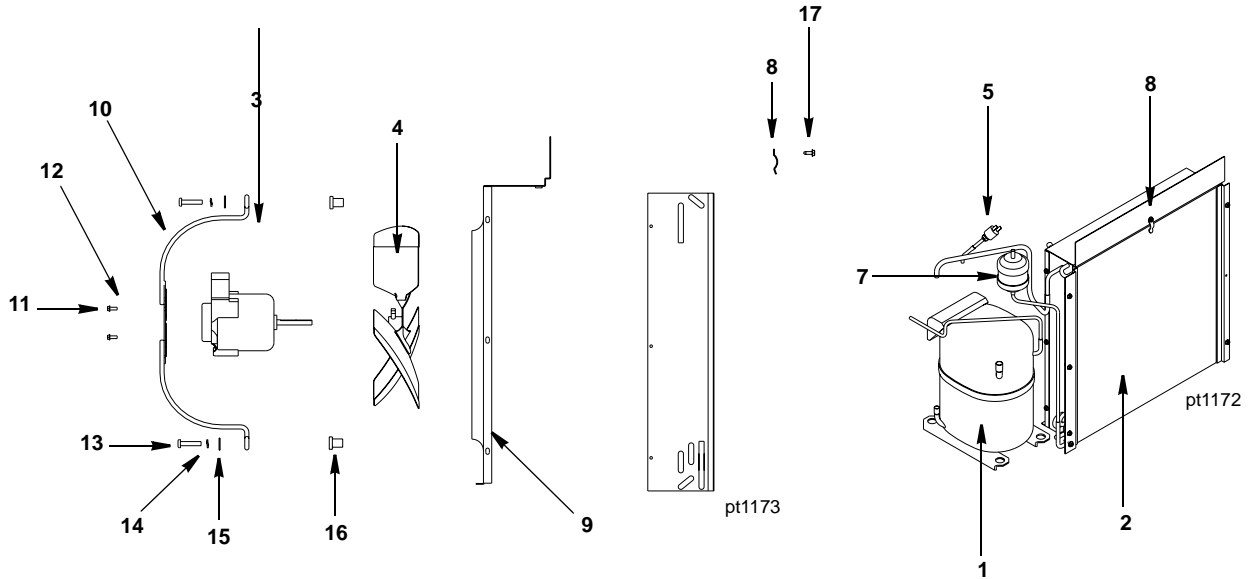
ECV300 REFRIGERATION COMPARTMENT – COMMON PARTS



DESCRIPTION

DESCRIPTION	PART NO.
1 Compressor- 230V/50 Hz/1 Ph.	76-2814-3
2 Water Dump Valve	
a. Dump Valve Assembly without Electrical Coil.	† 24-0520-3
b. Dump Valve Coil Only, 208/230V 50-60 Hz	24-0522-3
c. Dump Valve Rebuild Kit	24-0501-3
3 Hot Gas Valve	
a. Hot Gas Valve Including 208/230V 50/60 Hz Electrical Coil (Danfoss)	† 76-3010-1
b. Hot Gas Valve 208/230V 50-60 Hz Coil Only Danfoss.	20-0177-3
c. Hot Gas Valve 208/230V 50-60 Hz Coil Only Alco.	† 24-0448-3
4 Expansion Valve.	† 76-0020-3
5 Expansion Valve Body Insulation Boot	
a. Alco.	40-0721-3
b. Danfoss.	40-0036-3
6 Expansion Valve Bulb Insulation Boot	40-0720-3
7 Manifold Strainer - 3 Hole (in front of hot gas valve)	83-1015-3
8 Water Pump Electrical Wire Lead.	† 20-7810-3
8 High Pressure Cut-out (Auto Reset).	† 20-0124-3
Miscellaneous – Brackets, Screws, etc.	
9 Dump Valve	602354-1
10 Right Corner Post Weldment.	603991-1
11 Water Drain Female Wing Adapter.	87-0608-3
12 Water Drain Vinyl Tubing, .625 ID	44-2134-3
13 Compressor Mounting Rubber Grommet.	† 85-0306-9
14 Compressor Mounting Washer.	† 55-7341-9
15 Compressor Mounting Screw.	† 50-1230-9
16 Clamp, Water Drain.	† 56-5070-9
17 Clamp, Expansion Valve Bulb.	30-0050-3
18 Screw, #10-24 x .50.	† 52-0209-9
19 Screw, #10-24 x .75.	† 52-0218-9
20 Left Corner Post Weldment.	604001-1
21 Terminal Block (50 Hz only)	20-0614-3

ECV300 REFRIGERATION COMPARTMENT – AIR-COOLED



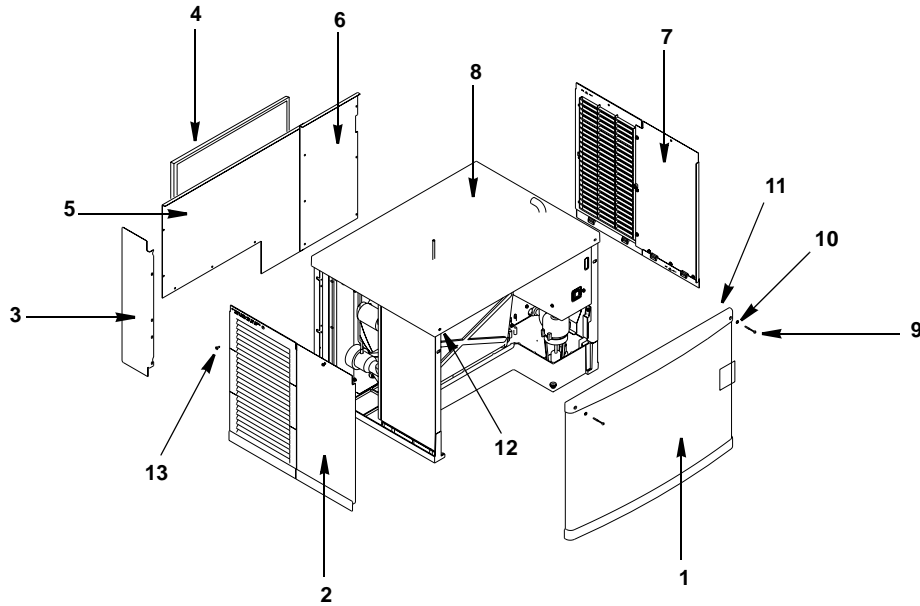
DESCRIPTION

	PART NO.
1 Compressor (Refer to COMMON PARTS Page)	Page 4
2 Air Condenser	88-5125-3
3 Fan Motor (208-230V/60 Hz or 230V/50 Hz)	† 24-1293-9
4 Fan Blade	24-1617-3
5 Fan Cycling Control	† 20-0126-3
6 Air Filter (Not shown)	40-4018-3
7 Drier	† 89-3025-3

Miscellaneous – Brackets, Screws, etc.

8 Air Filter Clip	† 56-5069-9
9 Fan Shroud	601880-1
10 Fan Motor Mounting Bracket	34-0662-3
11 Fan Motor Mounting Screw	† 50-2559-9
12 Fan Motor Mounting Flatwasher	† 55-0426-9
13 Fan Bracket Mounting Screw	† 50-3358-9
14 Fan Bracket Mounting Lockwasher	† 55-4510-9
15 Fan Bracket Mounting Flatwasher	† 55-7305-9
16 Fan Bracket Mounting Rubber Wellnut	† 54-2955-9
17 Screw, #10-24 x .75	† 52-0218-9
18 Screw, #10-24 x .50	† 52-0206-9
19 Wire Harness Refrigeration System	20-0069-3
20 Wire Harness High Pressure Cut-out	20-3278-3

ECV300 PANELS



pt1177

DESCRIPTION

	PART NO.
1 Front Panel Assembly	76-0065-3
2 Left Side Panel	76-0066-3
3 Air Baffle	602363-1
4 Air Filter	40-4018-3
5 Back Panel, Water or Remote	601998-1
6 Back Panel, Air	604205-1
7 Right Side Panel	76-0067-3
8 Top Cover	43-0015-3

Miscellaneous – Brackets, Screws, etc.

9 Front Cover Screw	† 51-1901-9
10 Front Cover Washer	† 55-7338-9
11 Front Cover Screw Retainer	56-4825-9
12 Speed Nut Assembly to Mount Front Cover	† 54-7303-9
13 Screw, #10-24 x .50 Flat	† 52-0209-9
14 Extruded Tape (Not shown)	† 92-0250-9
15 Front Top Support (Not Shown)	† 658041-9