



**Ice Machine Parts List for
Series Q130 Models**

QR0130A

QD0133W

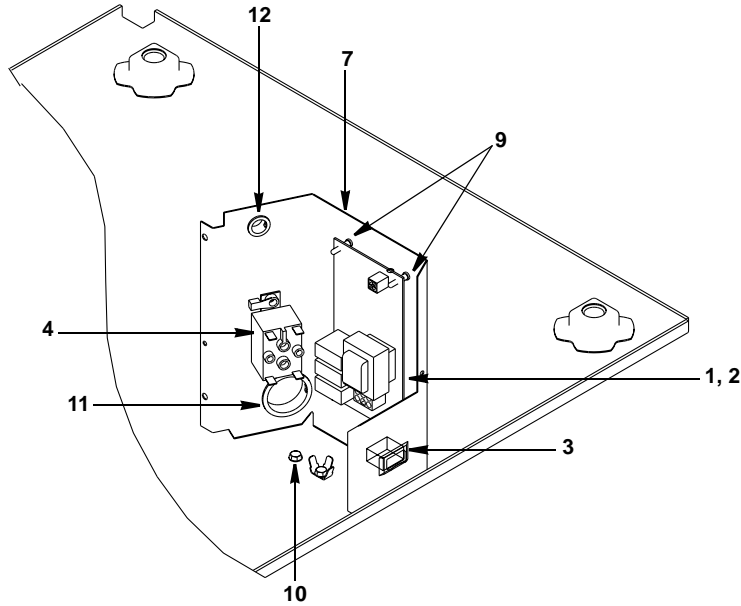
QR0131W

QY0134A

QD0132A

QY0135W

Q130 CONTROL BOX



DESCRIPTION

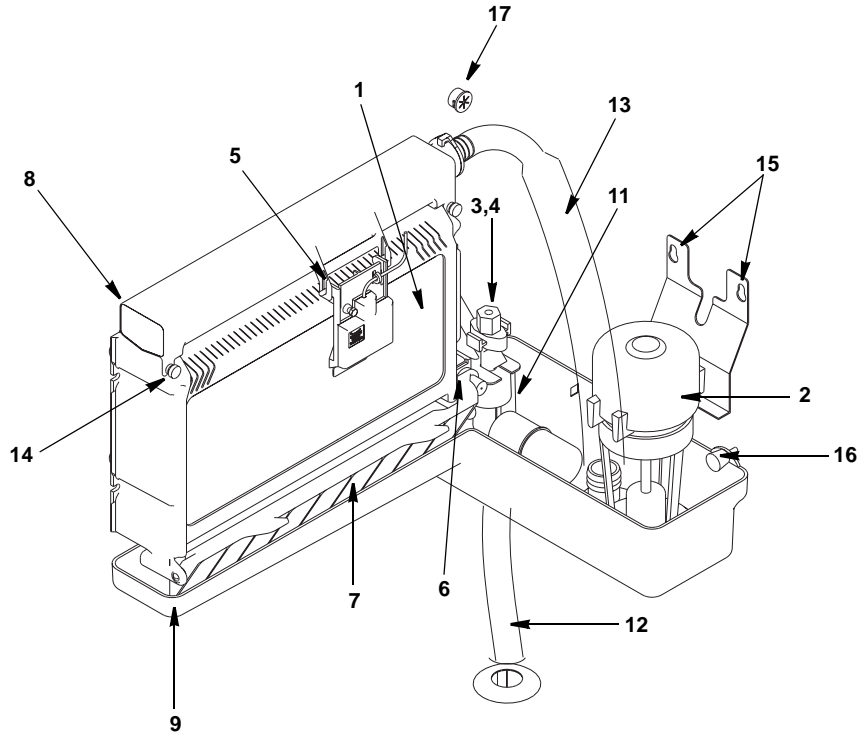
| | PART NO. |
|---|-----------------|
| 1 Control Board (for use with all voltages) | † 76-2907-3 |
| 2 10 Amp Fuse – Mounted on Control Board | 25-1149-3 |
| 3 Toggle Switch Only | 23-0151-3 |
| a. Wiring Harness Only | 20-3248-3 |
| 4 Contactor Kit | |
| a. 115V/60 Hz/1 Ph. | 24-1029-3 |
| b. 230V/50/60 Hz/1 Ph | 24-1028-3 |
| 5 Wiring Harness | |
| a. Air-Cooled (Not shown) | 20-0218-3 |
| b. Water-Cooled (Not shown) | 20-0219-3 |
| c. Ice Thickness Control Probe Wire Lead | 20-0701-3 |
| 6 Power Cord | |
| a. 125V/60 Hz (Not shown) | 20-0686-3 |
| b. 230V/60 Hz (Not shown) | 20-0687-3 |
| c. 230V/50 Hz (Not shown,except China). | 20-3302-3 |
| d. 230V/50 Hz (Not shown,only for China) | 20-0084-3 |

Miscellaneous – Brackets, Screws, etc.

| | |
|---|-------------|
| 7 Control Box | † 60-4693-1 |
| 8 Control Box Cover (Not shown) | 76-2908-3 |
| 9 Control Board Mounting Supports | 43-0225-3 |
| 10 Screw, #10-24 x .50 Ground. | 52-0223-9 |
| 11 Bushing,SB1500-21/2240 | † 25-0013-9 |
| 12 Bushing,SB625-8/2073 | † 25-0218-9 |

† Refer to Cross Reference Guide

Q130 EVAPORATOR COMPARTMENT



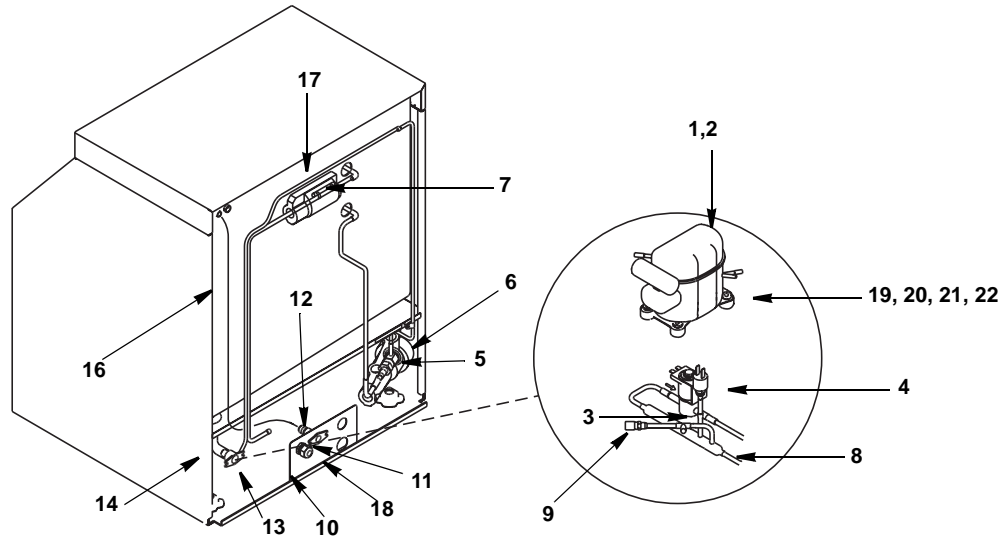
DESCRIPTION

PART NO.

| | | |
|---|--|-------------|
| 1 | Evaporator Assembly | |
| | a. Regular Cube | † 76-2945-3 |
| | b. Dice Cube | † 60-3543-1 |
| | c. Half Dice Cube | 76-2947-3 |
| 2 | Water Pump | |
| | a. 115V/60 Hz | † 76-2306-3 |
| | b. 208-230V/60 Hz or 230V/50 Hz | † 76-2601-3 |
| 3 | Float Valve (Complete Assembly) - Up to Serial Number 031100000 | † 76-0213-3 |
| 4 | Float Valve (Complete Assembly) - After Serial Number 031100000 | 83-6904-9 |
| | a. Float Valve Screen | † 83-6906-9 |
| | b. Float Valve Plunger | † 83-6908-9 |
| | c. Float Valve Compression Nut | † 56-5072-9 |
| 5 | Ice Thickness Control Probe | † 76-0160-3 |
| 6 | Magnetic Bin Switch (Mounted to Evaporator) | † 23-0147-3 |
| 7 | Ice Damper | † 76-0049-3 |
| | a. Ice Damper Magnet and Cap | 76-2909-3 |
| 8 | Water Distribution Tube | 43-0426-3 |
| 9 | Water Trough | 43-0412-3 |
| 10 | Water Inlet Tubing (Not shown) | 44-2029-1 |
| 11 | Siphon Cap | 43-0222-3 |
| Miscellaneous – Brackets, Screws, etc. | | |
| 12 | Drain Tube | † 40-0370-3 |
| 13 | Tubing (Water Pump Out) | 40-1205-3 |
| 14 | Screw, #8-32 x .63 Nylon Water Distribution Tube Mounting | † 53-0512-3 |
| 15 | Screw, #10-24 x .50 | † 52-0206-9 |
| 16 | Thumbscrew, #8-32 x .625 | 53-0512-3 |
| 17 | Bushing (Ice Thickness Probe Wire) | † 25-0016-9 |

† Refer to Cross Reference Guide

Q130 REFRIGERATION COMPARTMENT – COMMON PARTS



DESCRIPTION

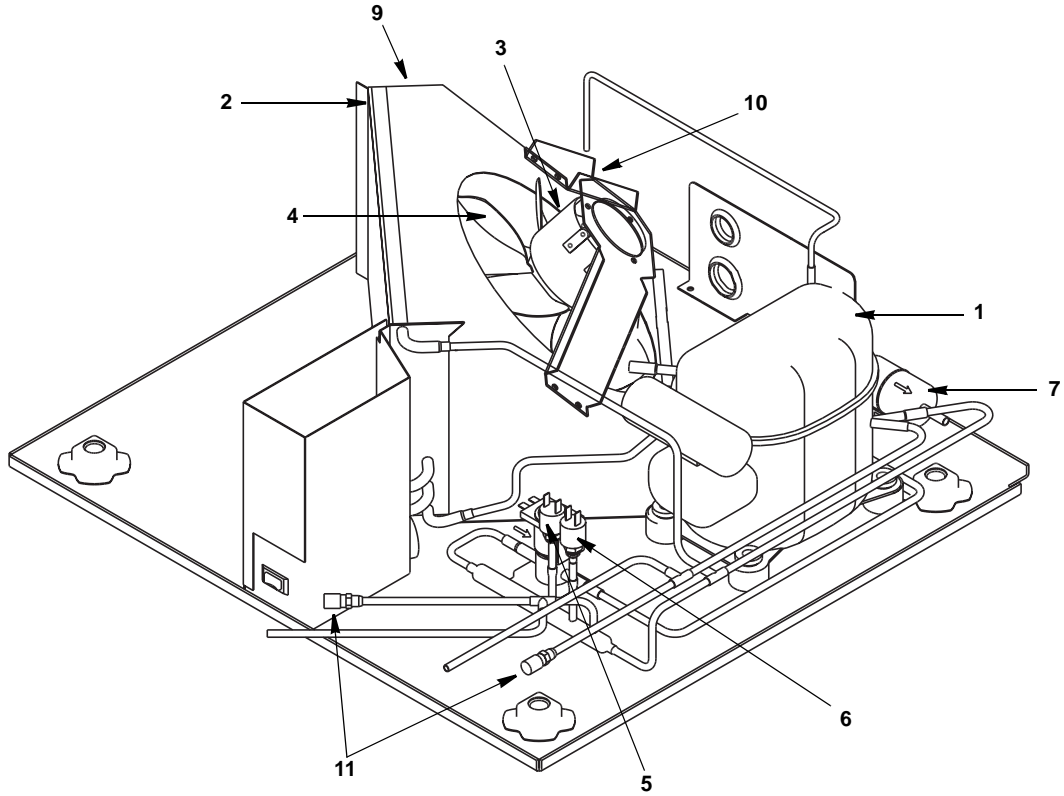
PART NO.

NOTE: Replace a Tecumseh compressor/start components with a Tecumseh compressor/start components and a Danfoss compressor/start components with a Danfoss compressor/start components.
DO NOT INTERCHANGE COMPRESSORS OR START COMPONENTS.

| | | |
|-----------|---|-------------|
| 1 | Tecumseh Compressor - Before Serial Number 021100000 | |
| a. | 115V/60 Hz/1 Ph | † 76-2910-3 |
| | Overload for Compressor | 85-0562-3 |
| | Starting Device (Tecumseh) | 85-0565-3 |
| | Start Capacitor (Tecumseh) | 85-0580-3 |
| b. | 208/230V 60 Hz/1 Ph (Tecumseh) | † 76-2911-3 |
| | Overload for Compressor | 85-0563-3 |
| | Starting Device (Tecumseh) | 85-0566-3 |
| | Start Capacitor (Tecumseh) | 85-0576-3 |
| c. | 224/240V 50 Hz/1 Ph (Tecumseh) | † 76-2912-3 |
| | Overload for Compressor | 85-0564-3 |
| | Starting Device (Tecumseh) | † 85-0567-3 |
| | Start Capacitor (Tecumseh) | 85-0581-3 |
| 2 | Danfoss Compressor | |
| a. | 115V/60 Hz/1 Ph (Danfoss) - Between Serial Number 021100000 and Serial Number 310047287 | 76-0132-3 |
| | Start Relay with Overload (Danfoss) | 20-0204-3 |
| | Start Capacitor (Danfoss) | 20-0203-3 |
| b. | 115V/60 Hz/1 Ph - After Serial Number 310047287 | 040000435 |
| | Start Relay with Overload | 000002899 |
| | Start Capacitor | 000002901 |
| c. | 208-240V/50-60 Hz/1 Ph (Danfoss) - Before Serial Number 310062654 | 76-0133-3 |
| | Start Relay with Overload (Danfoss) | 20-0487-3 |
| | Start Capacitor (Danfoss) | 20-0486-3 |
| d. | 208-240V/50-60 Hz/1 Ph (Danfoss) - After Serial Number 310062654 | 040000434 |
| | Start Relay (Danfoss) | 82-5108-3 |
| | Start Capacitor (Danfoss) | 20-0606-9 |
| 3 | Hot Gas Valve | |
| a. | Hot Gas Valve Including 115V 60 Hz Electrical Coil (Danfoss) | † 76-3000-1 |
| b. | Hot Gas Valve 115V Coil Only Danfoss | 000002048 |
| c. | Hot Gas Valve 115V Coil Only Alco | 24-0436-3 |
| d. | Hot Gas Valve Including 208/230V 50/60 Hz Electrical Coil (Danfoss) | † 76-3006-1 |
| e. | Hot Gas Valve 208/230V 50/60 Hz Coil Only Danfoss | 000002049 |
| f. | Hot Gas Valve 208/230V 50/60 Hz Coil Only Alco | † 24-0448-3 |
| 4 | High Pressure Cut-out | † 20-0124-3 |
| 5 | Expansion Valve | |
| a. | 115V/60Hz/1 Ph - After Serial Number 310047287 | 040000594 |
| b. | 115V/60Hz/1 Ph - Before Serial Number 310047287 | † 76-0050-3 |
| c. | 208-240V/50-60 Hz/1 Ph - After Serial Number 310062654 | 040000594 |
| d. | 208-240V/50-60 Hz/1 Ph - Before Serial Number 310062654 | † 76-0050-3 |
| 6 | Expansion Valve Body Insulation Boot | |
| a. | Alco | 40-0721-3 |
| b. | Danfoss | 40-0036-3 |
| 7 | Expansion Valve Bulb Insulation Boot | 40-0720-3 |
| 8 | Manifold Strainer (in front of hot gas valve) | 82-5106-3 |
| 9 | Access Valve | 83-7325-3 |
| | Miscellaneous – Brackets, Screws, etc. | |
| 10 | Bracket (Water/Electrical Inlet) | 60-2682-1 |
| 11 | Water Inlet Female Wing Adapter | † 87-0609-3 |
| 12 | Male Connector 1/4" OD x 1/8" NTPF | 13-6096-1 |
| 13 | Bin Drain Female Wing Adapter | 87-0613-3 |
| 14 | Bin Drain Tubing (Molded) | 44-2098-3 |
| 15 | Bin Drain Hose Clamp (Not shown) | † 56-5064-9 |
| 16 | Water Inlet Tubing .375 ID | 44-2029-1 |
| 17 | Clamp, Expansion Valve Bulb | † 56-5052-3 |
| 18 | Screw, #10-24 x .50 | † 52-0206-9 |
| 19 | Compressor Mounting Rubber Grommet | † 50-0420-3 |
| 20 | Compressor Mounting Washer | † 50-0097-9 |
| 21 | Compressor Hex Head Cap Screw | † 50-0561-9 |
| 22 | Compressor Mounting Sleeve 3/8" ID x 1.031 | † 50-0421-3 |

† Refer to Cross Reference Guide

Q130 REFRIGERATION COMPARTMENT – AIR-COOLED

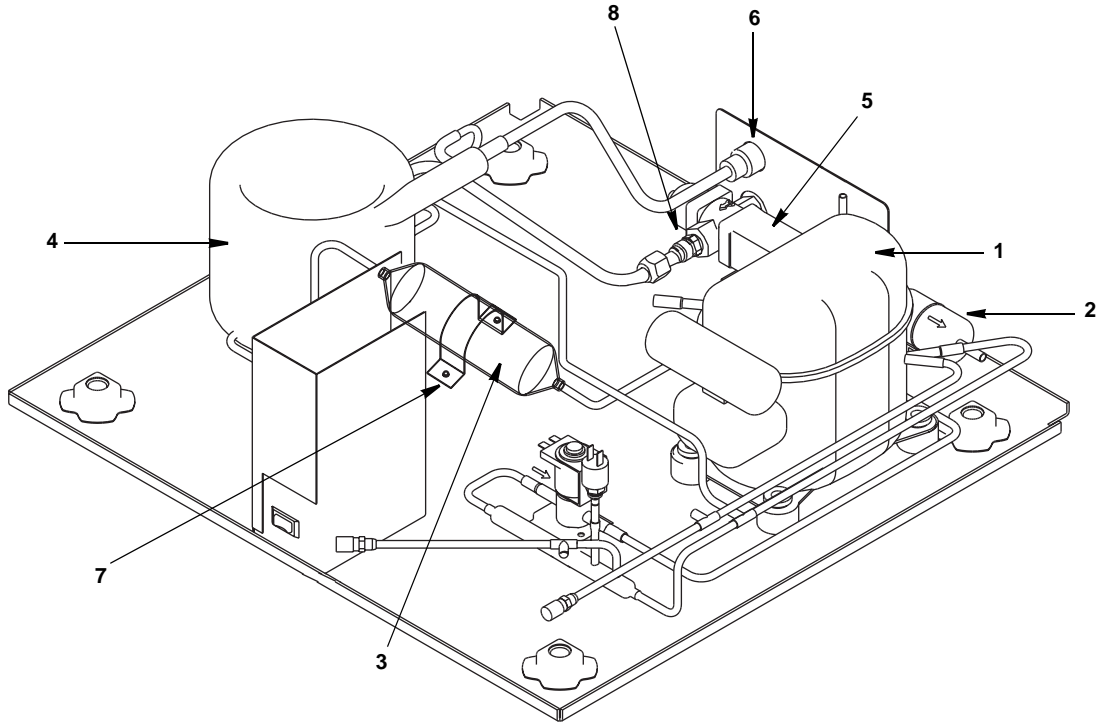


DESCRIPTION

| | PART NO. |
|---|-----------------|
| 1 Compressor (Refer to COMMON PARTS Page) | Page 4 |
| 2 Air Condenser | 88-5137-3 |
| 3 Fan Motor | |
| a. 115V | 20-0022-3 |
| b. 208-230V/60 Hz or 230V/50 Hz | 20-0021-9 |
| 4 Fan Blade | 30-0565-9 |
| 5 Fan Cycling Control | † 20-0126-3 |
| 6 High Pressure Cut-Out | 20-0124-3 |
| 7 Drier | † 89-3025-9 |
| 8 Air Filter (Not shown) | 76-2914-3 |
| Miscellaneous – Brackets, Screws, etc. | |
| 9 Fan Shroud | 60-2685-1 |
| 10 Fan Motor Mounting Bracket | 60-2743-1 |
| 11 Access Valve | 83-7325-3 |

† Refer to Cross Reference Guide

Q130 REFRIGERATION COMPARTMENT – WATER-COOLED



DESCRIPTION

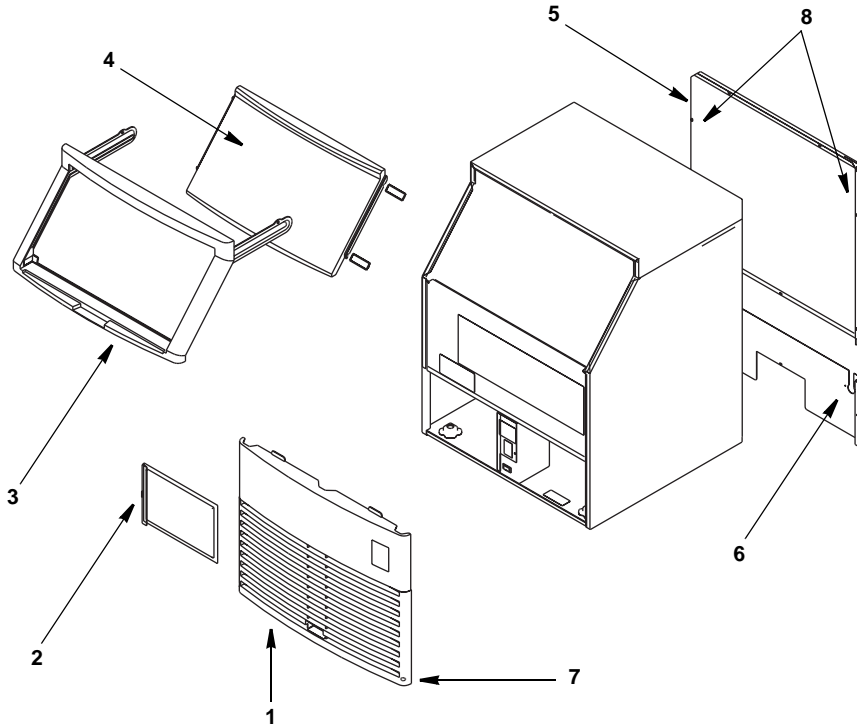
| DESCRIPTION | PART NO. |
|---|-------------|
| 1 Compressor (Refer to COMMON PARTS Page) | Page 4 |
| 2 Drier | † 89-3025-9 |
| 3 Receiver | 12-0003-1 |
| 4 Water-cooled Condenser | 88-6538-3 |
| 5 Water Regulating Valve | 83-7210-3 |
| 6 Water Drain Female Wing Adapter | 87-0610-3 |

Miscellaneous – Brackets, Screws, etc.

| | |
|------------------------|-----------|
| 7 Receiver Strap | 60-0189-1 |
| 8 Water Coupling | 83-3202-3 |

† Refer to Cross Reference Guide

Q130 PANELS



DESCRIPTION

| | DESCRIPTION | PART NO. |
|---|----------------------------|-----------------|
| 1 | Front Panel Assembly | 76-2915-3 |
| 2 | Air Filter | 76-2914-3 |
| 3 | Door Frame Assembly | 76-2916-3 |
| 4 | Bin Door | † 43-0456-3 |
| 5 | Back Panel, Upper | 60-2680-1 |
| 6 | Back Panel, Lower | 60-3350-1 |

Miscellaneous – Brackets, Screws, etc.

| | | |
|---|-----------------------------|-------------|
| 7 | Front Cover Screw | † 52-0223-9 |
| 8 | Screw, #10-24 x .50 | † 52-0206-9 |
| 9 | Ice Scoop (Not shown) | † 33-0260-3 |

INTENTIONALLY LEFT BLANK