



**Ice Machine Parts List for
Series Q270 Models**

QR0270A

QD0273W

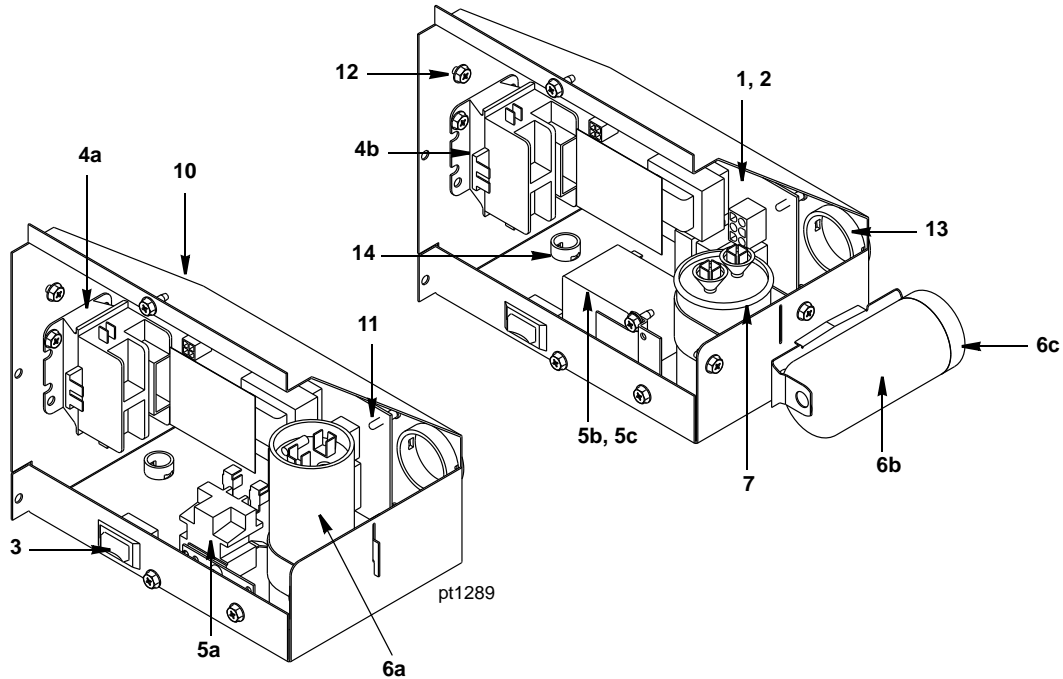
QR0271W

QY0274A

QD0272A

QY0275W

Q270 CONTROL BOX



DESCRIPTION

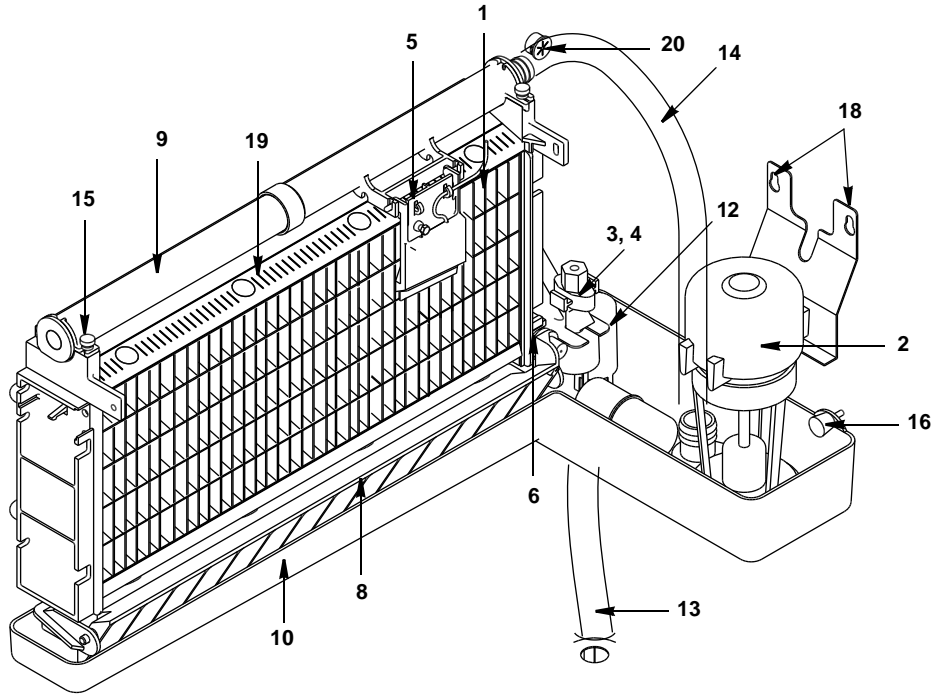
	PART NO.
1 Control Board (for use with all voltages)	† 76-2907-3
2 10 Amp Fuse – Mounted on Control Board	25-1149-3
3 Toggle Switch Only	23-0151-3
a. Wiring Harness Only	20-3248-3
4 Contactor	
a. 115V/60 Hz/1 Ph.	† 20-0656-9
b. 230V/50-60 Hz/1 Ph	† 20-0657-9
5 Start Relay Techumseh (for Danfoss see page 4)	
a. 115V/60 Hz/1 Ph.	85-0374-3
b. 230V/60 Hz/1 Ph	85-0455-3
c. 230V/50 Hz/1 Ph	85-0448-3
6 Start Capacitor	
a. 115V/60 Hz/1 Ph.	85-0577-3
b. 230V/50-60 Hz/1 Ph	85-0576-3
c. Capacitor End Cap	85-0579-3
7 Run Capacitor 230V/50-60 Hz/1 Ph	85-0400-3
8 Wiring Harness	
a. Air-Cooled 115V/60 Hz/1 Ph (Not shown)	20-3315-3
b. 230V/50-60 Hz/1 Ph (Not shown)	20-3316-3
c. Water-Cooled 115V/60 Hz/1 Ph (Not shown)	20-3313-3
d. 230V/50-60 Hz/1 Ph	20-3314-3
e. Ice Thickness Control Probe (Wire Lead and Connectors Only)	20-0700-3
Ice Thickness Control Probe (Wire Lead and Connectors Only)	76-0160-3
9 Power Cord	
a. 125V/60 Hz (Not shown)	20-3301-3
b. 230V/60 Hz (Not shown)	20-3303-3
c. 230V/50 Hz (Not shown)	20-3302-3

Miscellaneous – Brackets, Screws, etc.

10 Control Box.	603461-1
11 Control Board Mounting Supports	43-0225-3
12 Screw, #10-24 x .50 Ground.	† 52-0216-9
13 Bushing	† 25-0013-9
14 Bushing	† 25-0218-9

† Refer to Cross Reference Guide

Q270 EVAPORATOR COMPARTMENT



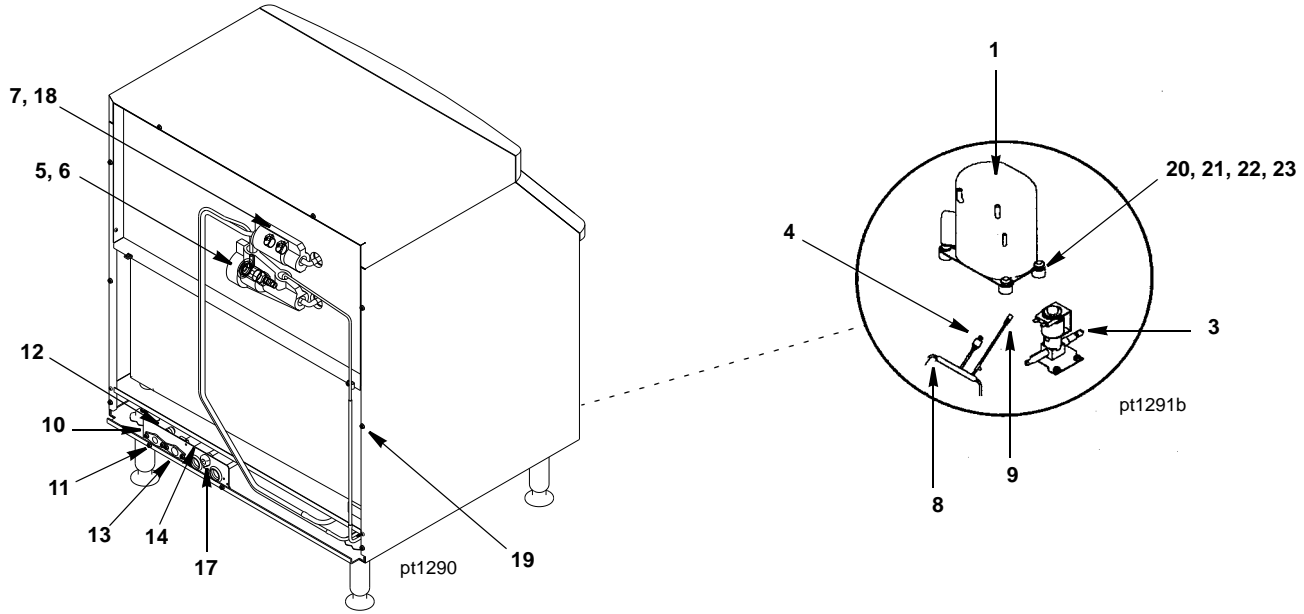
pt1258

DESCRIPTION

	DESCRIPTION		PART NO.
1	Evaporator Assembly		
	a. Regular Cube	†	76-2954-9
	b. Dice Cube	†	76-2955-9
	c. Half Dice Cube	†	76-2956-9
2	Water Pump		
	a. 115V/60 Hz	†	76-2306-3
	b. 208-230V/60 Hz or 230V/50 Hz	†	76-2601-3
3	Float Valve (Complete Assembly) - Up to Serial Number 031100000	†	76-0213-3
4	Float Valve (Complete Assembly) - After Serial Number 031100000		83-6904-9
	a. Float Valve Screen	†	83-6906-9
	b. Float Valve Plunger	†	83-6908-9
	c. Float Valve Compression Nut	†	56-5072-9
5	Ice Thickness Control Probe	†	76-0160-3
6	Magnetic Bin Switch (Mounted to Evaporator)	†	76-0161-3
7	Water Flow Clamp (Not shown, used on Regular Cube Only)		76-2054-3
8	Ice Damper	†	76-0048-3
	a. Ice Damper Magnet and Cap		76-2909-3
9	Water Distribution Tube	†	76-2498-3
10	Water Trough		43-0386-3
11	Water Inlet Tubing (Not shown)		44-20r29-1
12	Siphon Cap		43-0222-3
Miscellaneous – Brackets, Screws, etc.			
13	Drain Tube	†	44-0013-3
14	Tubing (Water Pump Out)		40-1205-3
15	Screw, #8-32 x .63 Nylon Water Distribution Tube Mounting	†	50-0001-3
16	Thumbscrew, #8-32 x .625		53-0510-3
17	Screw, #10-24 x .750 – Used to Mount Evaporator (Not shown)	†	52-0218-9
18	Screw, #10-24 x .50	†	52-0206-9
19	Evaporator Top Molding and Gasket Assembly		76-2621-3
20	Bushing (Ice Thickness Probe Wire)	†	25-0016-9
21	Water Pump Lead (Not Shown)		20-7806-3

† Refer to Cross Reference Guide

Q270 REFRIGERATION COMPARTMENT – COMMON PARTS



DESCRIPTION

PART NO.

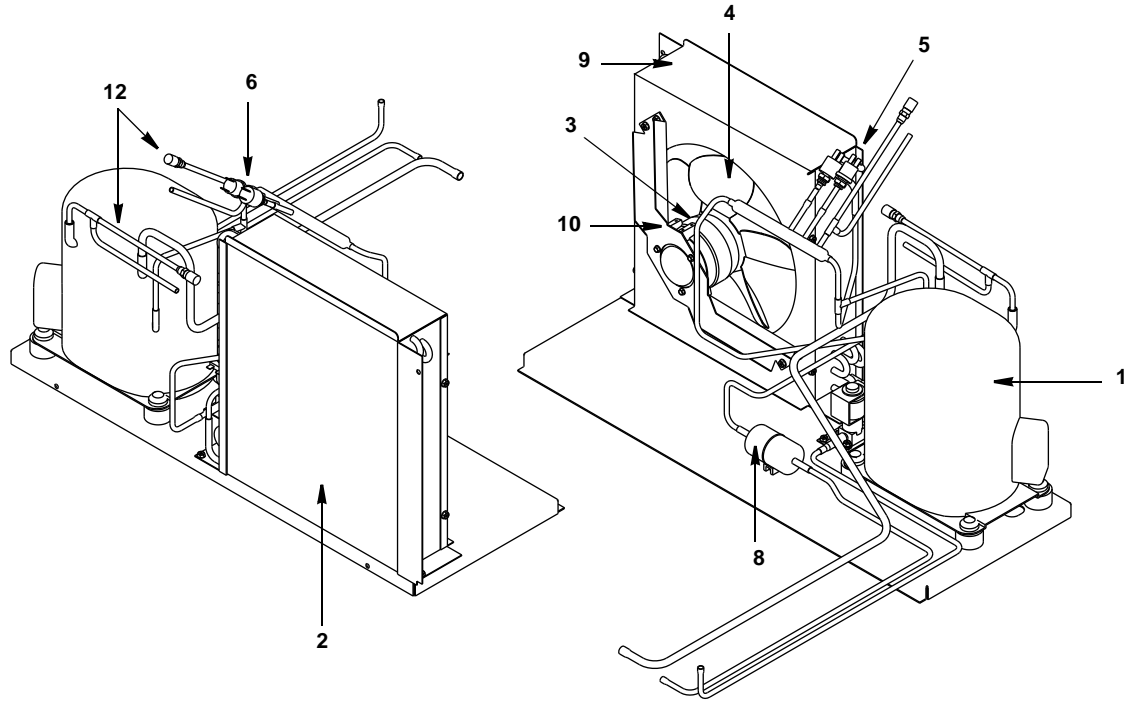
NOTE: Replace a Tecumseh compressor/start components with a Tecumseh compressor/start components and a Danfoss compressor/start components with a Danfoss compressor/start components.

DO NOT INTERCHANGE COMPRESSORS OR START COMPONENTS.

1	Tecumseh Compressor	
a.	115V/60 Hz/1 Ph Overload for Compressor	† 76-2936-3 85-0573-3
b.	208/230V 60 Hz/1 Ph Overload for Compressor	† 76-2937-3 85-0574-3
c.	224/240V 50 Hz/1 Ph Overload for Compressor	† 76-2938-3 85-0575-3
2	Danfoss Compressor	
a.	115V/60 Hz/1 Ph Starting Device (Danfoss) Start Capacitor (Danfoss)	76-0134-3 82-5103-3 82-5102-3
b.	208/230V 60 Hz/1 Ph Starting Device (Danfoss) Start Capacitor (Danfoss)	76-0135-3 20-0224-3 82-5109-3
c.	224/240V 50 Hz/1 Ph Starting Device (Danfoss) Start Capacitor (Danfoss)	76-0135-3 20-0224-3 82-5109-3
3	Hot Gas Valve	
a.	Danfoss	
	Hot Gas Valve Including 115V 60 Hz Electrical Coil	† 76-3001-1
	Hot Gas Valve 115V Coil Only	000002048
	Hot Gas Valve Including 208/230V 50/60 Hz Electrical Coil	† 76-3007-1
	Hot Gas Valve 208/230V 50/60 Hz Coil Only	000002049
b.	Alco	
	Hot Gas Valve 115V Coil Only Alco	24-0436-3
	Hot Gas Valve 208/230V 50/60 Hz Coil Only Alco	† 24-0448-3
4	High Pressure Cut-out	† 20-0124-3
5	Expansion Valve	† 76-0017-3
6	Expansion Valve Body Insulation Boot	
a.	Alco	40-0721-3
b.	Danfoss	40-0036-3
7	Expansion Valve Bulb Insulation Boot	40-0720-3
8	Manifold Strainer (in front of hot gas valve)	83-1016-3
9	Access Valve	83-7325-3
Miscellaneous – Brackets, Screws, etc.		
10	Bracket (Water/Electrical Inlet)	603460-1
11	Water Inlet Female Wing Adapter	† 87-0609-3
12	Male Connector 1/4" OD x 1/8" NTPF	13-6096-1
13	Bin Drain Female Wing Adapter	87-0608-3
14	Bin Drain Tubing (Molded)	44-2146-3
15	Bin Drain Hose Clamp (Not shown)	† 56-5064-9
16	Water Inlet Tubing .375 ID	44-2029-1
17	Strain Relief (Electrical Cord)	25-0228-3
18	Clamp, Expansion Valve Bulb	† 56-5052-9
19	Screw, #10-24 x .50	† 52-0206-9
20	Compressor Mounting Rubber Grommet	85-0306-9
21	Compressor Mounting Washer	† 55-7309-9
22	Compressor Hex Head Cap Screw	† 50-3770-9
23	Compressor Mounting Sleeve 3/8" ID x 1.031	† 85-0394-9

† Refer to Cross Reference Guide

Q270 REFRIGERATION COMPARTMENT – AIR-COOLED



pt1291

DESCRIPTION

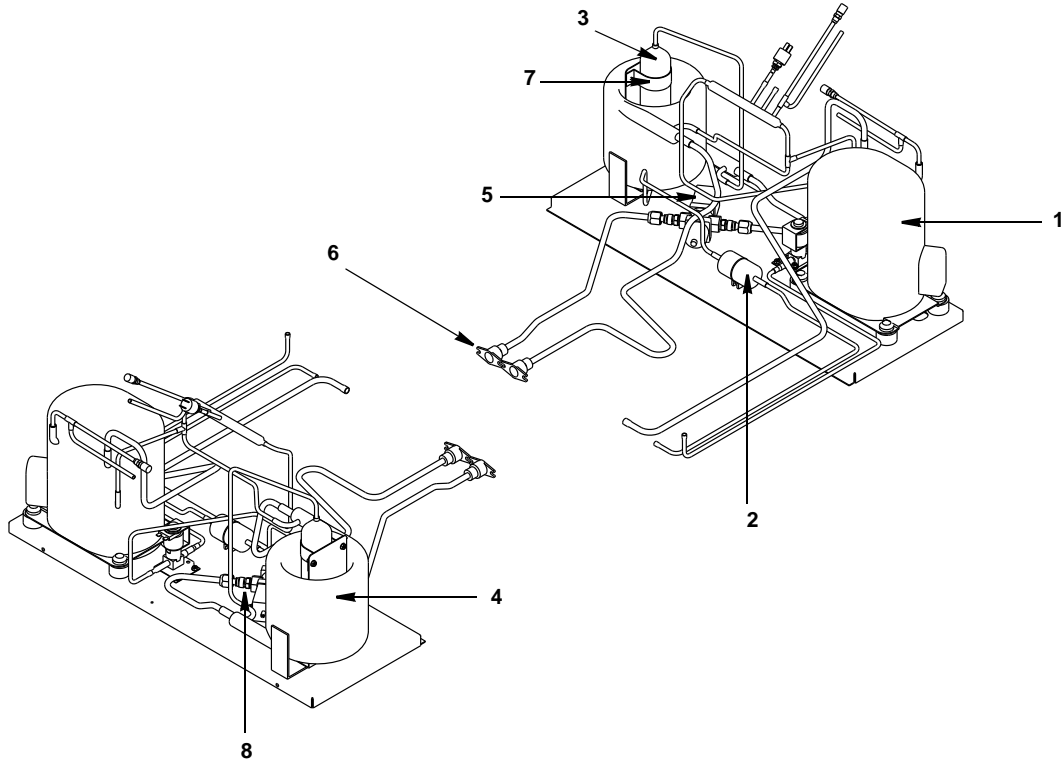
		PART NO.
1	Compressor (Refer to COMMON PARTS Page)	Page 4
2	Air Condenser	88-5138-3
3	Fan Motor	
	a. 115V	† 24-1281-3
	b. 208-230V/60 Hz or 230V/50 Hz	† 24-1282-3
4	Fan Blade	24-1622-3
5	Fan Cycling Control	† 20-0127-3
6	High Pressure Cut-out (Refer to COMMON PARTS Page)	Page 4
7	Air Filter (Not shown)	76-2952-3
8	Drier	† 89-3025-9

Miscellaneous – Brackets, Screws, etc.

9	Fan Shroud	603459-1
10	Fan Motor Mounting Bracket	602743-1
11	Speed Nut to Mount Fan Blade (Not shown)	† 54-7507-9
12	Access Valve	83-7325-3

† Refer to Cross Reference Guide

Q270 REFRIGERATION COMPARTMENT – WATER-COOLED



pt1292

DESCRIPTION

1	Compressor (Refer to COMMON PARTS Page)
2	Drier
3	Receiver
4	Water-cooled Condenser
5	Water Regulating Valve
6	Water Drain Female Wing Adapter

PART NO.

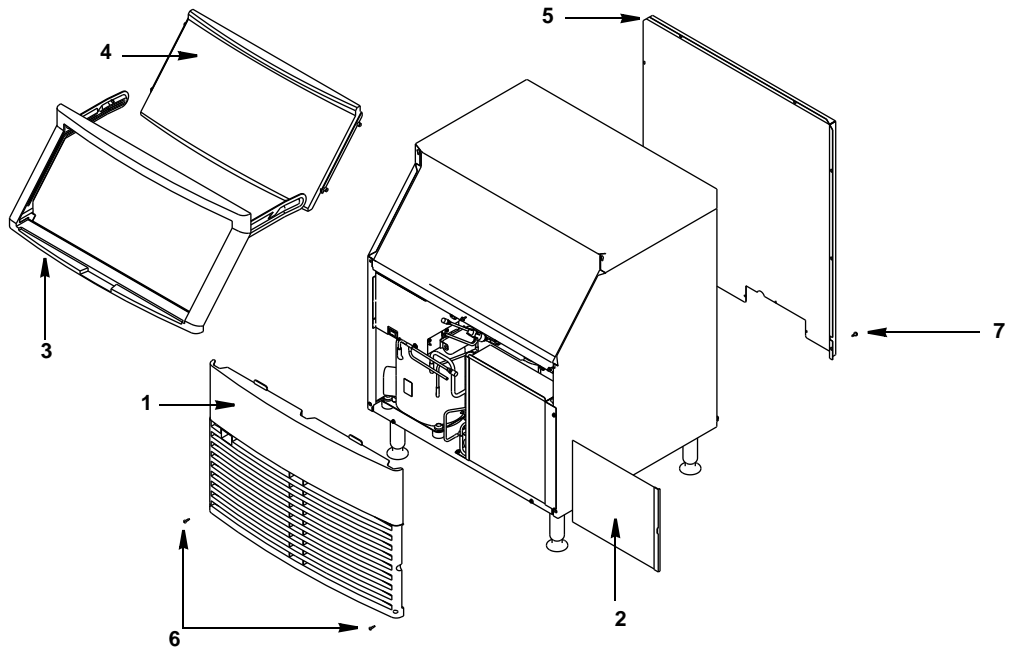
Page 4
† 89-3025-9
12-0003-1
† 88-6531-3
83-7210-3
87-0610-3

Miscellaneous – Brackets, Screws, etc.

7	Receiver Strap
8	Water Coupling

600189-1
83-3202-3

Q270 PANELS



pt1293

DESCRIPTION

			PART NO.
1	Front Panel Assembly		76-2951-3
2	Air Filter		76-2952-3
3	Door Frame Assembly		76-2953-3
4	Bin Door		43-0439-3
5	Back Panel, Upper		603467-1

Miscellaneous – Brackets, Screws, etc.

6	Front Cover Screw	†	52-0223-9
7	Screw, #10-24 x .50	†	52-0206-9
8	Ice Scoop (Not shown)	†	33-0260-3

INTENTIONALLY LEFT BLANK