



**Ice Machine Parts List for
Series Q280 Models**

QR0280A

QD0283W

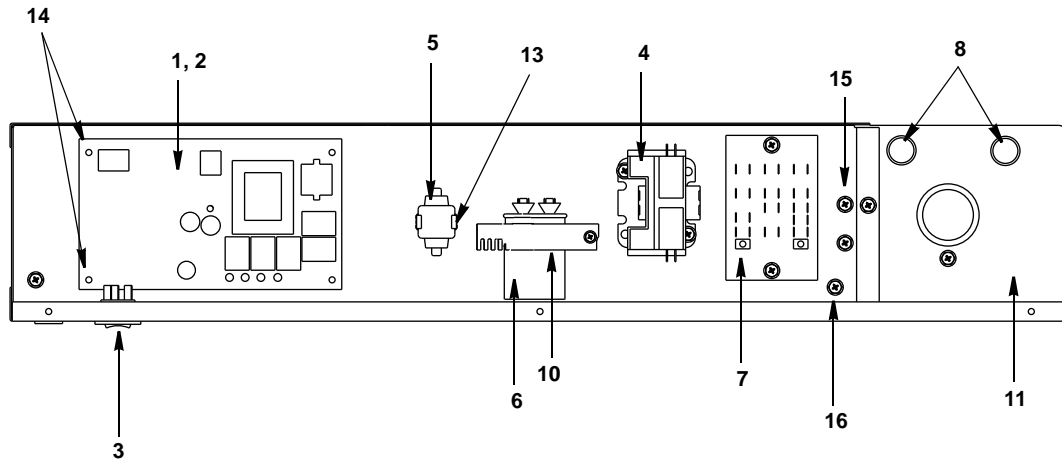
QR0281W

QY0284A

QD0282A

QY0285W

Q280 CONTROL BOX



pt1150

DESCRIPTION

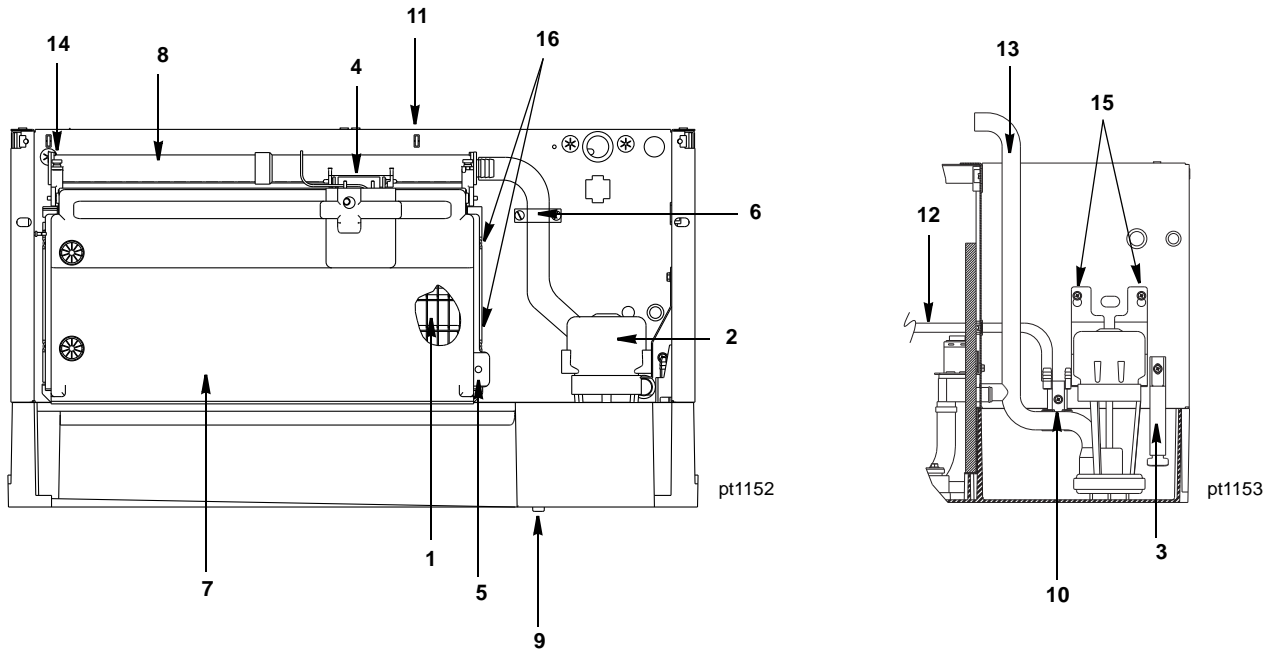
	PART NO.
1 Control Board (for use with all voltages)	† 76-2782-3
2 7 Amp Fuse – Mounted on Control Board	25-1100-3
3 Toggle Switch Only	23-0134-3
a. Toggle Switch with Wiring Harness Attached	20-3217-3
4 Contactor	
a. 115V/60 Hz/1 Ph.	† 20-0656-9
b. 208-230V/60 Hz/1 Ph or 230V/50 Hz/1 Ph	† 20-0657-9
5 P.T.C.R. Compressor Starter	85-0500-3
6 Run Capacitor (230/60 and 230/50 Only)	85-0400-3
7 Terminal Board with Wire Harness Attached	
a. 115V/60 Hz/1 Ph.	20-3282-3
b. 208-230V/60 Hz/1 Ph	20-3289-3
c. 208-230V/50 Hz/1 Ph	20-3283-3
8 Refrigeration Service Valve	83-7326-3
9 High Pressure Cut-out	23-5541-3

Miscellaneous – Brackets, Screws, etc.

10 Capacitor Bracket	603313-1
11 Control Box	605105-1
12 Control Box Cover (Not shown)	76-2805-3
13 P.T.C.R. Compressor Starter Mounting Bracket	85-0502-3
14 Control Board Mounting Supports	43-0225-3
15 Screw, #10-24 x .50 Ground.	† 52-0216-9
16 Screw, #10-24 x .50 Hex Head.	† 52-0206-9

† Refer to Cross Reference Guide

Q280 EVAPORATOR COMPARTMENT



DESCRIPTION

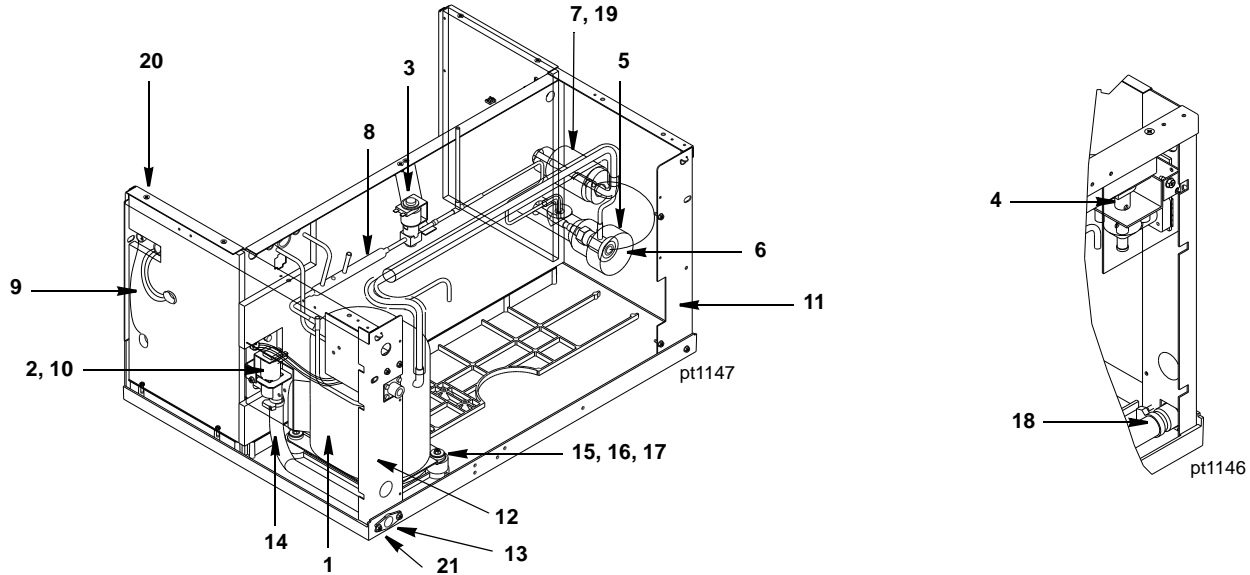
		PART NO.
1	Evaporator Assembly	
	a. Regular Cube	† 76-2585-9
	b. Dice Cube	† 76-2584-9
	c. Half Dice Cube	† 76-2658-9
2	Water Pump	
	a. 115V/60 Hz	† 76-2306-3
	b. 208-230V/60 Hz or 230V/50 Hz	† 76-2601-3
3	Water Level Probe	25-1129-3
4	Ice Thickness Control Probe	† 76-2781-3
5	Magnetic Bin Switch (Mounted to Evaporator)	† 23-0148-3
6	Water Flow Clamp (Use on Regular Cube Evap. Only)	76-2054-3
7	Water Curtain	40-0478-3
	a. Water Curtain Magnet and Clip	† 76-2802-3
	b. Water Curtain Pin Assembly	76-2776-3
8	Water Distribution Tube	† 76-2498-3
9	Water Trough Drain Plug	† 43-0062-9
10	Water Inlet Flow Tube	43-0388-3

Miscellaneous – Brackets, Screws, etc.

11	Nylon Spring Clip	† 56-5090-9
12	Water Inlet Tubing .375 ID	44-2123-3
13	Tubing (Water Pump Out)	44-2113-3
14	Screw, #8-32 x .63 Nylon Water Distribution Tube Mounting	† 50-0001-3
15	Screw, #10-24 x .50	† 52-0206-9
16	Screw, #10-24 x .750 – Used to Mount Evaporator	† 52-0218-9
17	Base and Water Trough Repair Kit	† 76-2806-3
18	Evaporator Top Molding and Gasket Assembly	76-2621-3

† Refer to Cross Reference Guide

Q280 REFRIGERATION COMPARTMENT – COMMON PARTS

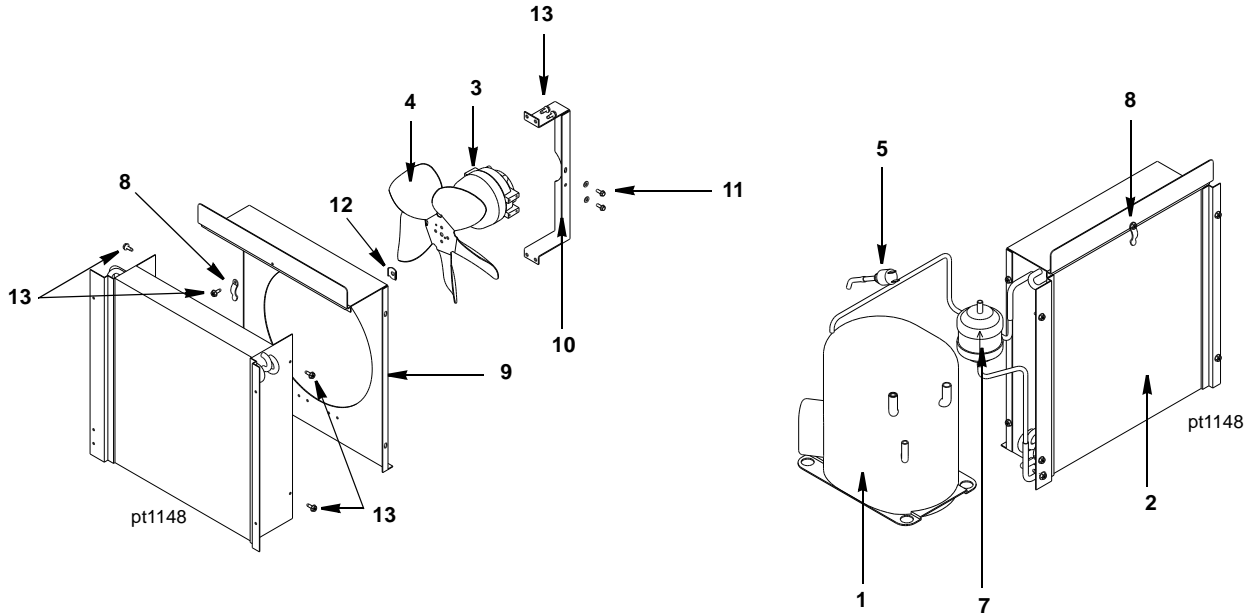


DESCRIPTION

			PART NO.
1	Compressor		
a.	115V/60 Hz/1 Ph (Tecumseh)	†	76-2936-3
	Overload for 115V/60 Hz/1 Ph Compressor (Tecumseh)		85-0573-3
b.	115V/60 Hz/1 Ph (Danfoss)		76-0136-3
	Overload for Compressor		82-5140-3
	Starting Device (Danfoss)		20-0205-3
	Start Capacitor (Danfoss)		85-0577-3
c.	208/230V 60 Hz/1 Ph (Tecumseh)	†	76-2937-3
	Overload for 208/230V/60 Hz/1 Ph Compressor		85-0574-3
d.	208/230V 60 Hz/1 Ph (Danfoss)		76-0137-3
	Starting Device (Danfoss)		20-0210-3
	Start Capacitor (Danfoss)		85-0372-3
e.	230V/50 Hz/1 Ph Compressor (Tecumseh)	†	76-2938-3
	Overload for 230V/50 Hz/1 Ph Compressor		85-0575-3
f.	230V/50 Hz/1 Ph Compressor (Danfoss)		76-0137-3
	Starting Device (Danfoss)		20-0210-3
	Start Capacitor (Danfoss)		85-0372-3
2	Water Dump Valve		
a.	Dump Valve, 115V		000001767
b.	Dump Valve, 208/230V 50/60 Hz		000001768
c.	Dump Valve Rebuild Kit		No Longer Available
3	Hot Gas Valve		
a.	Hot Gas Valve Including 115V 60 Hz Electrical Coil (Danfoss)	†	76-3001-1
b.	Hot Gas Valve 115V Coil Only Danfoss		000005156
c.	Hot Gas Valve 115V Coil Only Alco		24-0436-3
d.	Hot Gas Valve Including 208/230V 50/60 Hz Electrical Coil (Danfoss)	†	76-3007-1
e.	Hot Gas Valve 208/230V 50/60 Hz Coil Only Danfoss		000005157
f.	Hot Gas Valve 208/230V 50/60 Hz Coil Only Alco	†	24-0448-3
4	Water Inlet Valve		
a.	Water Inlet Valve Including 115V Coil		76-0112-3
b.	Water Inlet Valve Including 208/230V 50/60 Hz Coil		76-0113-3
5	Expansion Valve	†	76-0018-3
6	Expansion Valve Body Insulation Boot		
a.	Alco		40-0721-3
b.	Danfoss		40-0036-3
7	Expansion Valve Bulb Insulation Boot		40-0720-3
8	Manifold Strainer (in front of hot gas valve)		83-1023-3
9	Water Pump Electrical Wire Lead		20-7720-3
Miscellaneous – Brackets, Screws, etc.			
10	Dump Valve Mounting Bracket		602354-1
11	Left Corner Post Weldment		602177-1
12	Right Corner Post Weldment		602176-1
13	Water Drain Female Wing Adapter		87-0608-3
14	Water Drain Vinyl Tubing, .625 ID	†	44-2038-3
15	Compressor Mounting Rubber Grommet	†	85-0306-9
16	Compressor Mounting Washer	†	55-7341-9
17	Compressor Mounting Screw	†	50-1230-9
18	Clamp, Water Drain	†	56-5070-9
19	Clamp, Expansion Valve Bulb	†	56-5052-9
20	Screw, #10-24 x .50	†	52-0209-9
21	Screw, #10-24 x .75	†	52-0218-9
22	Terminal Block (50 Hz only)		20-0614-3

† Refer to Cross Reference Guide

Q280 REFRIGERATION COMPARTMENT – AIR-COOLED



DESCRIPTION

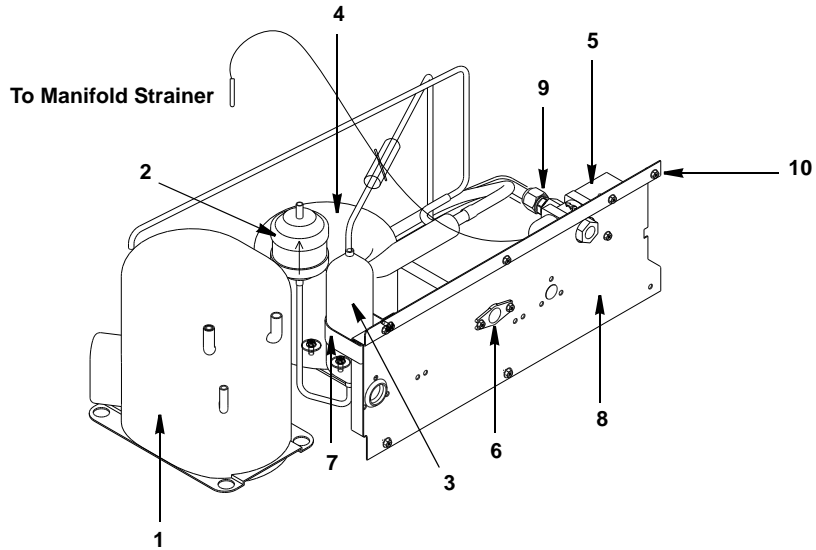
	PART NO.
1 Compressor (Refer to COMMON PARTS Page)	Page 4
2 Air Condenser	88-5130-3
3 Fan Motor	
a. 115V	† 24-1281-3
b. 208-230V/60 Hz or 230V/50 Hz	† 24-1282-3
4 Fan Blade	24-1622-3
5 Fan Cycling Control	† 20-0126-3
6 Air Filter (Not shown)	40-4019-3
7 Drier	† 89-3025-9

Miscellaneous – Brackets, Screws, etc.

8 Air Filter Clip	† 56-5069-9
9 Fan Shroud	603160-1
10 Fan Motor Mounting Bracket	688781-4
11 Screw, 8-36 x 7/16	† 50-2559-9
12 Speed Nut to Mount Fan Blade	† 54-7507-9
13 Screw, #10-24 x .50	† 52-0206-9

† Refer to Cross Reference Guide

Q280 REFRIGERATION COMPARTMENT – WATER-COOLED



pt1145

DESCRIPTION

1	Compressor (Refer to COMMON PARTS Page)
2	Drier
3	Receiver
4	Water-cooled Condenser
5	Water Regulating Valve
6	Water Drain Female Wing Adapter

PART NO.

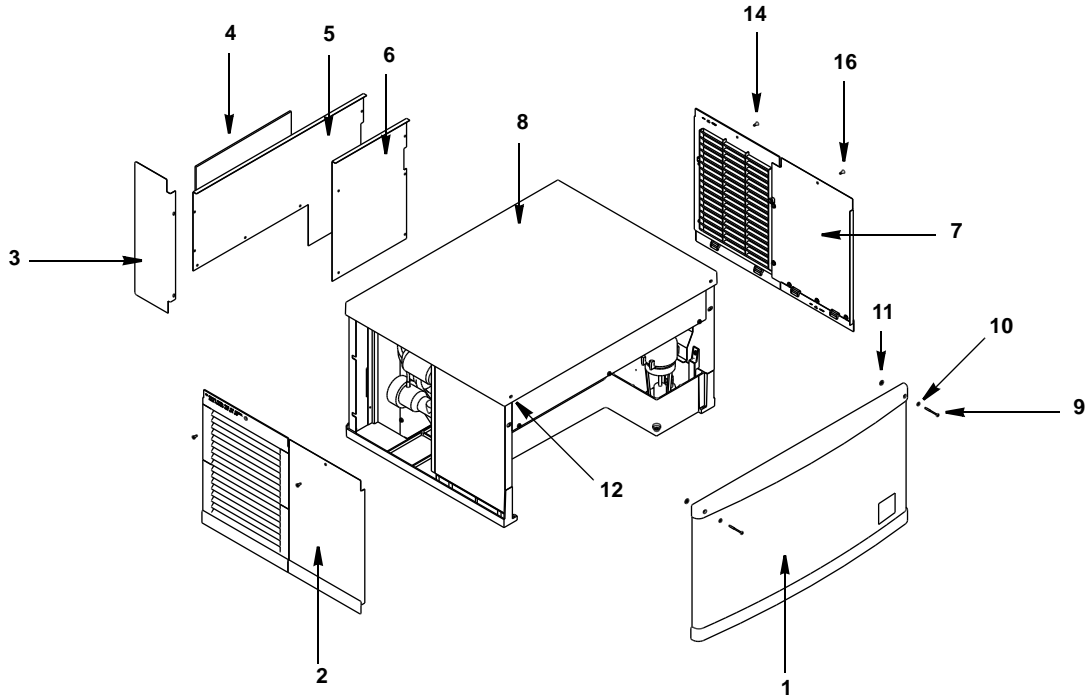
	Page 4
†	89-3025-9
	12-0003-1
†	88-6531-3
†	83-7206-9
	87-0608-3

Miscellaneous – Brackets, Screws, etc.

7	Receiver Strap
8	Back Panel
9	Water Coupling
10	Screw, #10-24 x .50

	600054-1
	601906-1
	83-3202-3
†	52-0206-9

Q280 PANELS



pt1144

DESCRIPTION

	PART NO.
1 Front Panel Assembly	76-2807-3
2 Left Side Panel	† 76-2808-3
3 Air Baffle	602374-1
4 Air Filter	40-4019-3
5 Back Panel, Water	602434-1
6 Back Panel, Air	602433-1
7 Right Side Panel	† 76-2809-3
8 Top Cover	43-0331-3

Miscellaneous – Brackets, Screws, etc.

9 Front Cover Screw	† 51-1901-9
10 Front Cover Washer	† 55-7338-9
11 Front Cover Screw Retainer	† 56-4827-9
12 Speed Nut Assembly to Mount Front Cover	† 54-7303-9
13 Front Cover Screw Assembly (Includes 2 of each #9, #10, #11, #12)	76-2898-3
14 Screw, #10-24 x .50 Flat	† 52-0209-9
15 Extruded Tape (Not shown)	† 92-0250-9
16 Screw 10-24 x 3/8"	† 50-2350-9

† Refer to Cross Reference Guide

INTENTIONALLY LEFT BLANK