



**Ice Machine Parts List for
Series Q320 Models**

QR0320A

QD0323W

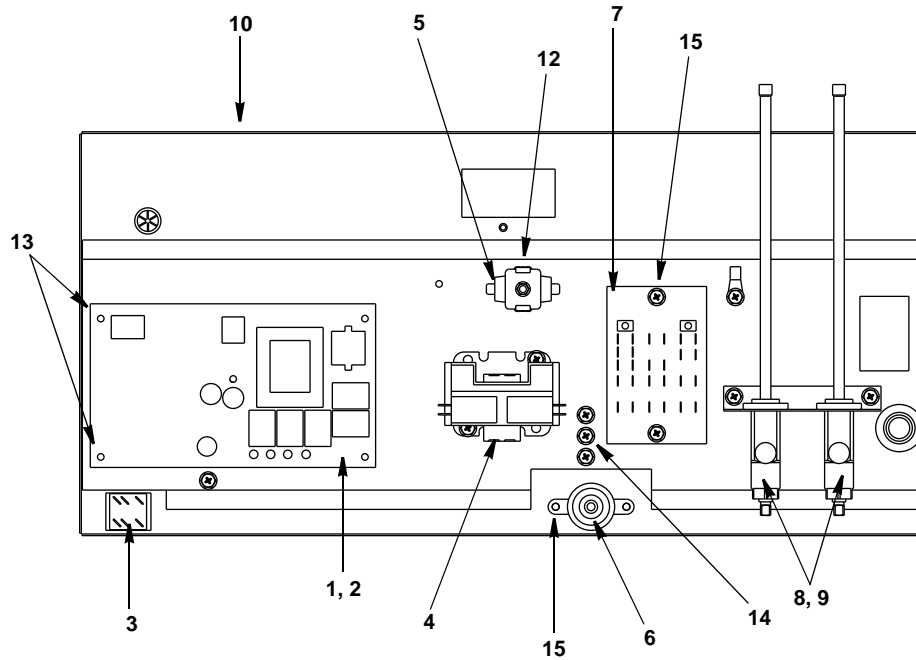
QR0321W

QY0324A

QD0322A

QY0325W

Q320 CONTROL BOX



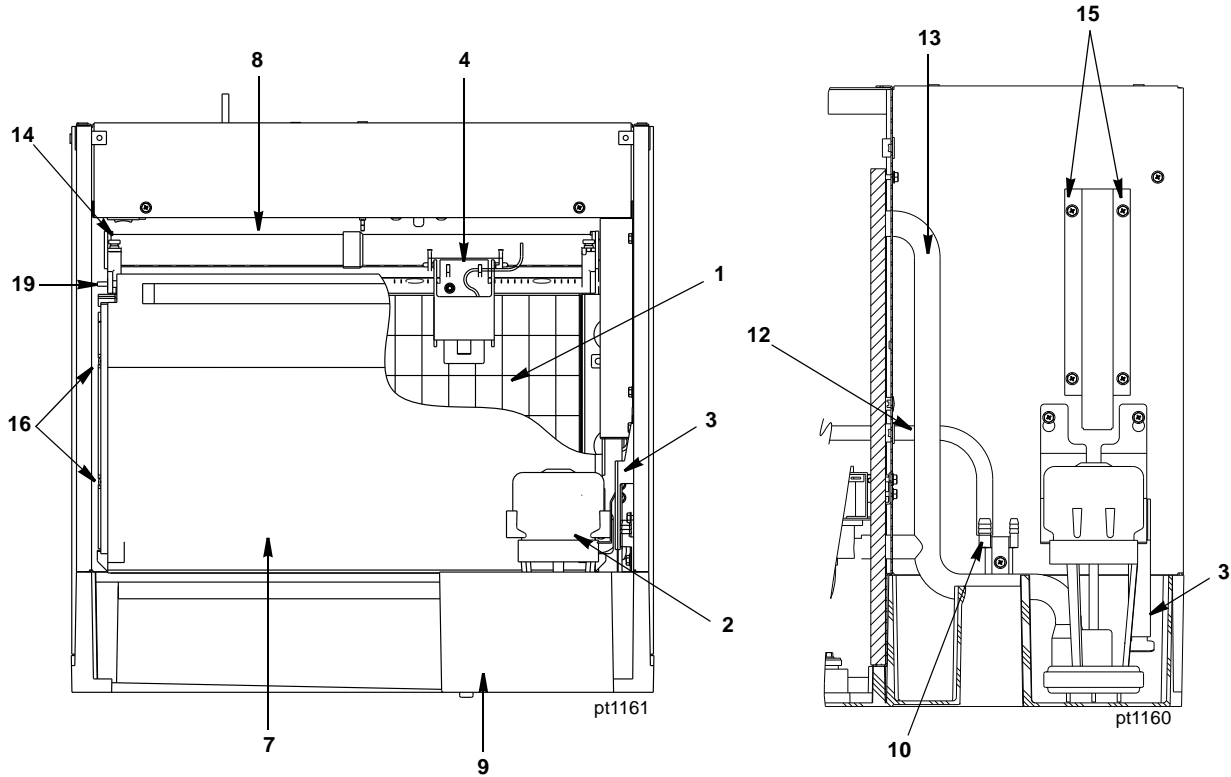
pt1162

DESCRIPTION

DESCRIPTION	PART NO.
1 Control Board (for use with all voltages)	† 76-2782-3
2 7 Amp Fuse – Mounted on Control Board	25-1100-3
3 Toggle Switch only	23-0134-3
a. Toggle Switch with Wiring Harness Attached	20-3217-3
4 Contactor	
a. 115V/60 Hz/1 Ph.	† 20-0658-9
b. 208-230V/60 Hz/1 Ph or 230V/50 Hz/1 Ph.	† 20-0659-9
5 P.T.C.R. Compressor Starter	85-0500-3
6 High Pressure Cut-out (Refrigeration System) (Manual Reset)	† 23-5536-9
6 High Pressure Cut-out (Auto Reset)	† 20-0124-3
7 Terminal Board with Wire Harness Attached	
a. 115V/60 Hz or 230V/60 Hz/1 Ph.	20-3244-3
b. 50 Hz/1 Ph	20-3245-3
8 Refrigeration Service Valve Assembly	83-7324-3
Miscellaneous – Brackets, Screws, etc.	
9 Locknut Used to Mount Refrigeration Service Valves	† 54-7503-9
10 Control Box.	601642-1
11 Control Box Cover (Not shown)	76-2803-3
12 P.T.C.R. Compressor Starter Mounting Bracket	85-0502-3
13 Control Board Mounting Supports	43-0225-3
14 Screw, #10-24 x .50 Ground.	† 52-0216-9
15 Screw, #8 x .75.	† 51-2166-9

† Refer to Cross Reference Guide

Q320 EVAPORATOR COMPARTMENT



DESCRIPTION

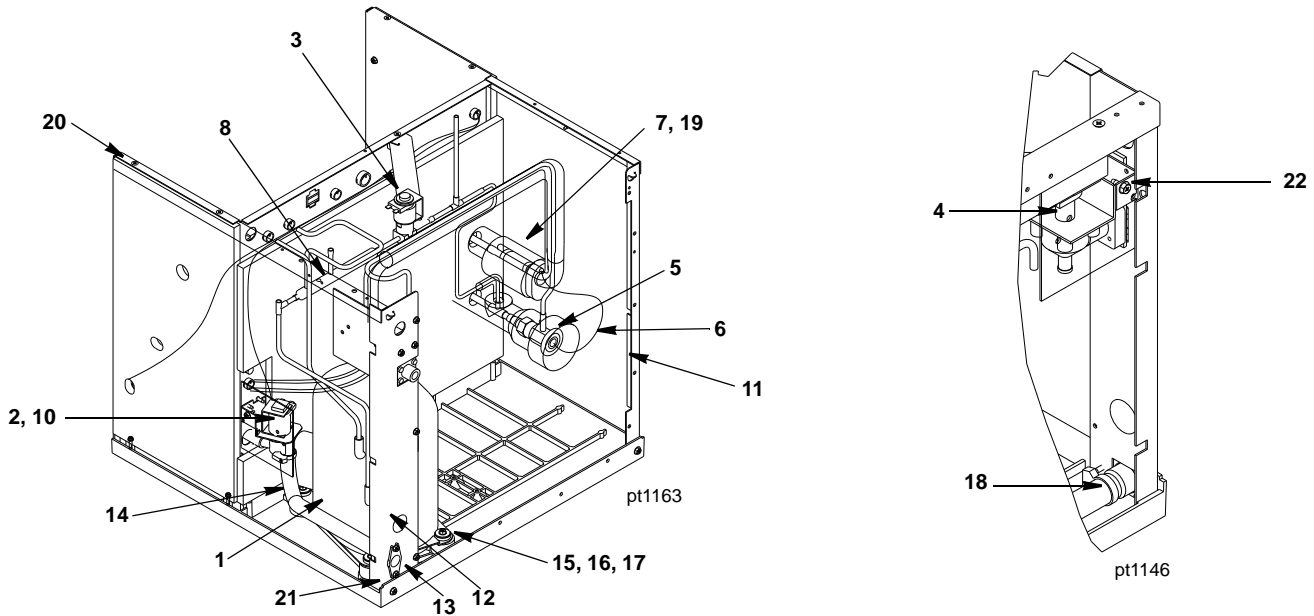
		PART NO.
1	Evaporator Assembly	
	a. Regular Cube	† 76-2520-9
	b. Dice Cube	† 76-2519-9
	c. Half Dice Cube	† 76-2518-9
2	Water Pump	
	a. 115V/60 Hz	† 76-2306-3
	b. 208-230V/60 Hz or 230V/50 Hz	† 76-2601-3
3	Water Level Probe	25-1129-3
4	Ice Thickness Control Probe	† 76-2781-3
5	Magnetic Bin Switch (Mounted to Evaporator)	† 23-0148-3
6	Water Flow Clamp (Use on Regular Cube Evap. Only)	76-2054-3
7	Water Curtain - After Serial Number 020566886	† 40-0477-3
	a. Water Curtain - Up to Serial Number 020566886	40-0863-3
8	Water Distribution Tube	† 76-2498-3
9	Water Trough Drain Plug	† 43-0062-9
10	Water Inlet Flow Tube	43-0388-3

Miscellaneous – Brackets, Screws, etc.

11	Water Curtain Magnet with Attachment Clip	† 76-2802-3
12	Water Inlet Tubing .375 ID	44-2123-3
13	Tubing (Water Pump Out)	† 40-0951-3
14	Screw, #8-32 x .63 Nylon Water Distribution Tube Mounting	50-0001-3
15	Screw, #10-24 x .50	† 52-0206-9
16	Screw, #10-24 x .750 Used to Mount Evaporator	† 52-0218-9
17	Base and Water Trough Repair Kit	† 76-2806-3
18	Evaporator Top Molding and Gasket Assembly	76-2621-3
19	Water Curtain Pin Assembly	76-2776-3

† Refer to Cross Reference Guide

Q320 REFRIGERATION COMPARTMENT – COMMON PARTS

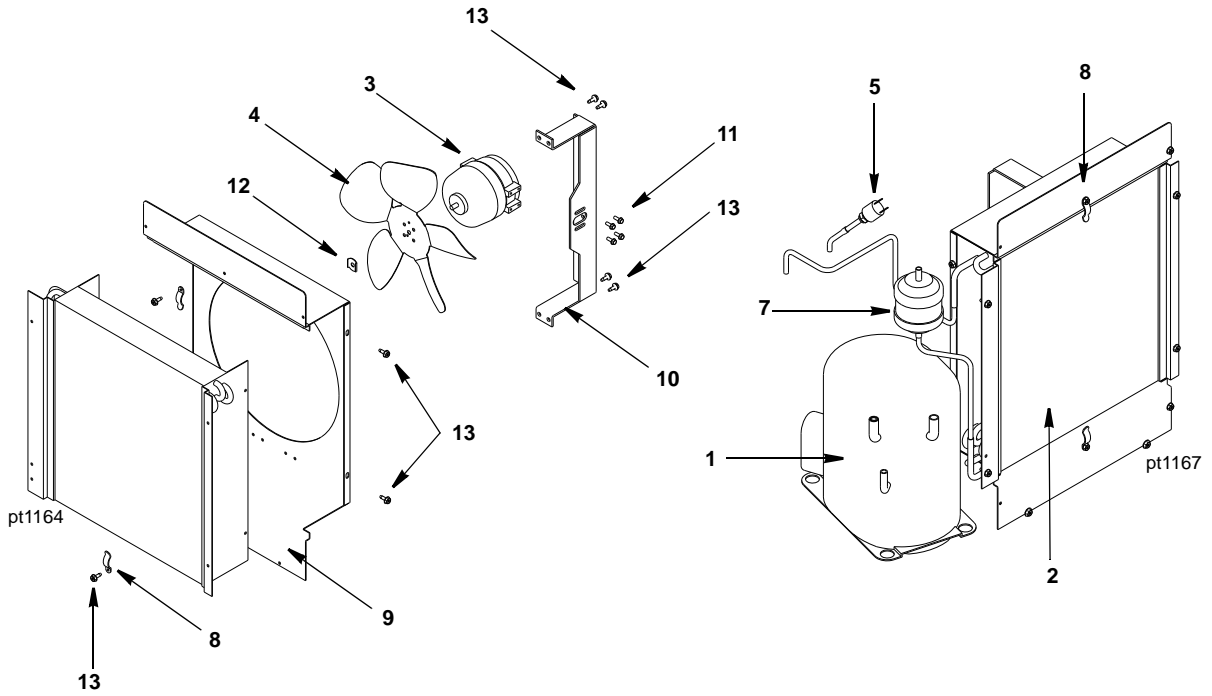


DESCRIPTION

		PART NO.
1	Compressor	
	a. 115V/60 Hz/1 Ph.....	† 76-2752-3
	b. Overload for Compressor 76-2752-3.....	85-0541-3
	c. 208/230V/60 Hz/1 Ph.....	† 76-2754-3
	d. Overload for Compressor 76-2754-3.....	85-0542-3
	e. 230V/50 Hz/1 Ph.....	† 76-2753-3
2	Water Dump Valve	
	a. Dump Valve, 115V.....	000001767
	b. Dump Valve, 208/230V 50/60 Hz.....	000001768
	c. Dump Valve Rebuild Kit.....	No Longer Available
3	Hot Gas Valve	
	a. Hot Gas Valve Including 115V 60 Hz Electrical Coil (Danfoss).....	† 76-3001-1
	b. Hot Gas Valve 115V Coil Only Danfoss.....	000002048
	c. Hot Gas Valve 115V Coil Only Alco.....	24-0436-3
	d. Hot Gas Valve Including 208/230V 50/60 Hz Electrical Coil (Danfoss).....	† 76-3007-1
	e. Hot Gas Valve 208/230V 50/60 Hz Coil Only Danfoss.....	000002049
	f. Hot Gas Valve 208/230V 50/60 Hz Coil Only Alco.....	† 24-0448-3
4	Water Inlet Valve	
	a. Water Inlet Valve Including 115V Coil.....	76-0112-3
	b. Water Inlet Valve Including 208/230V 50/60 Hz Coil.....	76-0113-3
5	Expansion Valve.....	† 76-0018-3
6	Expansion Valve Body Insulation Boot	
	a. Alco.....	40-0721-3
	b. Danfoss.....	40-0036-3
7	Expansion Valve Bulb Insulation Boot.....	40-0720-3
8	Manifold Strainer (in front of hot gas valve).....	83-1016-3
9	Water Pump Electrical Wire Lead (Not shown).....	† 20-7810-3
Miscellaneous – Brackets, Screws, etc.		
10	Dump Valve Mounting Bracket.....	† 603564-1
11	Left Corner Post Weldment.....	601744-1
12	Right Corner Post Weldment.....	601618-1
13	Water Drain Female Wing Adapter.....	87-0608-3
14	Water Drain Vinyl Tubing, .625 ID.....	† 44-2038-3
15	Compressor Mounting Rubber Grommet.....	† 85-0306-9
16	Compressor Mounting Washer.....	† 55-7341-9
17	Compressor Mounting Screw.....	† 50-1230-9
18	Clamp, Water Drain.....	† 56-5070-9
19	Clamp, Expansion Valve Bulb.....	† 56-5052-9
20	Screw, #10-24 x .50.....	† 52-0209-9
21	Screw, #10-24 x .50.....	† 52-0206-9
22	Water Inlet Valve Mounting Bracket.....	602354-1
23	Terminal Block (50 Hz Only).....	20-0614-3

† Refer to Cross Reference Guide

Q320 REFRIGERATION COMPARTMENT – AIR-COOLED



DESCRIPTION

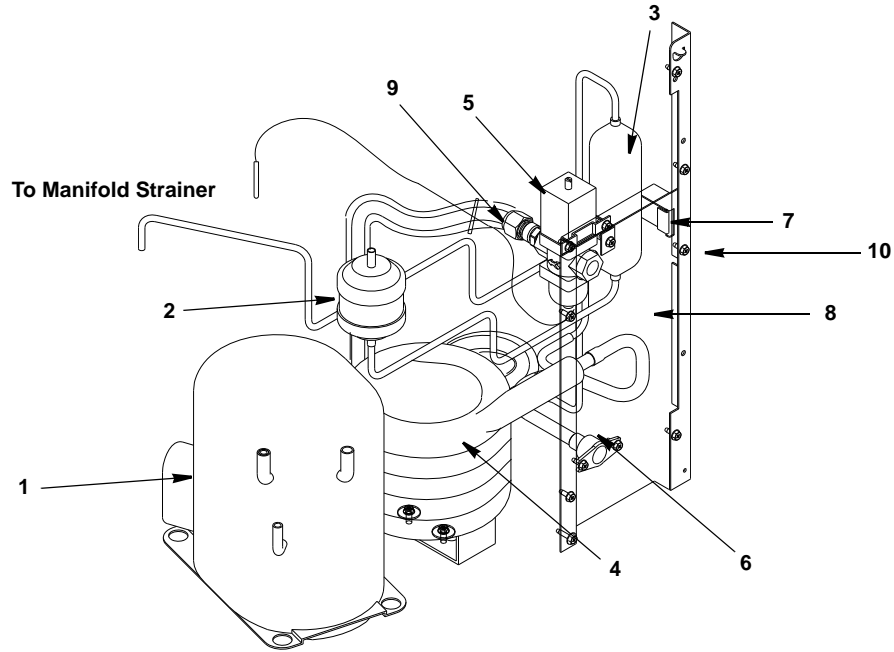
	DESCRIPTION	PART NO.
1	Compressor (Refer to COMMON PARTS Page)	Page 4
2	Air Condenser	88-5130-3
3	Fan Motor	
	a. 115V	† 24-1281-3
	b. 208-230V/60 Hz or 230V/50 Hz	† 24-1282-3
4	Fan Blade	24-1622-3
5	Fan Cycling Control	† 20-0126-3
6	Air Filter (Not shown)	40-4022-3
7	Drier	† 89-3025-9

Miscellaneous – Brackets, Screws, etc.

8	Air Filter Clip	† 56-5069-9
9	Fan Shroud	601619-1
10	Fan Motor Mounting Bracket	602743-1
11	Screw, 8-36 x 7/16	† 50-2559-9
12	Seed Nut to Mount Fan Blade	† 54-7507-9
13	Screw, #10-24 x .50	† 52-0206-9

† Refer to Cross Reference Guide

Q320 REFRIGERATION COMPARTMENT – WATER-COOLED



pt1165

DESCRIPTION

1	Compressor (Refer to COMMON PARTS Page)
2	Drier
3	Receiver
4	Water-cooled Condenser
5	Water Regulating Valve
6	Water Drain Female Wing Adapter

PART NO.

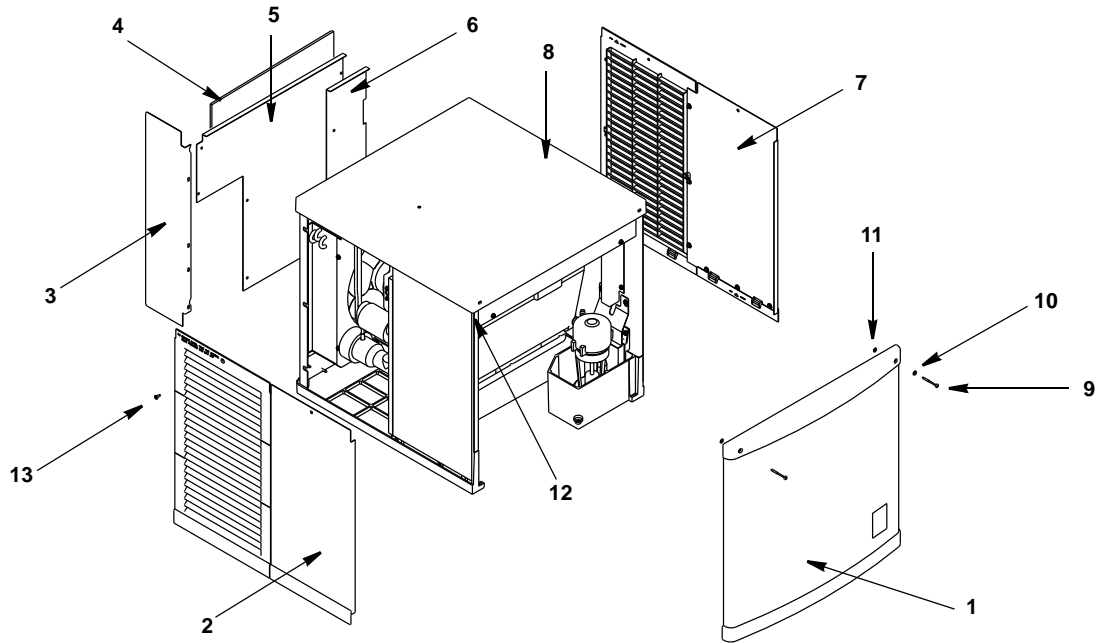
	Page 4
†	89-3025-9
	12-0003-1
†	88-6531-3
†	83-7206-9
	87-0608-3

Miscellaneous – Brackets, Screws, etc.

7	Receiver Strap
8	Back Panel
9	Water Coupling
10	Screw, #10-24 x .50

	600054-1
	602350-1
	83-3202-3
†	52-0206-9

Q320 PANELS



pt1166

DESCRIPTION

	DESCRIPTION		PART NO.
1	Front Panel Assembly.....		76-2829-3
2	Left Side Panel.....	†	76-2830-3
3	Air Baffle.....		602363-1
4	Air Filter.....		40-4022-3
5	Back Panel, Water.....		602518-1
6	Back Panel, Air.....		601636-1
7	Right Side Panel.....	†	76-2831-3
8	Top Cover.....		43-0299-3

Miscellaneous – Brackets, Screws, etc.

9	Front Cover Screw.....	†	51-1901-9
10	Front Cover Washer.....	†	55-7338-9
11	Front Cover Screw Retainer.....	†	56-4827-9
12	Speed Nut Assembly to Mount Front Cover.....	†	54-7304-9
13	Screw, #10-24 x .50 Flat.....	†	52-0209-9
14	Extruded Tape (Not shown).....	†	92-0250-9

NOTE: Items 9, 10, 11 and 12 can be ordered as assembly 76-2881-3.

INTENTIONALLY LEFT BLANK