



**Ice Machine Parts List for
Series Q370 Models**

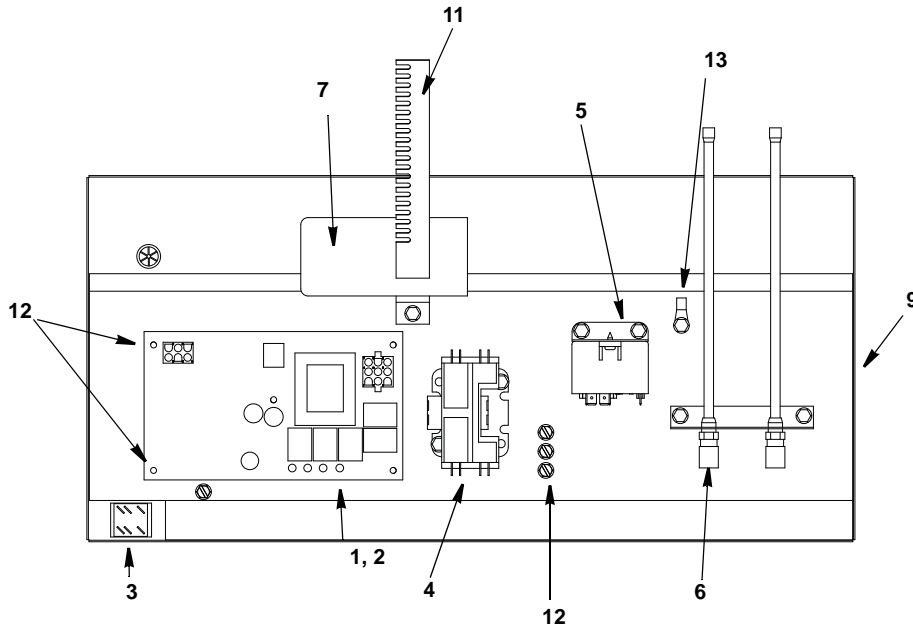
QD0372A

QY0374A

QD0373W

QY0375W

Q370 CONTROL BOX



sv3029

DESCRIPTION

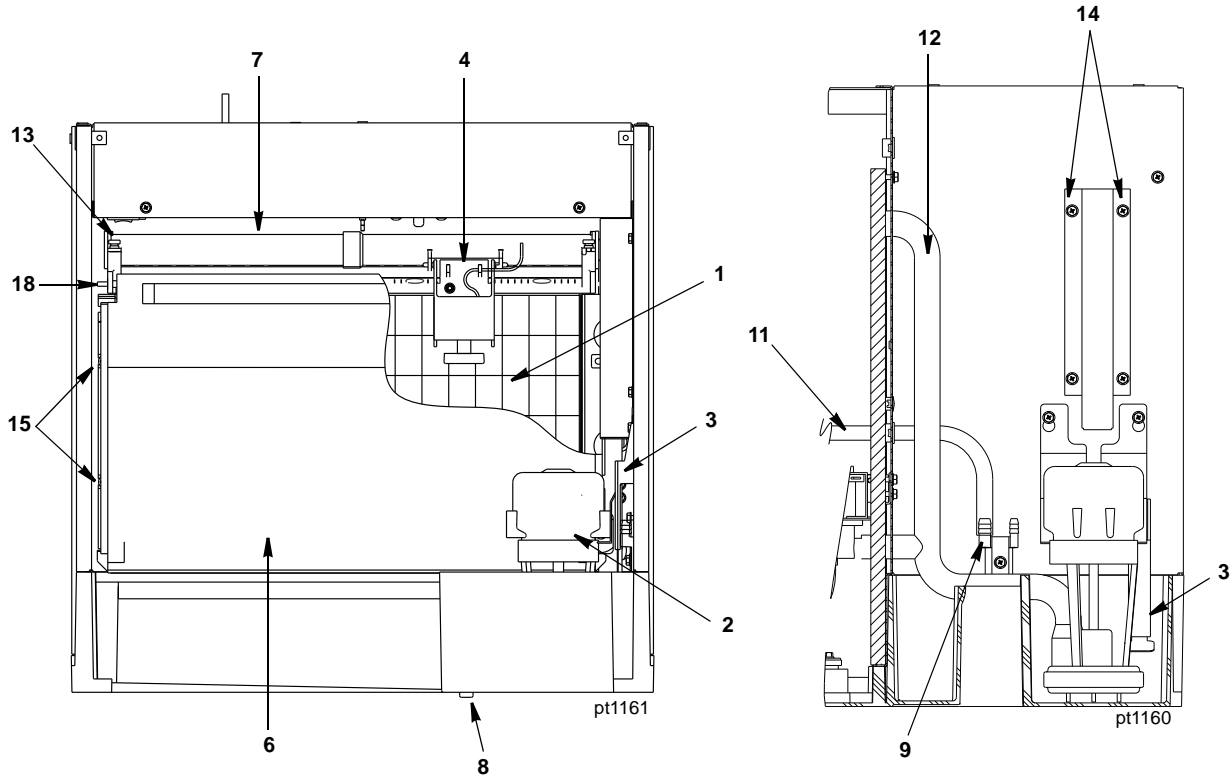
DESCRIPTION	PART NO.
1 Control Board (for use with all voltages)	† 76-2782-3
2 7 Amp Fuse – Mounted on Control Board	25-1100-3
3 Toggle Switch only	23-0134-3
a. Toggle Switch with Wiring Harness Attached	20-3217-3
4 Contactor	
a. 115V/60 Hz/1 Ph	20-0658-9
b. 208-230V/60 Hz/1 Ph or 230V/50 Hz/1 Ph	20-0659-9
5 Potential Relay	
a. 115V/60HZ/1PH.	20-0205-3
b. 208-230V/50-60HZ/1PH	20-0210-3
6 Refrigeration Service Valve Assembly	83-7326-3
7 Start Capacitor	
a. 115V/60 Hz/1 Ph	85-0577-3
b. 208-230V/50HZ/1PH or 230V/50 Hz/1 Ph.	85-0372-3
8 Wiring Harness (Control board to Bulkhead)	20-0212-3
a. 115V/60HZ/1Ph.	20-0211-3
b. 230V/60Hz/1Ph	20-0213-3
c. 230V/50Hz/1Ph	20-0214-3

Miscellaneous – Brackets, Screws, etc.

9 Control Box	603092-1
10 Control Box Cover (Not shown)	602349-1
11 Start Capacitor Mounting Bracket.	605090-1
12 Control Board Mounting Supports	43-0225-3
13 Screw, #10-24 x .50 Ground.	† 52-0216-9

† Refer to Cross Reference Guide

Q370 EVAPORATOR COMPARTMENT



DESCRIPTION

PART NO.

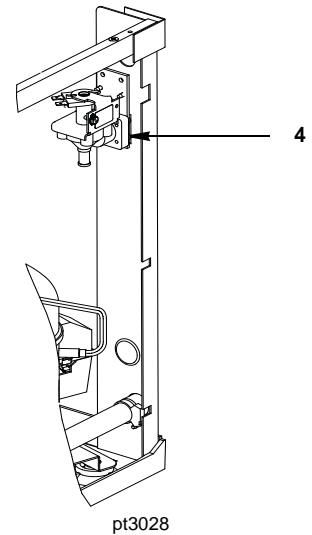
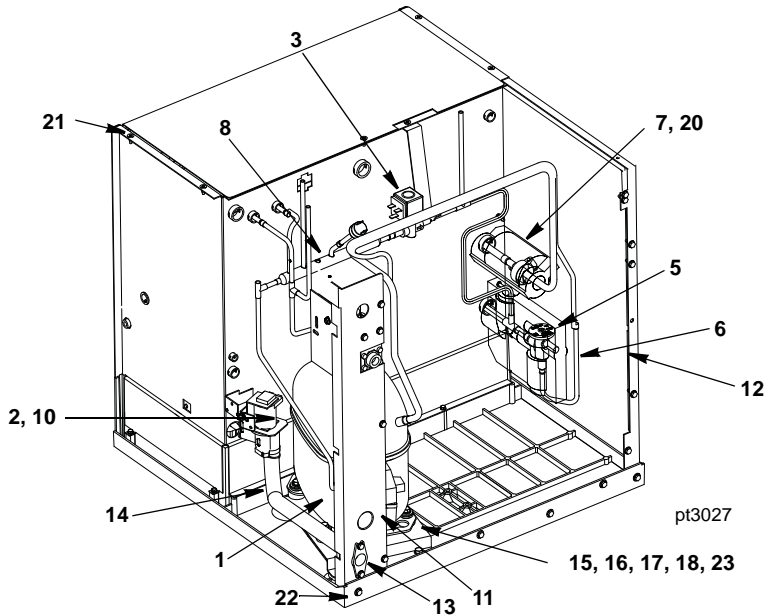
1 Evaporator Assembly	
a. Dice Cube	† 76-2519-9
b. Half Dice Cube	† 76-2518-9
2 Water Pump	
a. 115V/60 Hz	† 76-2306-3
b. 208-230V/60 Hz or 230V/50 Hz	† 76-2601-3
3 Water Level Probe	25-1129-3
4 Ice Thickness Control Probe	† 76-2781-3
5 Magnetic Bin Switch (Mounted to Evaporator)	† 23-0148-3
6 Water Curtain	† 40-0477-3
7 Water Distribution Tube	† 76-2498-3
8 Water Trough Drain Plug	† 43-0062-9
9 Water Inlet Flow Tube	43-0388-3

Miscellaneous – Brackets, Screws, etc.

10 Water Curtain Magnet with Attachment Clip	† 76-2802-3
11 Water Inlet Tubing .375 ID	44-2123-3
12 Tubing (Water Pump Out)	† 40-0951-3
13 Screw, #8-32 x .63 Nylon Water Distribution Tube Mounting	50-0001-3
14 Screw, #10-24 x .50	† 52-0206-9
15 Screw, #10-24 x .750 Used to Mount Evaporator	† 52-0218-9
16 Base and Water Trough Repair Kit	† 76-2806-3
17 Evaporator Top Molding and Gasket Assembly	76-2621-3
18 Water Curtain Pin Assembly	76-2776-3

† Refer to Cross Reference Guide

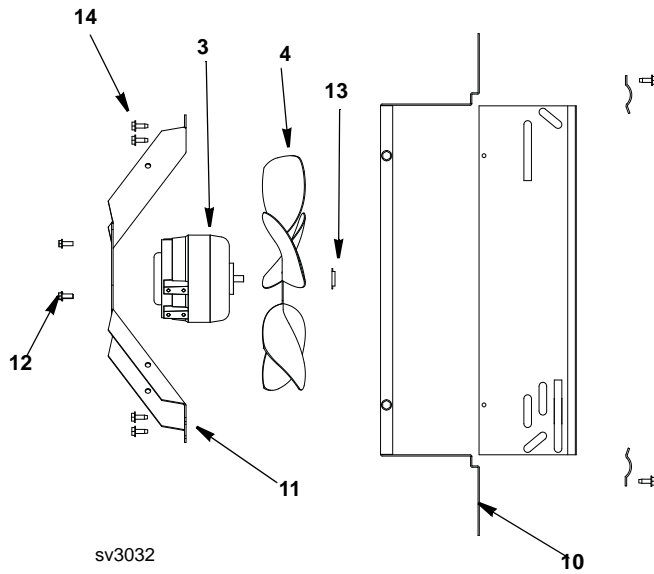
Q370 REFRIGERATION COMPARTMENT – COMMON PARTS



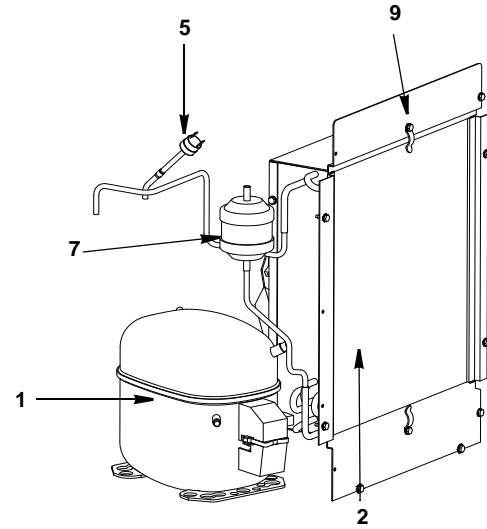
DESCRIPTION

		PART NO.
1	Compressor	
	a. 115V/60 Hz/1 Ph	76-0136-3
	b. Overload for Compressor	82-5140-3
	c. 208-230V/50/60 Hz/1 Ph	76-0137-3
	d. Wiring Harness All Voltages	20-0220-3
2	Water Dump Valve	
	a. Dump Valve, 115V	000001767
	b. Dump Valve, 208-230V/50-60 Hz	000001768
	c. Dump Valve Rebuild Kit.	No Longer Available
3	Hot Gas Valve	
	a. Hot Gas Valve with 115v/60HZ/1Ph coil	76-3001-3
	b. Hot Gas Valve 115V Coil Only	000005156
	c. Hot Gas Valve with 208-230V/50-60HZ/1Ph Coil	76-3007-1
	d. Hot Gas Valve 208-230V/50-60 Hz Coil Only	000005157
4	Water Inlet Valve	
	a. Water Inlet Valve Including 115V Coil	20-0313-9
	b. Water Inlet Valve Including 208-230V/50-60 Hz Coil.	20-0314-9
5	Expansion Valve	76-0158-3
6	Expansion Valve Body Insulation Boot	40-0036-3
7	Expansion Valve Bulb Insulation Boot	40-0720-3
8	Manifold Strainer (in front of hot gas valve)	82-5100-3
9	Water Pump Electrical Wire Lead (Not shown).	20-7810-3
	Miscellaneous – Brackets, Screws, etc.	
10	Dump Valve Mounting Bracket	† 603564-1
11	Left Corner Post Weldment	601744-1
12	Right Corner Post Weldment	601618-1
13	Water Drain Female Wing Adapter.	87-0608-3
14	Water Drain Vinyl Tubing, .625 ID.	† 44-2119-3
15	Compressor Mounting Rubber Grommet	† 50-0089-9
16	Compressor Rubber Grommet Sleeve	50-0090-9
17	Compressor Mounting Washer	50-0065-9
18	Compressor Mounting Screw	50-0093-9
19	Clamp, Water Drain	† 56-5070-9
20	Clamp, Expansion Valve Bulb.	† 56-5052-9
21	Screw, #10-24 x .50	† 52-0209-9
22	Screw, #10-24 x .50	† 52-0206-9
23	Compressor Adapter Plate	605046-1
	a. Compressor Adapter plate Mounting Screws	50-0094-9
	b. Sleeve Inside Grommet	50-0090-9
24	Terminal Block (50 Hz Only)	20-0614-3

Q370 REFRIGERATION COMPARTMENT – AIR-COOLED



sv3032



sv3031

DESCRIPTION

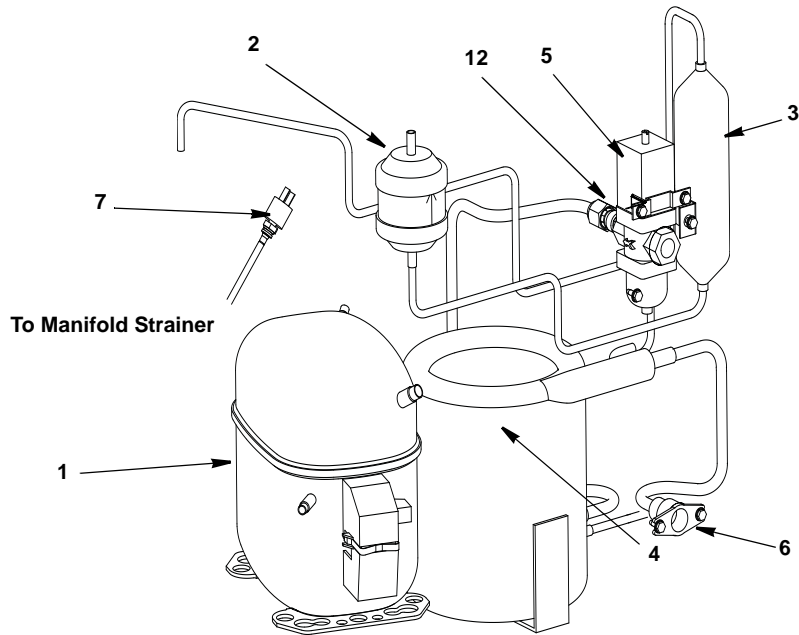
	PART NO.
1 Compressor (Refer to COMMON PARTS Page)	Page 4
2 Air Condenser	88-5130-3
3 Fan Motor	
a. 115V	† 24-1281-3
b. 208-230V/60 Hz or 230V/50 Hz	† 24-1282-3
4 Fan Blade	24-1622-3
5 Fan Cycling Control	20-0126-3
6 Air Filter (Not Shown)	40-4022-3
7 Drier	† 89-3025-9
8 Wiring Harness (Not Shown)	20-0157-3

Miscellaneous – Brackets, Screws, etc.

9 Air Filter Clip	† 56-5069-9
10 Fan Shroud	601619-1
11 Fan Motor Mounting Bracket	602743-1
12 Fan Motor Mounting Screw, 8-36 x 7/16	† 50-2559-9
13 Speed Nut to Mount Fan Blade	54-7507-9
14 Screw, #10-24 x .50	† 52-0206-9

† Refer to Cross Reference Guide

Q370 REFRIGERATION COMPARTMENT – WATER-COOLED



sv3030

DESCRIPTION

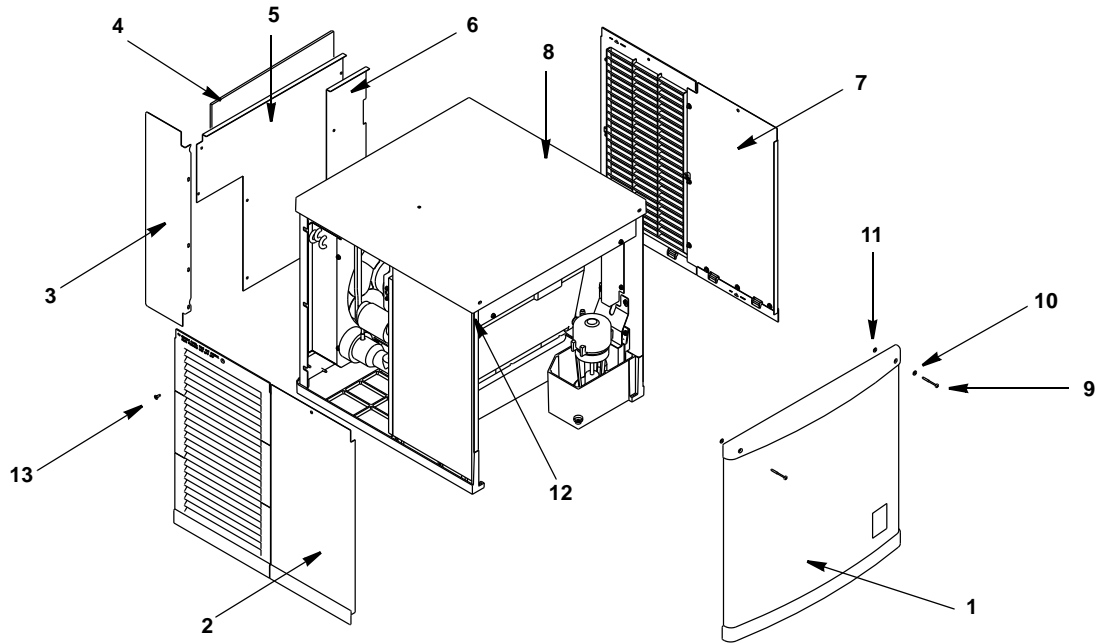
DESCRIPTION	PART NO.
1 Compressor (Refer to COMMON PARTS Page)	Page 4
2 Drier	89-3025-9
3 Receiver	12-0003-1
4 Water-cooled Condenser	† 88-6532-3
5 Water Regulating Valve	† 83-7206-9
6 Water Drain Female Wing Adapter	87-0610-3
7 High Pressure Control	23-5536-9
8 Wiring Harness (Not Shown)	20-0158-3

Miscellaneous – Brackets, Screws, etc.

9 Receiver Strap (Not Shown)	600054-1
10 Back Panel (Not Shown)	602350-1
11 Water Coupling	83-3202-3
12 Screw, #10-24 x .50	† 52-0206-9

† Refer to Cross Reference Guide

Q370 PANELS



pt1166

DESCRIPTION

	PART NO.
1 Front Panel Assembly	76-2829-3
2 Left Side Panel.	† 76-2830-3
3 Air Baffle.	602363-1
4 Air Filter	40-4022-3
5 Back Panel, Water	602518-1
6 Back Panel, Air.	601636-1
7 Right Side Panel	† 76-2831-3
8 Top Cover.	43-0299-3

Miscellaneous – Brackets, Screws, etc.

9 Front Cover Screw	† 51-1901-9
10 Front Side Cover Washer.	† 55-7338-9
11 Front Cover Screw Retainer.	† 56-4827-9
12 Speed Nut Assembly to Mount Front Cover.	† 54-7304-9
13 Screw, #10-24 x .50 Flat	† 52-0209-9
14 Extruded Tape (Not shown)	† 92-0250-9

NOTE: Items 9, 10, 11 and 12 can be ordered as assembly 76-2881-3.

INTENTIONALLY LEFT BLANK