



**Ice Machine Parts List for
Series Q420 Models**

QR0420A

QD0423W

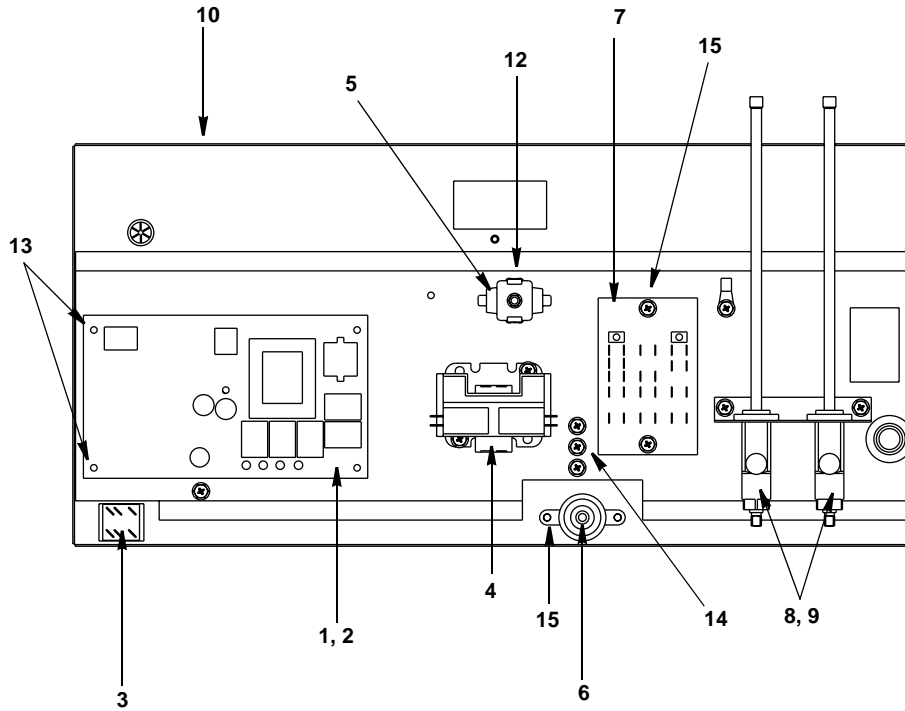
QR0421W

QY0424A

QD0422A

QY0425W

Q420 CONTROL BOX



pt1162

DESCRIPTION

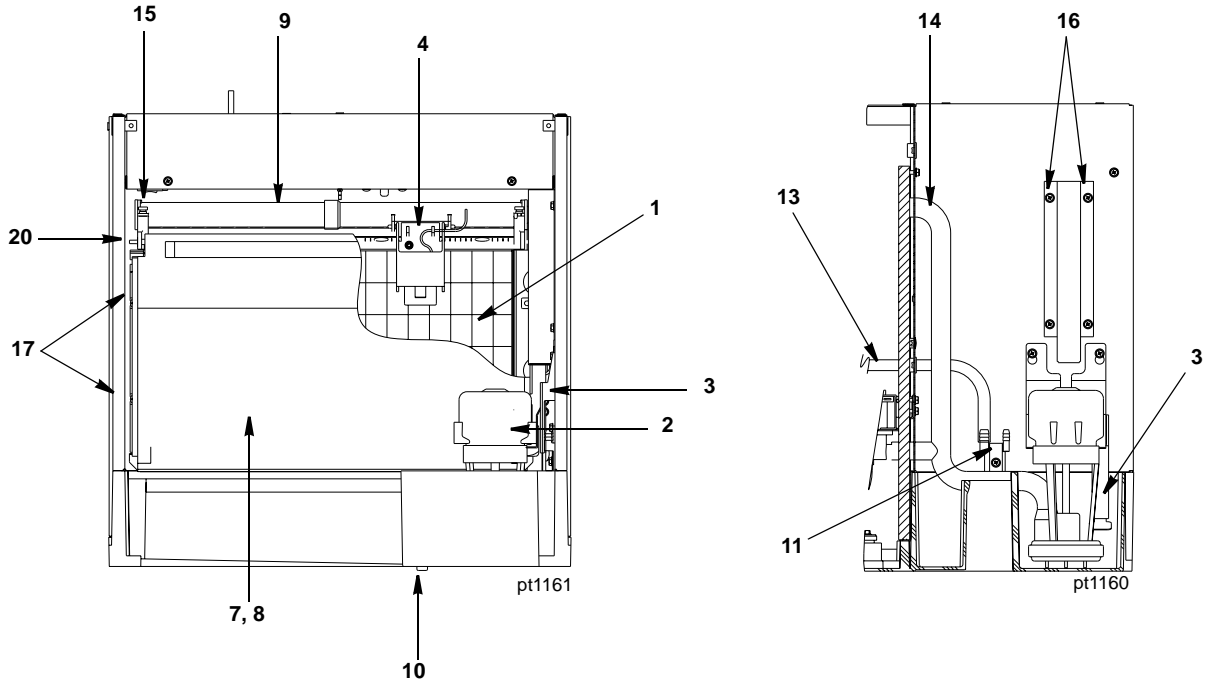
DESCRIPTION	PART NO.
1 Control Board (for use with all voltages)	† 76-2782-3
2 7 Amp Fuse – Mounted on Control Board	25-1100-3
3 Toggle Switch Only	23-0134-3
a. Toggle Switch with Wiring Harness Attached	20-3217-3
4 Contactor	
a. 115V/60 Hz/1 Ph	† 20-0658-9
b. 208-230V/60 Hz/1 Ph or 230V/50 Hz/1 Ph	† 20-0659-9
5 P.T.C.R. Compressor Starter.	85-0500-3
6 High Pressure Cut-out (Refrigeration System) (Manual Reset)	† 23-5536-9
6 High Pressure Cut-out (Auto Reset).	† 20-0124-3
7 Terminal Board with Wire Harness Attached	
a. 115V/60 Hz/1 Ph	20-3228-3
b. 230V/60 Hz/1 Ph	20-3229-3
c. 50 Hz/1 Ph.	20-3230-3
8 Refrigeration Service Valve Assembly	83-7324-3

Miscellaneous – Brackets, Screws, etc.

9 Locknut Used to Mount Refrigeration Service Valves.	† 54-7503-9
10 Control Box.	601642-1
11 Control Box Cover (Not shown)	76-2803-3
12 P.T.C.R. Compressor Starter Mounting Bracket	85-0502-3
13 Control Board Mounting Supports	43-0225-3
14 Screw, #10-24 x .50 Ground.	† 52-0216-9
15 Screw, #8 x .75.	† 51-2166-9

† Refer to Cross Reference Guide

Q420 EVAPORATOR COMPARTMENT



DESCRIPTION

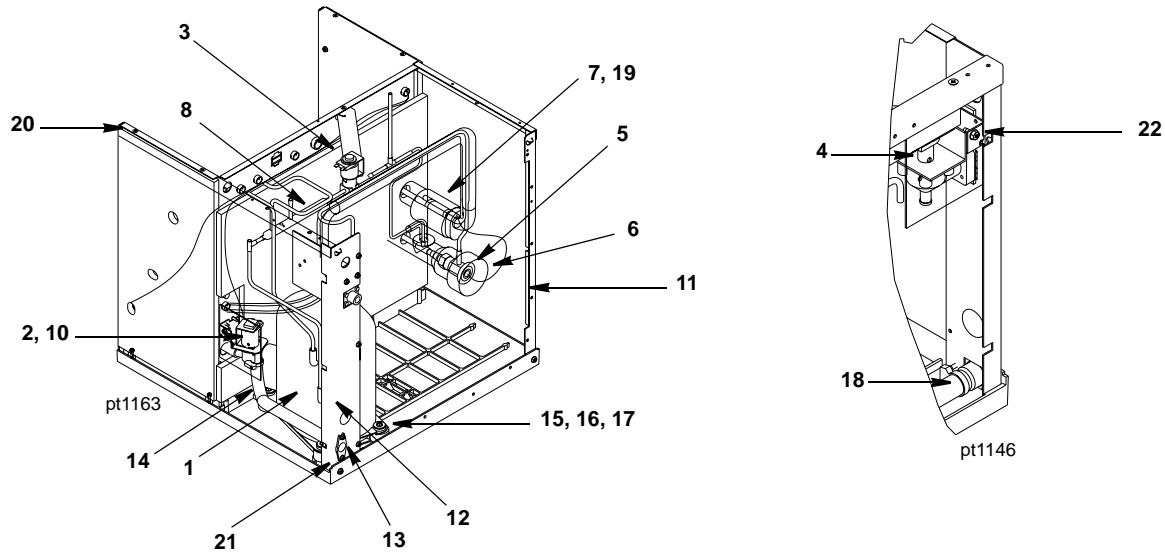
		PART NO.
1	Evaporator Assembly	
	a. Regular Cube	† 76-2512-9
	b. Dice Cube	† 76-2511-9
	c. Half Dice Cube	† 76-2510-9
2	Water Pump	
	a. 115V/60 Hz	† 76-2306-3
	b. 208-230V/60 Hz or 230V/50 Hz	† 76-2601-3
3	Water Level Probe	25-1129-3
4	Ice Thickness Control Probe	† 76-2781-3
5	Magnetic Bin Switch (Mounted to Evaporator)	† 23-0148-3
6	Water Flow Clamp (Use on Regular Cube Evap. Only)	76-2054-3
7	Water Curtain Up to SN 205-66500	† 40-0911-3
8	Water Curtain After SN 205-66500	† 40-0479-3
9	Water Distribution Tube	† 76-2498-3
10	Water Trough Drain Plug	† 43-0062-9
11	Water Inlet Flow Tube	43-0388-3

Miscellaneous – Brackets, Screws, etc.

12	Water Curtain Magnet with Attachment Clip	† 76-2802-3
13	Water Inlet Tubing .375 ID	44-2111-3
14	Tubing (Water Pump Out)	† 40-0954-3
15	Screw, #8-32 x .63 Nylon Water Distribution Tube Mounting	† 50-0001-3
16	Screw, #10-24 x .50	† 52-0206-9
17	Screw, #10-24 x .750 Used to Mount Evaporator	† 52-0218-9
18	Base and Water Trough Repair Kit	† 76-2806-3
19	Evaporator Top Molding and Gasket Assembly	76-2621-3
20	Water Curtain Pin Assembly	76-2776-3

† Refer to Cross Reference Guide

Q420 REFRIGERATION COMPARTMENT – COMMON PARTS

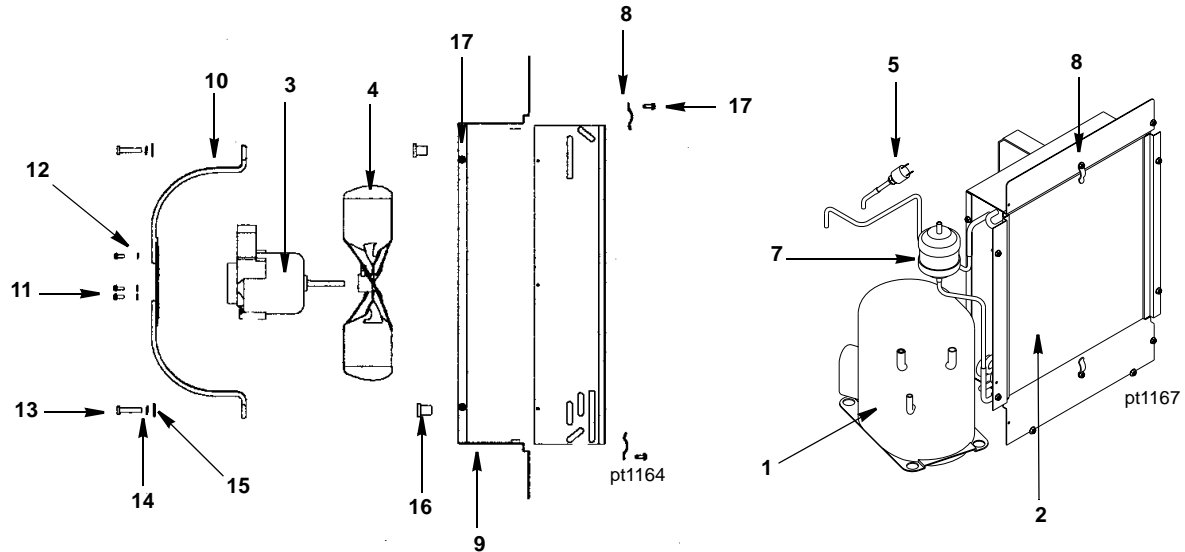


DESCRIPTION

		PART NO.
1	Compressor	
	a. 115V/60 Hz/1 Ph.....	† 76-2810-3
	b. Overload for Compressor 76-2810-3	85-0555-3
	c. 208/230V/60 Hz/1 Ph	† 76-2812-3
	d. Overload for Compressor 76-2812-3	85-0556-3
	e. 230V/50 Hz/1 Ph	† 76-2811-3
	f. Overload for Compressor 76-2811-3	85-0557-3
2	Water Dump Valve	
	a. Dump Valve Assembly without Electrical Coil.....	† 24-0520-3
	b. Dump Valve Coil Only, 115V	24-0521-3
	c. Dump Valve Coil Only, 208/230V 50/60 Hz	24-0522-3
	d. Dump Valve Rebuild Kit	24-0501-3
3	Hot Gas Valve	
	a. Hot Gas Valve Including 115V 60 Hz Electrical Coil (Danfoss)	† 76-3001-1
	b. Hot Gas Valve 115V Coil Only Danfoss	20-0176-3
	c. Hot Gas Valve 115V Coil Only Alco	24-0436-3
	d. Hot Gas Valve Including 208/230V 50/60 Hz Electrical Coil (Danfoss)	† 76-3007-1
	e. Hot Gas Valve 208/230V 50/60 Hz Coil Only Danfoss	20-0177-3
	f. Hot Gas Valve 208/230V 50/60 Hz Coil Only Alco	† 24-0448-3
4	Water Inlet Valve	
	a. Water Inlet Valve Including 115V Coil	† 76-0112-3
	b. Water Inlet Valve Including 208/230V 50/60 Hz Coil	† 76-0113-3
5	Expansion Valve	† 76-0019-3
6	Expansion Valve Body Insulation Boot	
	a. Alco	40-0721-3
	b. Danfoss	40-0036-3
7	Expansion Valve Bulb Insulation Boot	40-0720-3
8	Manifold Strainer (in front of hot gas valve)	83-1016-3
9	Water Pump Electrical Wire Lead (Not shown)	† 20-7810-3
	Miscellaneous – Brackets, Screws, etc.	
10	Dump Valve Mounting Bracket	† 603564-1
11	Left Corner Post Weldment	602534-1
12	Right Corner Post Weldment	602533-1
13	Water Drain Female Wing Adapter	87-0608-3
14	Water Drain Vinyl Tubing, .625 ID	† 44-2038-3
15	Compressor Mounting Rubber Grommet	† 85-0306-9
16	Compressor Mounting Washer	† 55-7341-9
17	Compressor Mounting Screw	† 50-1230-9
18	Clamp, Water Drain	† 56-5070-9
19	Clamp, Expansion Valve Bulb	† 56-5052-9
20	Screw, #10-24 x .50	† 52-0209-9
21	Screw, #10-24 x .50	† 52-0206-9
22	Water Inlet Valve Mounting Bracket	602354-1
23	Terminal Block (50 Hz Only)	20-0614-3

† Refer to Cross Reference Guide

Q420 REFRIGERATION COMPARTMENT – AIR-COOLED



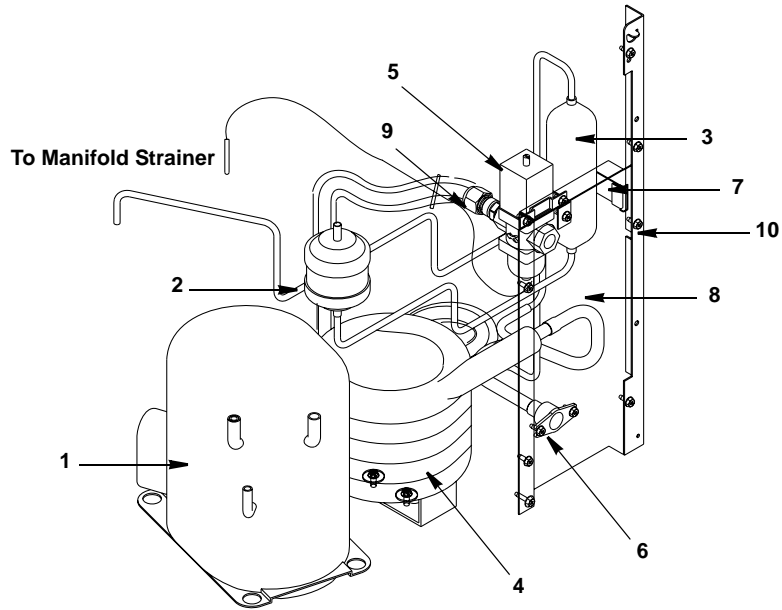
DESCRIPTION

	PART NO.
1 Compressor (Refer to COMMON PARTS Page)	Page 4
2 Air Condenser	88-5124-3
3 Fan Motor	
a. 115V	† 24-1292-9
b. 208-230V/60 Hz or 230V/50 Hz	† 24-1293-9
4 Fan Blade	24-1620-3
5 Fan Cycling Control	† 20-0126-3
6 Air Filter (Not shown)	40-4023-3
7 Drier	† 89-3025-9

Miscellaneous – Brackets, Screws, etc.

8 Air Filter Clip	† 56-5069-9
9 Fan Shroud	606162-1
10 Fan Motor Mounting Bracket	34-0662-3
11 Fan Motor Mounting Screw	† 50-2559-9
12 Fan Motor Mounting Flatwasher	† 55-0426-9
13 Fan Bracket Mounting Screw	† 50-3358-9
14 Fan Bracket Mounting Lockwasher	† 55-4510-9
15 Fan Bracket Mounting Flatwasher	† 55-7305-9
16 Fan Bracket Mounting Rubber Wellnut	† 54-2955-9
17 Screw, #10-24 x .50	† 52-0206-9

Q420 REFRIGERATION COMPARTMENT – WATER-COOLED



pt1165

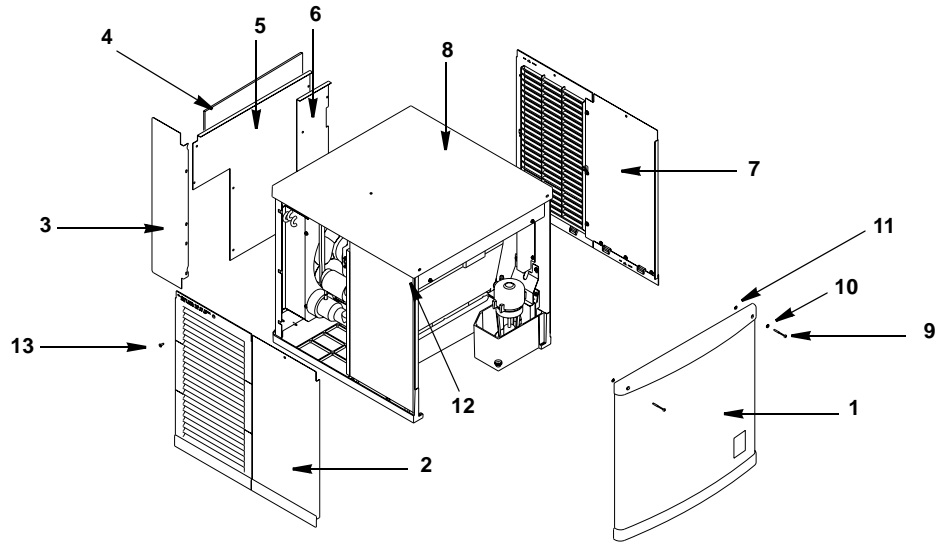
DESCRIPTION

DESCRIPTION	PART NO.
1 Compressor (Refer to COMMON PARTS Page)	Page 4
2 Drier	† 89-3025-9
3 Receiver	12-0003-1
4 Water-cooled Condenser	† 88-6532-3
5 Water Regulating Valve	† 83-7206-9
6 Water Drain Female Wing Adapter	87-0608-3

Miscellaneous – Brackets, Screws, etc.

7 Receiver Strap	600054-1
8 Back Panel	602350-1
9 Water Coupling	83-3202-3
10 Screw, #10-24 x .50	† 52-0206-9

Q420 PANELS



pt1166

DESCRIPTION

	PART NO.
1 Front Panel Assembly	76-2832-3
2 Left Side Panel.	† 76-2833-3
3 Air Baffle.	602375-1
4 Air Filter	40-4023-3
5 Back Panel, Water	602547-1
6 Back Panel, Air.	602546-1
7 Right Side Panel	† 76-2834-3
8 Top Cover.	43-0299-3

Miscellaneous – Brackets, Screws, etc.

9 Front Cover Screw	† 51-1901-9
10 Front Cover Washer.	† 55-7338-9
11 Front Cover Screw Retainer.	† 56-4827-9
12 Speed Nut Assembly to Mount Front Cover.	† 54-7304-9
13 Screw, #10-24 x .50 Flat	† 52-0209-9
14 Extruded Tape (Not shown)	† 92-0250-9

NOTE: Items 9, 10, 11 and 12 can be ordered as assembly 76-2881-3.