



## **Ice Machine Parts List for Series Q450 Models**

**QR0450A**

**QD0492N**

**QR0451W**

**QY0454A**

**QR0490N**

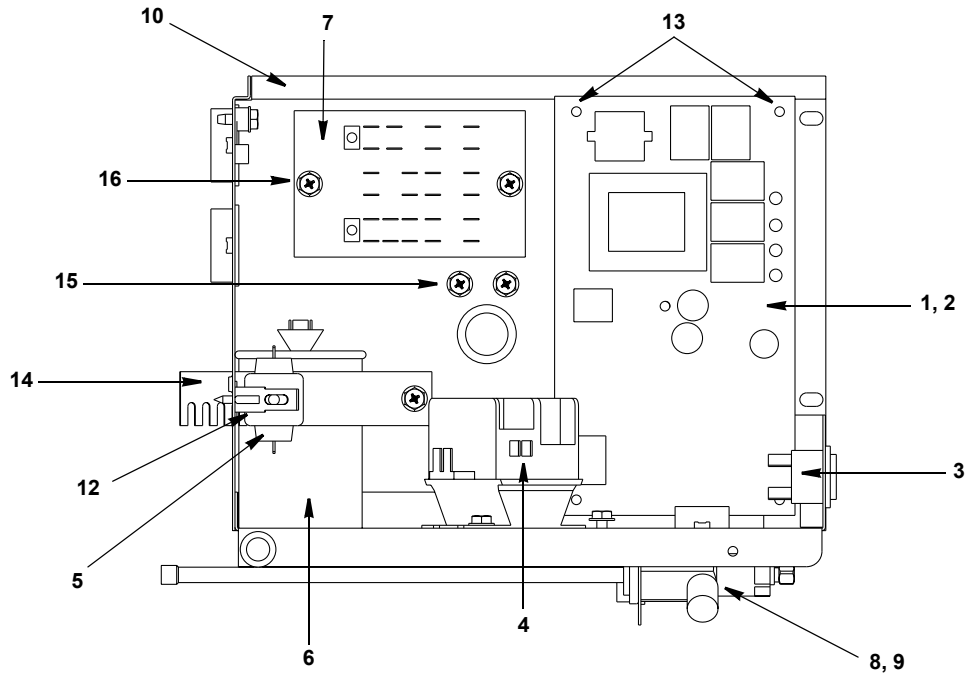
**QY0455W**

**QD0452A**

**QY0494N**

**QD0453W**

## Q450 CONTROL BOX



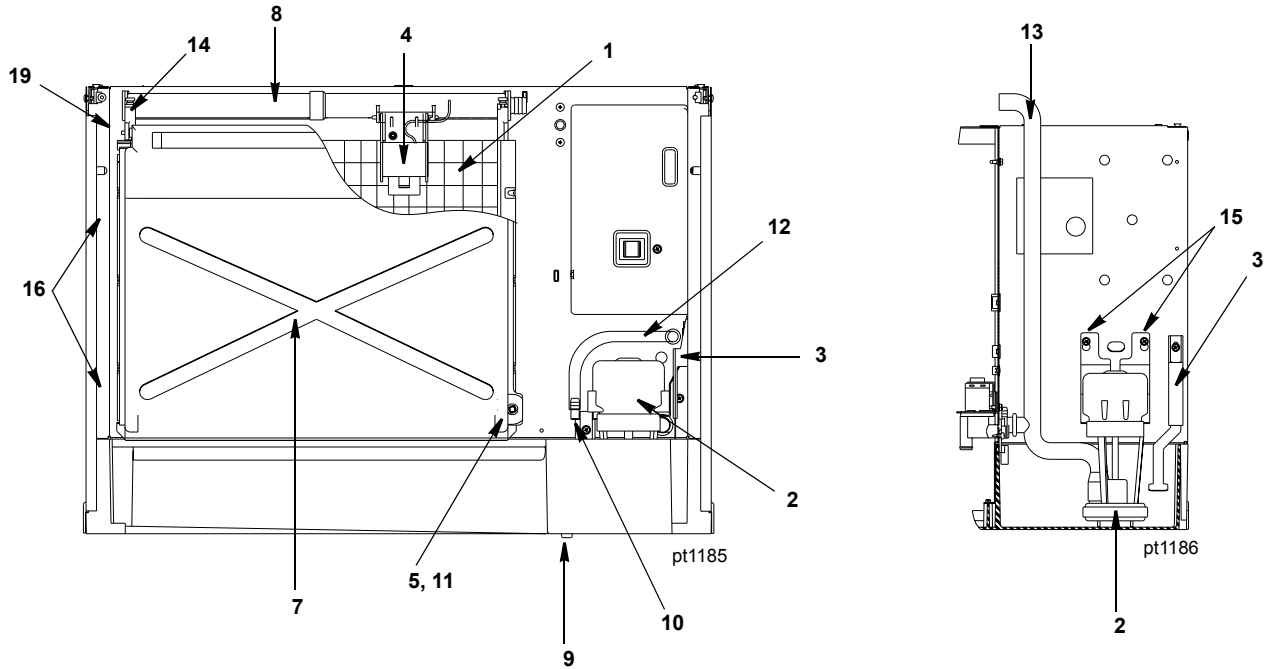
pt1176

### DESCRIPTION

|  | <b>PART NO.</b> |
|--|-----------------|
| 1 Control Board (for use with all voltages) . . . . .          | † 76-2782-3     |
| 2 7 Amp Fuse – Mounted on Control Board . . . . .              | 25-1100-3       |
| 3 <b>Toggle Switch</b> Only . . . . .                          | 23-0134-3       |
| a. Toggle Switch with Wiring Harness Attached . . . . .        | 20-3217-3       |
| 4 <b>Contactor</b>   |                 |
| a. 115V/60 Hz/1 Ph . . . . .                                   | † 20-0658-9     |
| b. 208-230V/60 Hz/1 Ph or 230V/50 Hz/1 Ph . . . . .            | † 20-0659-9     |
| 5 P.T.C.R. Compressor Starter . . . . .                        | 85-0500-3       |
| 6 <b>Compressor Run Capacitor</b>                              |                 |
| a. 115V/60 Hz/1 Ph . . . . .                                   | 85-0366-3       |
| b. 208-230V/60 Hz/1 Ph or 230V/50 Hz/1 Ph . . . . .            | 85-0400-3       |
| 7 <b>Terminal Board with Wire Harness Attached</b>             |                 |
| a. 115V/60 Hz/1 Ph . . . . .                                   | 20-3228-3       |
| b. 230V/60 Hz/1 Ph . . . . .                                   | 20-3229-3       |
| c. 50 Hz/1 Ph . . . . .  | 20-3230-3       |
| 8 Refrigeration Service Valve Assembly . . . . .               | 83-7324-3       |
| <b>Miscellaneous – Brackets, Screws, etc.</b>                  |                 |
| 9 Locknut Used to Mount Refrigeration Service Valves . . . . . | † 54-7503-9     |
| 10 Control Box . . . . .                                       | 602559-1        |
| 11 Control Box Cover (Not shown) . . . . .                     | † 76-2852-3     |
| 12 P.T.C.R. Compressor Starter Mounting Bracket . . . . .      | 85-0502-3       |
| 13 Control Board Mounting Supports . . . . .                   | 43-0225-3       |
| 14 Capacitor Mounting Strap . . . . .                          | 602495-1        |
| 15 Screw, #10-24 x .50 Ground . . . . .                        | † 52-0216-9     |
| 16 Screw, #10-24 x .50 . . . . .                               | † 52-0206-9     |

† Refer to Cross Reference Guide

## Q450 EVAPORATOR COMPARTMENT



### DESCRIPTION

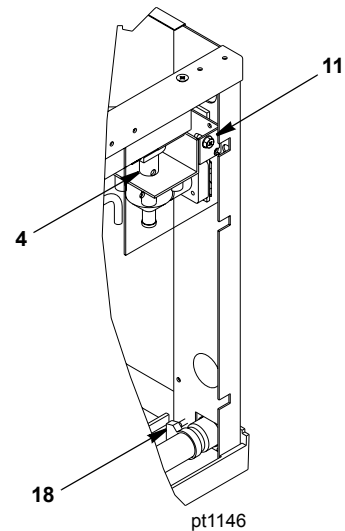
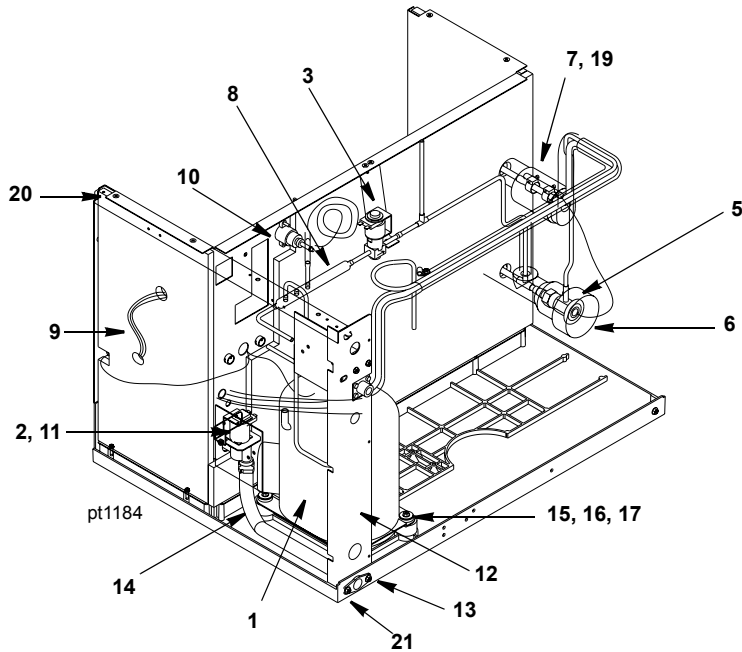
|    | DESCRIPTION   | PART NO.    |
|----|---|-------------|
| 1  | Evaporator Assembly   |             |
| a. | Regular Cube  | † 76-2512-9 |
| b. | Dice Cube   | † 76-2511-9 |
| c. | Half Dice Cube  | † 76-2510-9 |
| 2  | <b>Water Pump</b>   |             |
| a. | 115V/60 Hz  | † 76-2306-3 |
| b. | 208-230V/60 Hz or 230V/50 Hz                                  | † 76-2601-3 |
| 3  | Water Level Probe   | 25-1129-3   |
| 4  | Ice Thickness Control Probe                                   | † 76-2781-3 |
| 5  | Magnetic Bin Switch (Mounted to Evaporator)                   | † 23-0148-3 |
| 6  | Water Flow Clamp – Use on Regular Cube Evap. Only (Not shown) | 76-2054-3   |
| 7  | Water Curtain   | † 43-0464-3 |
| 8  | Water Distribution Tube                                       | † 76-2498-3 |
| 9  | Water Trough Drain Plug                                       | † 43-0062-9 |
| 10 | Water Inlet Flow Tube   | 43-0388-3   |

### Miscellaneous – Brackets, Screws, etc.

|    |   |             |
|----|---|-------------|
| 11 | Water Curtain Magnet with Attachment Clip                 | † 76-2802-3 |
| 12 | Water Inlet Tubing .375 ID                                | 44-2111-3   |
| 13 | Tubing (Water Pump Out)                                   | 44-2109-3   |
| 14 | Screw, #8-32 x .63 Nylon Water Distribution Tube Mounting | † 50-0001-3 |
| 15 | Screw, #10-24 x .50                                       | † 52-0206-9 |
| 16 | Screw, #10-24 x .750 Used to Mount Evaporator             | † 52-0218-9 |
| 17 | Base and Water Trough Repair Kit                          | † 76-2806-3 |
| 18 | Evaporator Top Molding and Gasket Assembly                | 76-2621-3   |
| 19 | Water Curtain Pin Assembly                                | 76-2776-3   |

† Refer to Cross Reference Guide

## Q450 REFRIGERATION COMPARTMENT – COMMON PARTS

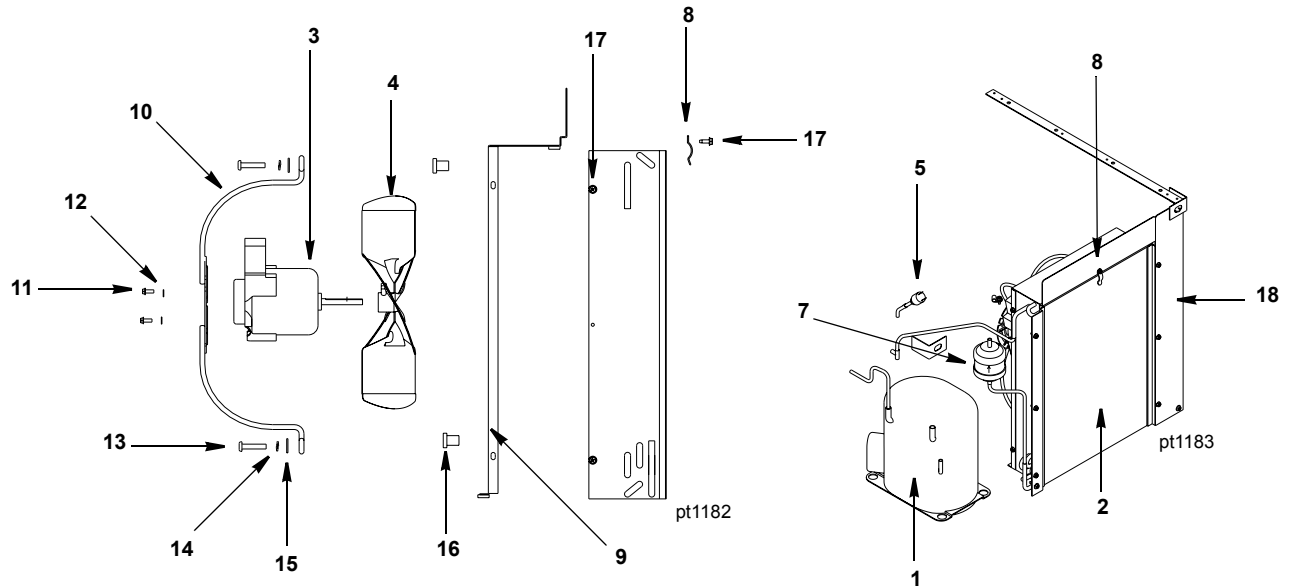


### DESCRIPTION

| DESCRIPTION  | PART NO.    |
|--|-------------|
| <b>1 Compressor</b>  |             |
| a. 115V/60 Hz/1 Ph. ....   | † 76-2810-3 |
| b. Overload .....  | 85-0555-3   |
| c. 208/230V/60 Hz/1 Ph . . . . .   | † 76-2812-3 |
| d. Overload .....  | 85-0556-3   |
| e. 230V/50 Hz/1 Ph . . . . .   | † 76-2811-3 |
| f. Overload .....  | 85-0557-3   |
| <b>2 Water Dump Valve</b>  |             |
| a. Dump Valve Assembly without Electrical Coil. . . . .                          | † 24-0520-3 |
| b. Dump Valve Coil Only, 115V. . . . .   | 24-0521-3   |
| c. Dump Valve Coil Only, 208/230V 50/60 Hz . . . . .                             | 24-0522-3   |
| d. Dump Valve Rebuild Kit . . . . .  | 24-0501-3   |
| <b>3 Hot Gas Valve</b>   |             |
| a. Hot Gas Valve Including 115V 60 Hz Electrical Coil (Danfoss) . . . . .        | † 76-3001-1 |
| b. Hot Gas Valve 115V Coil Only Danfoss . . . . .                                | 20-0176-3   |
| c. Hot Gas Valve 115V Coil Only Alco . . . . .                                   | 24-0436-3   |
| d. Hot Gas Valve Including 208/230V 50/60 Hz Electrical Coil (Danfoss) . . . . . | † 76-3007-1 |
| e. Hot Gas Valve 208/230V 50/60 Hz Coil Only Danfoss . . . . .                   | 20-0177-3   |
| f. Hot Gas Valve 208/230V 50/60 Hz Coil Only Alco . . . . .                      | † 24-0448-3 |
| <b>4 Water Inlet Valve</b>   |             |
| a. Water Inlet Valve Including 115V Coil. . . . .                                | † 76-0112-3 |
| b. Water Inlet Valve Including 208/230V 50/60 Hz Coil . . . . .                  | † 76-0113-3 |
| <b>5 Expansion Valve</b> . . . . .   | † 76-0019-3 |
| <b>6 Expansion Valve Body Insulation Boot</b>                                    |             |
| a. Alco. . . . .   | 40-0721-3   |
| b. Danfoss . . . . .   | 40-0036-3   |
| <b>7 Expansion Valve Bulb Insulation Boot</b> . . . . .                          | 40-0720-3   |
| <b>8 Manifold Strainer (in front of hot gas valve)</b> . . . . .                 | 83-1016-3   |
| <b>9 Water Pump Electrical Wire Lead</b> . . . . .                               | † 20-7810-3 |
| <b>10 High Pressure Cut-out (Manual Reset)</b> . . . . .                         | † 23-5536-9 |
| <b>10 High Pressure Cut-out (Auto Reset)</b> . . . . .                           | † 20-0124-3 |
| <b>Miscellaneous – Brackets, Screws, etc.</b>                                    |             |
| <b>11 Dump Valve/Water Inlet Valve Mounting Bracket</b> . . . . .                | 602354-1    |
| <b>12 Right Corner Post Weldment</b> . . . . .                                   | 601950-1    |
| <b>13 Water Drain Female Wing Adapter</b> . . . . .                              | 87-0608-3   |
| <b>14 Water Drain Vinyl Tubing, .625 ID</b> . . . . .                            | † 44-2038-3 |
| <b>15 Compressor Mounting Rubber Grommet</b> . . . . .                           | † 85-0306-9 |
| <b>16 Compressor Mounting Washer</b> . . . . .                                   | † 55-7341-9 |
| <b>17 Compressor Mounting Screw</b> . . . . .                                    | † 50-1230-9 |
| <b>18 Clamp, Water Drain</b> . . . . .   | † 56-5070-9 |
| <b>19 Clamp, Expansion Valve Bulb</b> . . . . .                                  | † 56-5052-9 |
| <b>20 Screw, #10-24 x .50</b> . . . . .  | † 52-0209-9 |
| <b>21 Screw, #10-24 x .75</b> . . . . .  | † 52-0218-9 |
| <b>22 Mounting Bracket</b> . . . . .   | 602354-1    |
| <b>23 Terminal Block (50 Hz Only)</b> . . . . .                                  | 20-0614-3   |

† Refer to Cross Reference Guide

## Q450 REFRIGERATION COMPARTMENT – AIR-COOLED



### DESCRIPTION

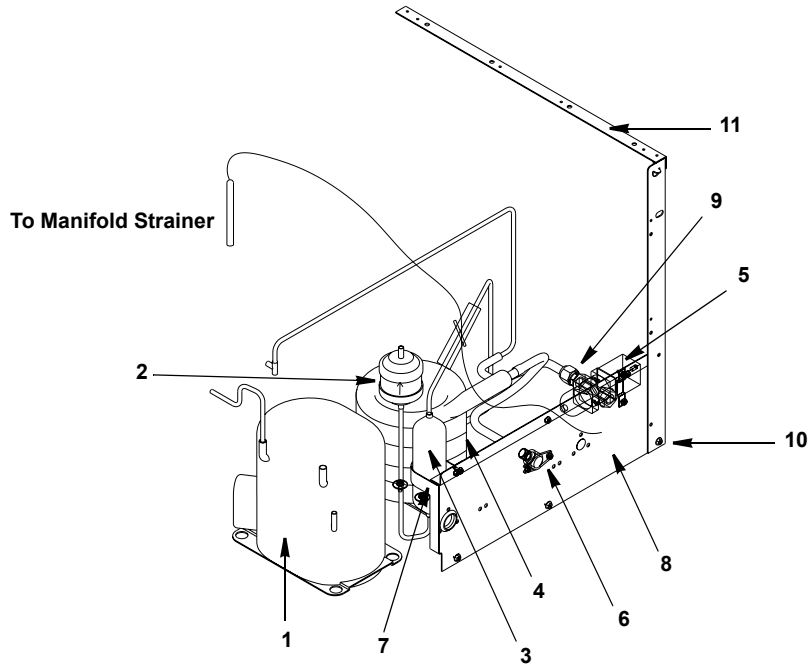
|   |   | PART NO.    |
|---|---|-------------|
| 1 | Compressor (Refer to COMMON PARTS Page) . . . . . | Page 4      |
| 2 | Air Condenser . . . . .                           | 88-5124-3   |
| 3 | Fan Motor . . . . .                               |             |
|   | a. 115V . . . . .                                 | † 24-1292-9 |
|   | b. 208-230V/60 Hz or 230V/50 Hz . . . . .         | † 24-1293-9 |
| 4 | Fan Blade . . . . .                               | 24-1620-3   |
| 5 | Fan Cycling Control . . . . .                     | † 20-0126-3 |
| 6 | Air Filter (Not shown) . . . . .                  | 40-4016-3   |
| 7 | Drier . . . . .                                   | † 89-3025-9 |

### Miscellaneous – Brackets, Screws, etc.

|    |   |             |
|----|---|-------------|
| 8  | Air Filter Clip . . . . .                     | † 56-5069-9 |
| 9  | Fan Shroud . . . . .                          | 601879-1    |
| 10 | Fan Motor Mounting Bracket . . . . .          | 34-0662-3   |
| 11 | Fan Motor Mounting Screw . . . . .            | † 50-2559-9 |
| 12 | Fan Motor Mounting Flatwasher . . . . .       | † 55-0426-9 |
| 13 | Fan Bracket Mounting Screw . . . . .          | † 50-3358-9 |
| 14 | Fan Bracket Mounting Lockwasher . . . . .     | † 55-4510-9 |
| 15 | Fan Bracket Mounting Flatwasher . . . . .     | † 55-7305-9 |
| 16 | Fan Bracket Mounting Rubber Wellnut . . . . . | † 54-2955-9 |
| 17 | Screw, #10-24 x .50 . . . . .                 | † 52-0206-9 |
| 18 | Left Corner Post Weldment . . . . .           | 602168-1    |

† Refer to Cross Reference Guide

# Q450 REFRIGERATION COMPARTMENT – WATER-COOLED



pt1181

## DESCRIPTION

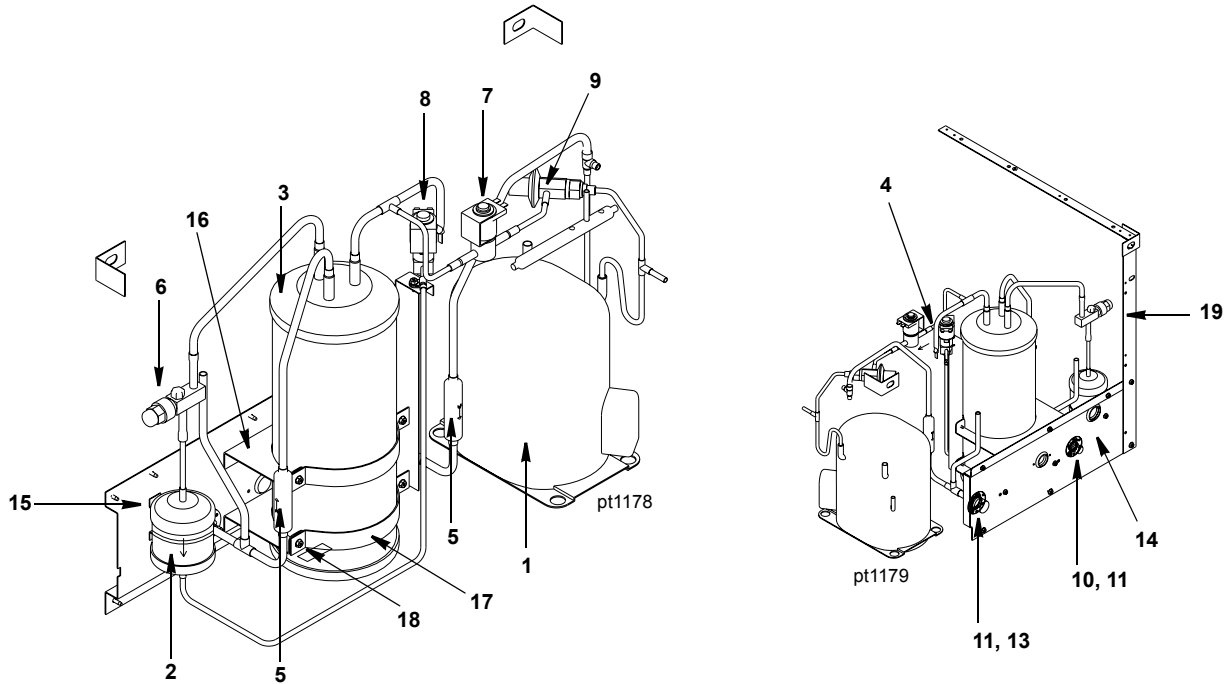
| DESCRIPTION                                     | PART NO.    |
|---|-------------|
| 1 Compressor (Refer to COMMON PARTS Page) ..... | Page 4      |
| 2 Drier .....                                   | † 89-3025-9 |
| 3 Receiver .....                                | 12-0003-1   |
| 4 Water-cooled Condenser .....                  | 88-6532-7   |
| 5 Water Regulating Valve .....                  | † 83-7206-9 |
| 6 Water Drain Female Wing Adapter .....         | 87-0608-3   |

## Miscellaneous – Brackets, Screws, etc.

|                                    |             |
|------------------------------------|-------------|
| 7 Receiver Strap .....             | 600054-1    |
| 8 Back Panel .....                 | 601906-1    |
| 9 Water Coupling .....             | 83-3203-3   |
| 10 Screw, #10-24 x .50 .....       | † 52-0206-9 |
| 11 Left Corner Post Weldment ..... | 601951-1    |

† Refer to Cross Reference Guide

## Q450 REFRIGERATION COMPARTMENT – REMOTE



### DESCRIPTION

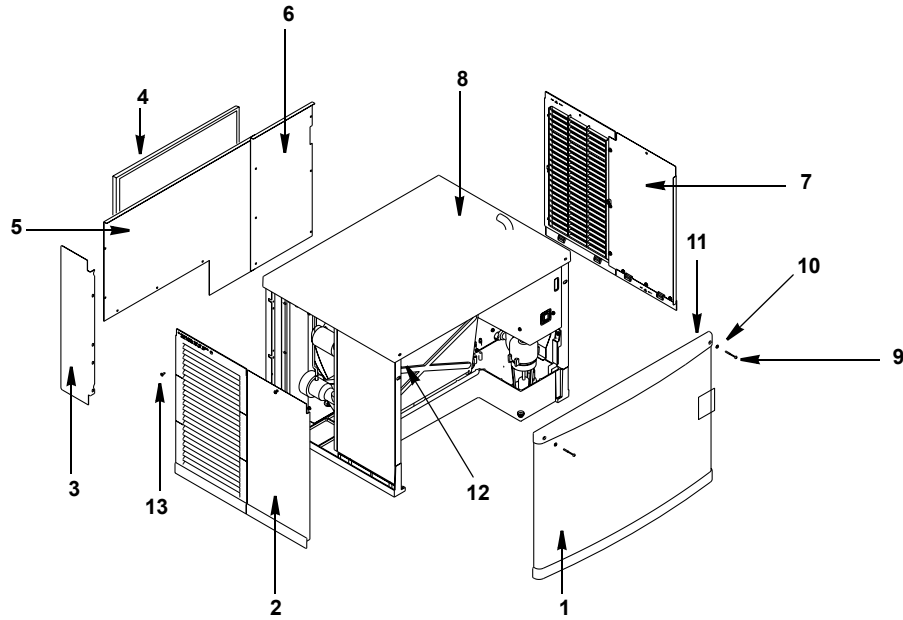
| DESCRIPTION   | PART NO.    |
|---|-------------|
| 1 Compressor (Refer to COMMON Parts) .....                        | Page 4      |
| 2 Drier .....   | † 89-3027-9 |
| 3 Receiver .....  | † 76-2957-3 |
| 4 Safety Soft Plug .....  | † 628451-9  |
| 5 Magni-Check Valve .....   | † 83-7314-9 |
| 6 Refrigeration Service Valve .....                               | † 83-7316-9 |
| a. Cap for Refrigeration Service Valve .....                      | 56-5075-3   |
| 7 <b>Harvest Pressure Regulating Solenoid (HPR) Valve</b>         |             |
| a. HPR Valve Including 115V 60 Hz Electrical Coil (Danfoss) ..... | † 76-3000-1 |
| b. HPR Valve 115V Coil Only Danfoss .....                         | 20-0176-3   |
| c. HPR Valve 115V Coil Only Alco .....                            | 24-0436-3   |
| 8 Liquid Line Solenoid (LLS) Valve                                |             |
| a. LLS Valve Including 115V 60 Hz Electrical Coil (Danfoss) ..... | † 76-3002-1 |
| b. LLS Valve 115V Coil Only Danfoss .....                         | 20-0176-3   |
| c. LLS Valve 115V Coil Only Alco .....                            | 24-0436-3   |
| 9 Harvest Pressure Regulating Valve (HPR) .....                   | † 83-6779-3 |
| 10 Coupling – Male, 5/8-18 .....                                  | † 83-6034-3 |
| 11 Coupling – Male, 1-1/16-12 .....                               | † 83-6035-3 |

### Miscellaneous – Brackets, Screws, etc.

|   |             |
|---|-------------|
| 12 Coupling Mounting Flange (for 5/8-18) .....    | 83-6005-3   |
| 13 Coupling Mounting Flange (for 1-1/16-12) ..... | 83-6006-3   |
| 14 Back Panel .....                               | 601906-1    |
| 15 Drier Support Bracket .....                    | 601737-1    |
| 16 Receiver Mounting Bracket .....                | 600056-1    |
| 17 Receiver Mounting Strap .....                  | 630721-4    |
| 18 Screw, #10-24 x .50 .....                      | † 52-0206-9 |
| 19 Left Corner Post Weldment .....                | 601951-1    |

† Refer to Cross Reference Guide

## Q450 PANELS



pt1177

### DESCRIPTION

| DESCRIPTION                             | PART NO.    |
|---|-------------|
| 1 Front Panel Assembly . . . . .        | 76-2853-3   |
| 2 Left Side Panel . . . . .             | † 76-2830-3 |
| 3 Air Baffle . . . . .                  | 602363-1    |
| 4 Air Filter . . . . .                  | 40-4016-3   |
| 5 Back Panel, Water or Remote . . . . . | 601998-1    |
| 6 Back Panel, Air . . . . .             | 601997-1    |
| 7 Right Side Panel . . . . .            | † 76-2831-3 |
| 8 Top Cover . . . . .                   | 43-0331-3   |

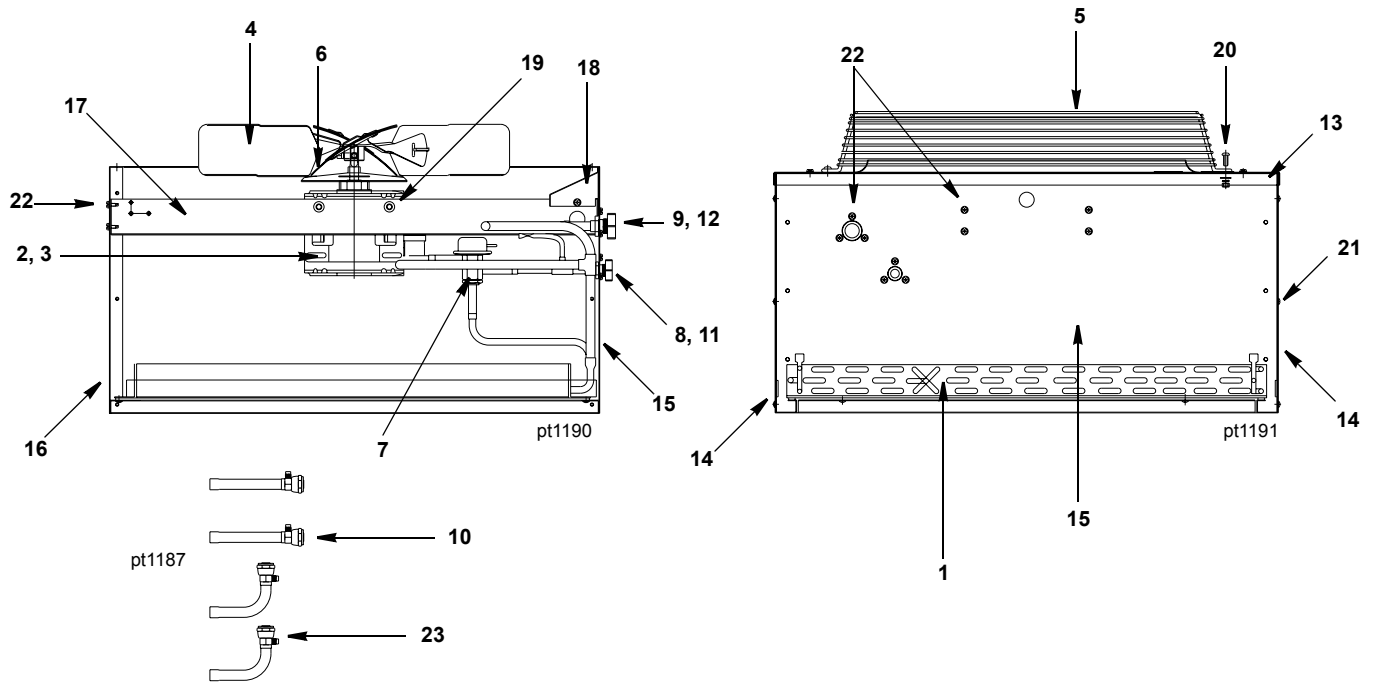
### Miscellaneous – Brackets, Screws, etc.

|  |             |
|--|-------------|
| 9 Front Cover Screw . . . . .                        | † 51-1901-9 |
| 10 Front Cover Washer . . . . .                      | † 55-7338-9 |
| 11 Front Cover Screw Retainer . . . . .              | † 56-4827-9 |
| 12 Speed Nut Assembly to Mount Front Cover . . . . . | † 54-7303-9 |
| 13 Screw, #10-24 x .50 Flat . . . . .                | † 52-0209-9 |
| 14 Extruded Tape (Not shown) . . . . .               | † 92-0250-9 |
| 15 Front Top Support (Not shown) . . . . .           | † 658041-9  |

**NOTE:** Items 9, 10, 11 and 12 can be ordered as assembly 76-2898-3.



## JC0495 REMOTE CONDENSER (USED WITH Q450 ICE MACHINE)



### DESCRIPTION

|  | <b>PART NO.</b> |
|--|-----------------|
| 1 Air Condenser . . . . .  | † 88-5063-9     |
| 2 Fan Motor (115V/60 Hz/1 Ph) . . . . .                                      | † 76-2942-3     |
| 3 Fan Motor Run Capacitor . . . . .  | 85-0352-3       |
| 4 Fan Blade . . . . .  | 24-1611-3       |
| 5 Fan Guard . . . . .  | 34-0064-3       |
| 6 Rain Slinger . . . . .   | 24-1505-3       |
| 7 Head Pressure Control . . . . .  | 83-6809-3       |
| 8 Coupling – Male, 5/8-18 . . . . .  | † 83-6034-3     |
| 9 Coupling – Male, 1-1/6-12 . . . . .  | † 83-6035-3     |
| 10 Female Line Set Coupling Kit (Sold as Finished Goods Sales Kit) . . . . . | Sales K0129     |

### Miscellaneous – Brackets, Screws, etc.

|   |             |
|---|-------------|
| 11 Coupling Mounting Flange (for 5/8-18) . . . . .            | 83-6005-3   |
| 12 Coupling Mounting Flange (for 1-1/16-12) . . . . .         | 83-6006-3   |
| 13 Top Cover . . . . .  | † 601775-1  |
| 14 Panel – Side . . . . .                                     | † 601774-1  |
| 15 Panel – Rear . . . . .                                     | † 601773-1  |
| 16 Panel – Front . . . . .                                    | † 601772-1  |
| 17 Fan Motor Mounting Bracket . . . . .                       | † 601768-1  |
| 18 Electrical Box Cover . . . . .                             | † 601776-1  |
| 19 <b>Fan Motor Mounting Screw (5/16-18 x 5/8)</b> . . . . .  | † 50-3565-9 |
| a. Fan Motor Mounting Flatwasher . . . . .                    | † 55-7309-9 |
| b. Fan Motor Mounting Lockwasher . . . . .                    | † 55-7313-9 |
| c. Fan Motor Mounting Hexnut . . . . .                        | 54-2975-9   |
| 20 <b>Fan Guard Mounting Screw (1/4-20 x 5/8)</b> . . . . .   | † 50-3345-9 |
| a. Fan Guard Mounting Flatwasher . . . . .                    | † 55-7304-9 |
| b. Fan Guard Mounting Lockwasher . . . . .                    | † 55-4511-9 |
| c. Fan Guard Mounting Hexnut . . . . .                        | † 54-2952-9 |
| 21 <b>Panel/Condenser Mounting Screw (#8 x 1/2)</b> . . . . . | † 51-2153-9 |
| a. Panel/Condenser Mounting Lockwasher . . . . .              | † 55-4459-9 |
| 22 Screw (#10-24 x 1/2) . . . . .                             | † 52-0206-9 |
| 23 Valve Cores (used in linesets) . . . . .                   | 76-2684-3   |
| 24 Legs (Not shown) . . . . .                                 | † 601769-1  |

† Refer to Cross Reference Guide

**INTENTIONALLY LEFT BLANK**