



Ice Machine Parts List for Series Q1000 Models

QR1000A

QD1092N

QR1001W

QY1004A

QR1090N

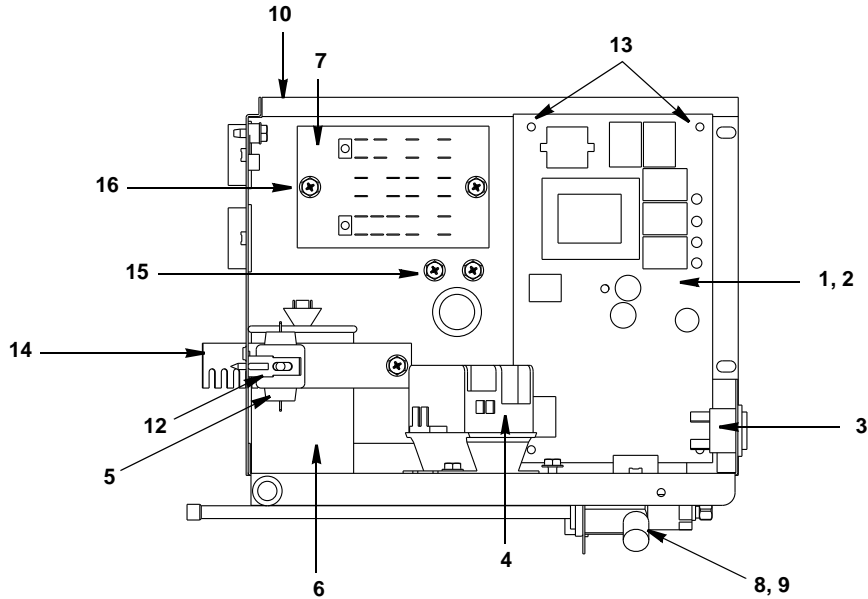
QY1005W

QD1002A

QY1094N

QD1003W

Q1000 CONTROL BOX



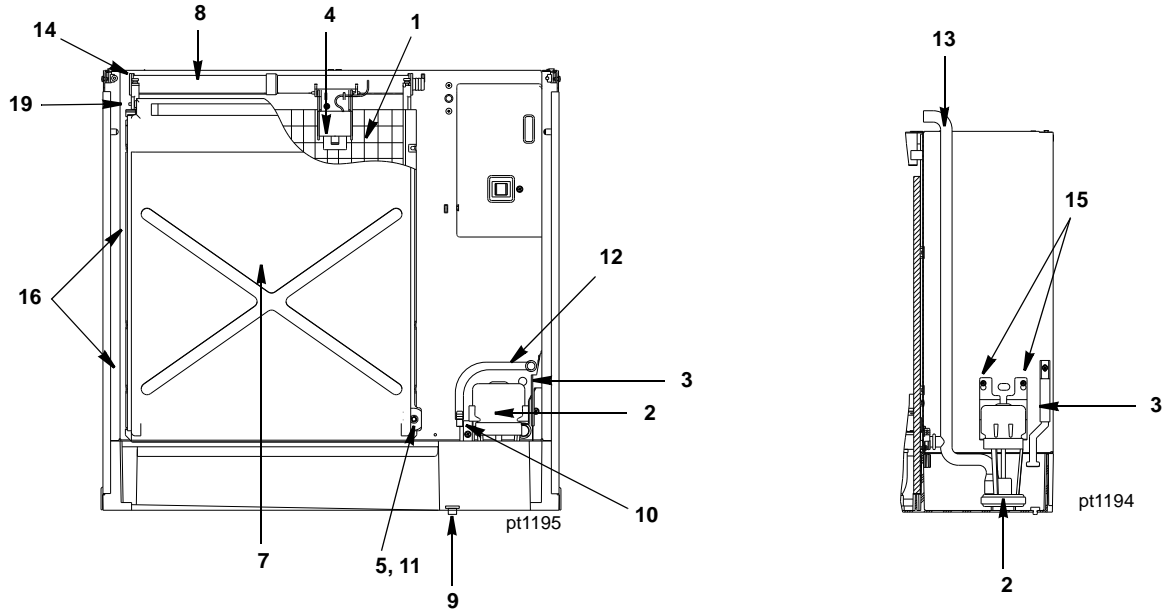
pt1176

DESCRIPTION

DESCRIPTION	PART NO.
1 Control Board (for use with all voltages)	† 76-2782-3
2 7 Amp Fuse – Mounted on Control Board	25-1100-3
3 Toggle Switch Only	23-0134-3
a. Toggle Switch with Wiring Harness Attached	20-3217-3
4 Contactor	
a. 208-230V/60 Hz/1 Ph or 230V/50 Hz/1 Ph	† 20-0659-9
b. 208-230V/60 Hz/3 Ph	† 20-0116-3
5 P.T.C.R. Compressor Starter.	85-0499-3
6 Compressor Run Capacitor	
a. Used with Compressor P/N 76-2818-3 (208-230V/60 Hz/1 Ph)	† 20-1013-3
b. Used with Compressor P/N 76-2820-3 (230V/50 Hz/1 Ph)	000001395
7 Terminal Board with Wire Harness Attached	
a. 208-230V/60 Hz/1 Ph	20-3229-3
b. 208-230V/60 Hz/3 Ph	20-3231-3
c. 230V/50 Hz/1 Ph	20-3230-3
8 Refrigeration Service Valve Assembly	83-7326-3
Miscellaneous – Brackets, Screws, etc.	
9 Locknut Used to Mount Refrigeration Service Valves.	† 54-7503-9
10 Control Box	602559-3
11 Control Box Cover (Not shown)	† 76-2852-3
12 P.T.C.R. Compressor Starter Mounting Bracket	85-0501-3
13 Control Board Mounting Supports	43-0225-3
14 Capacitor Mounting Strap	602495-1
15 Screw, #10-24 x .50 Ground	† 52-0216-9
16 Screw, #10-24 x .50	† 52-0206-9

† Refer to Cross Reference Guide

Q1000 EVAPORATOR COMPARTMENT



DESCRIPTION

1 Evaporator Assembly

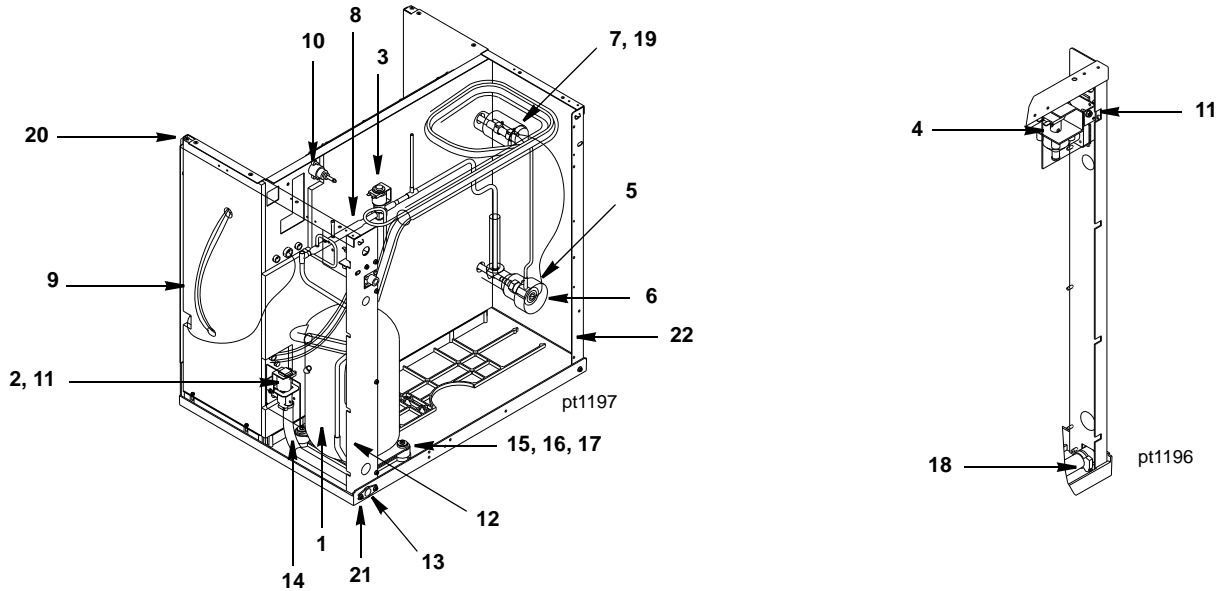
	PART NO.
a. Regular Cube	† 76-2501-9
b. Dice Cube	† 76-2502-9
c. Half Dice Cube	† 76-2503-9
2 Water Pump (208-230V/50-60 Hz)	† 14-8027-9
3 Water Level Probe	25-1129-3
4 Ice Thickness Control Probe	† 76-2781-3
5 Magnetic Bin Switch (Mounted to Evaporator)	† 23-0148-3
6 Water Flow Clamp – Use on Regular Cube Evap. Only (Not shown)	76-2054-3
7 Water Curtain	† 40-0473-3
8 Water Distribution Tube	† 76-2498-3
9 Water Trough Drain Plug	† 43-0062-9
10 Water Inlet Flow Tube	43-0388-3

Miscellaneous – Brackets, Screws, etc.

11 Water Curtain Magnet with Attachment Clip	† 76-2802-3
12 Water Inlet Tubing .375 ID	44-2124-3
13 Tubing (Water Pump Out)	44-2115-3
14 Screw, #8-32 x .63 Nylon Water Distribution Tube Mounting	† 50-0001-3
15 Screw, #10-24 x .50	† 52-0206-9
16 Screw, #10-24 x .750 Used to Mount Evaporator	† 52-0218-9
17 Base and Water Trough Repair Kit (Not shown)	† 76-2806-3
18 Evaporator Top Molding and Gasket Assembly (Not shown)	76-2621-3
19 Water Curtain Pin Assembly	76-2776-3

† Refer to Cross Reference Guide

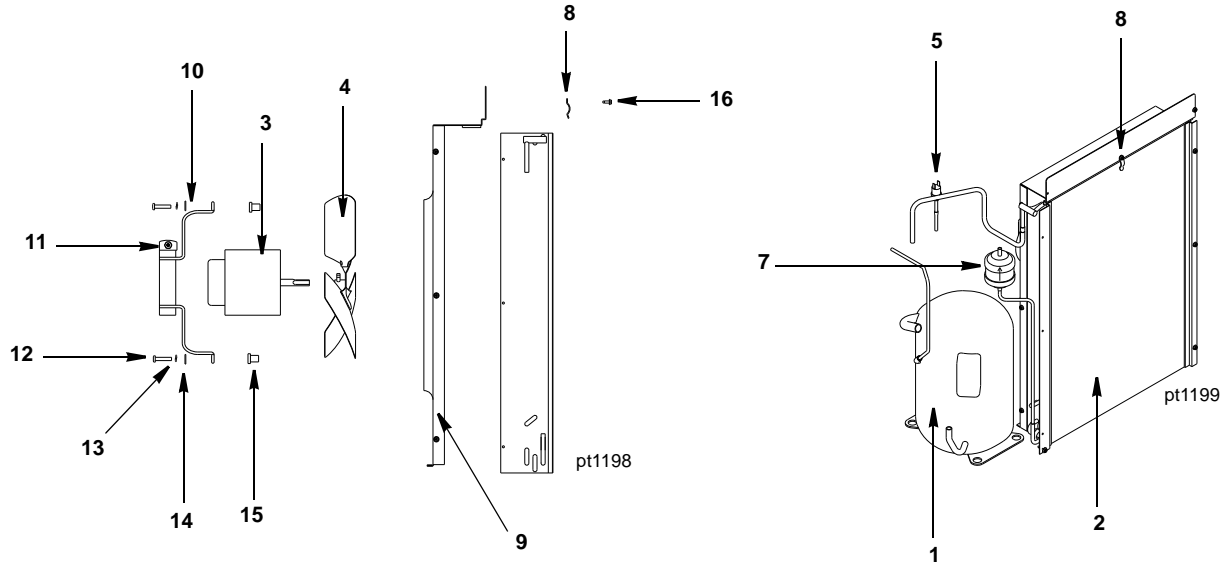
Q1000 REFRIGERATION COMPARTMENT – COMMON PARTS



DESCRIPTION		PART NO.
1 Compressor		
a. 208-230V/60 Hz/1 Ph		† 76-2818-3
b. 208-230V/60 Hz/3 Ph		† 76-2819-3
c. 230V/50 Hz/1 Ph		† 76-2820-3
2 Water Dump Valve		
a. Dump Valve, 208-230V/50-60 Hz		000001768
b. Dump Valve Rebuild Kit.		No Longer Available
3 Hot Gas Valve		
a. Hot Gas Valve Including 208/230V 50/60 Hz Electrical Coil Alco		† 24-0495-3
b. Hot Gas Valve 208/230V 50/60 Hz Coil Only Alco		† 24-0448-3
4 Water Inlet Valve		
a. Water Inlet Valve Including 208-230V/50-60 Hz Coil.		76-0113-3
5 Expansion Valve		† 76-0022-3
6 Expansion Valve Body Insulation Boot		
a. Alco		40-0721-3
b. Danfoss		40-0036-3
7 Expansion Valve Bulb Insulation Boot		40-0720-3
8 Manifold Strainer - 3 Hole (in front of hot gas valve).		83-1015-3
a. Manifold Strainer - 4 Hole (in front of hot gas valve)		82-5096-3
9 Water Pump Electrical Wire Lead.		† 20-7810-3
10 High Pressure Cut-out (Manual Reset).		† 23-5536-9
10 High Pressure Cut-out (Auto Reset).		† 20-0124-3
Miscellaneous – Brackets, Screws, etc.		
11 Dump Valve/Water Inlet Valve Mounting Bracket		602354-1
12 Right Corner Post Weldment		602204-1
13 Water Drain Female Wing Adapter.		87-0608-3
14 Water Drain Vinyl Tubing, .625 ID.		† 44-2038-3
15 Compressor Mounting Rubber Grommet		† 85-0306-9
16 Compressor Mounting Washer.		† 55-7341-9
17 Compressor Mounting Screw		† 50-1230-9
18 Clamp, Water Drain		† 56-5070-9
19 Clamp, Expansion Valve Bulb.		† 56-5052-9
20 Screw, #10-24 x .50		† 52-0209-9
21 Screw, #10-24 x .75		† 52-0218-9
22 Left Corner Post Weldment.		602205-1
23 Terminal Block (50 Hz only)		20-0614-3

† Refer to Cross Reference Guide

Q1000 REFRIGERATION COMPARTMENT – AIR-COOLED



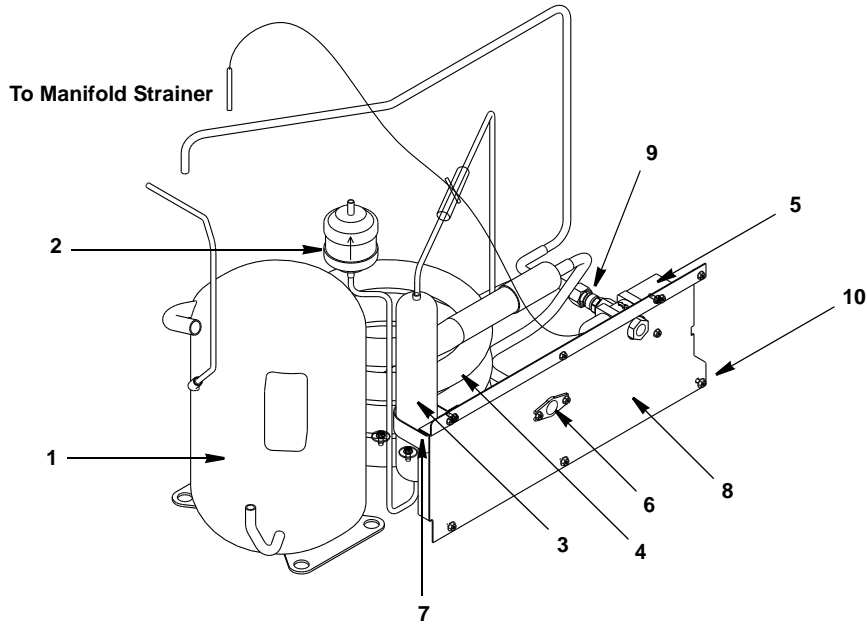
DESCRIPTION

	PART NO.
1 Compressor (Refer to COMMON PARTS Page)	Page 4
2 Air Condenser	† 82-5115-3
3 Fan Motor (208-230V/60 Hz or 230V/50 Hz)	† 76-2672-3
4 Fan Blade	24-1612-3
5 Fan Cycling Control	† 20-0127-3
6 Air Filter (Not shown)	40-4021-3
7 Drier	† 89-3025-9

Miscellaneous – Brackets, Screws, etc.

8 Air Filter Clip	† 56-5069-9
9 Fan Shroud	601882-1
10 Fan Motor Mounting Bracket	34-0616-3
11 Fan Motor Mounting Screw	† 50-3358-9
a. Fan Motor Mounting Lockwasher	† 55-4510-9
b. Fan Motor Mounting Hexnut	† 54-2952-9
12 Fan Bracket Mounting Screw	† 50-3358-9
13 Fan Bracket Mounting Lockwasher	† 55-4510-9
14 Fan Bracket Mounting Flatwasher	† 55-7305-9
15 Fan Bracket Mounting Rubber Wellnut	† 54-2955-9
16 Screw, #10-24 x .50	† 52-0206-9

Q1000 REFRIGERATION COMPARTMENT – WATER-COOLED



pt1200

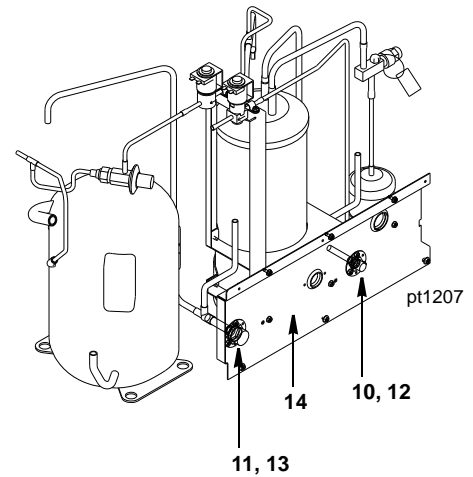
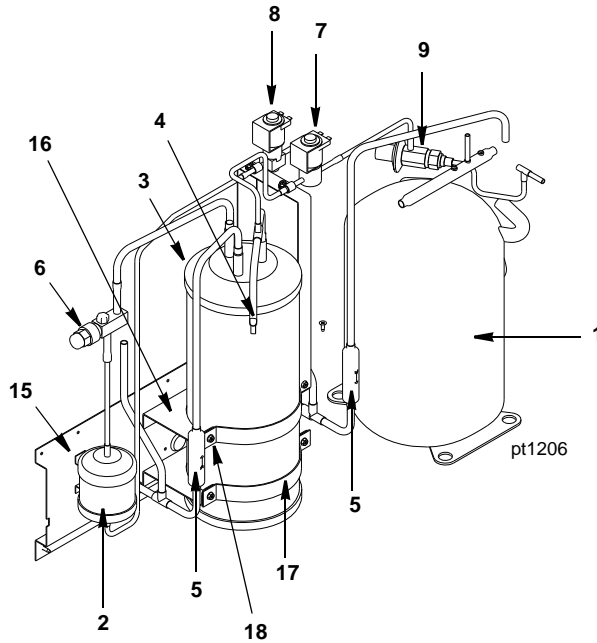
DESCRIPTION

	PART NO.
1 Compressor (Refer to COMMON PARTS Page)	Page 4
2 Drier	† 89-3025-9
3 Receiver	89-0012-3
4 Water-cooled Condenser	† 000001507
5 Water Regulating Valve	† 83-7206-9
6 Water Drain Female Wing Adapter	87-0608-3

Miscellaneous – Brackets, Screws, etc.

7 Receiver Strap	600054-1
8 Back Panel	601906-1
9 Water Coupling	83-3203-3
10 Screw, #10-24 x .75	† 52-0218-9

Q1000 REFRIGERATION COMPARTMENT – REMOTE

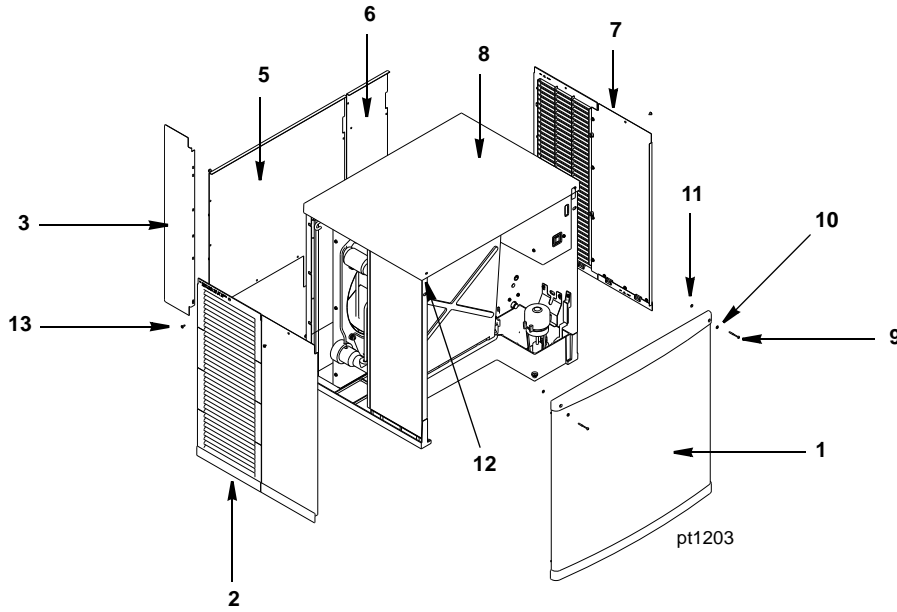


DESCRIPTION

	PART NO.
1 Compressor (Refer to COMMON PARTS)	Page 4
2 Drier	† 89-3027-9
3 Receiver	† 76-2957-3
4 Safety Soft Plug	† 628451-9
5 Magni-Check Valve	† 83-7314-9
6 Refrigeration Service Valve	† 83-7316-9
a. Cap for Refrigeration Service Valve	56-5075-3
7 Harvest Pressure Regulating Solenoid (HPR) Valve	
a. HPR Valve Including 208/230V 50/60 Hz Electrical Coil (Danfoss)	† 76-3006-1
b. HPR Valve 208/230V 50/60 Hz Coil Only Danfoss	000005157
c. HPR Valve 208/230V 50/60 Hz Coil Only Alco	† 24-0448-3
8 Liquid Line Solenoid (LLS) Valve	
a. LLS Valve Including 208/230V 50/60 Hz Electrical Coil (Danfoss)	† 76-3008-1
b. LLS Valve 208/230V 50/60 Hz Coil Only Danfoss	000005157
c. LLS Valve 208/230V 50/60 Hz Coil Only Alco	† 24-0448-3
9 Harvest Pressure Regulating Valve (HPR)	† 83-6779-3
10 Coupling – Male, 5/8-18	† 83-6034-3
11 Coupling – Male, 1-1/6-12	† 83-6035-3
Miscellaneous – Brackets, Screws, etc.	
12 Coupling Mounting Flange for 5/8-18	83-6005-3
13 Coupling Mounting Flange for 1-1/16-12	83-6006-3
14 Back Panel	601906-1
15 Drier Support Bracket	601737-1
16 Receiver Mounting Bracket	600056-1
17 Receiver Mounting Strap	630721-4
18 Screw, #10-24 x .50	† 52-0206-9

† Refer to Cross Reference Guide

Q1000 PANELS



DESCRIPTION

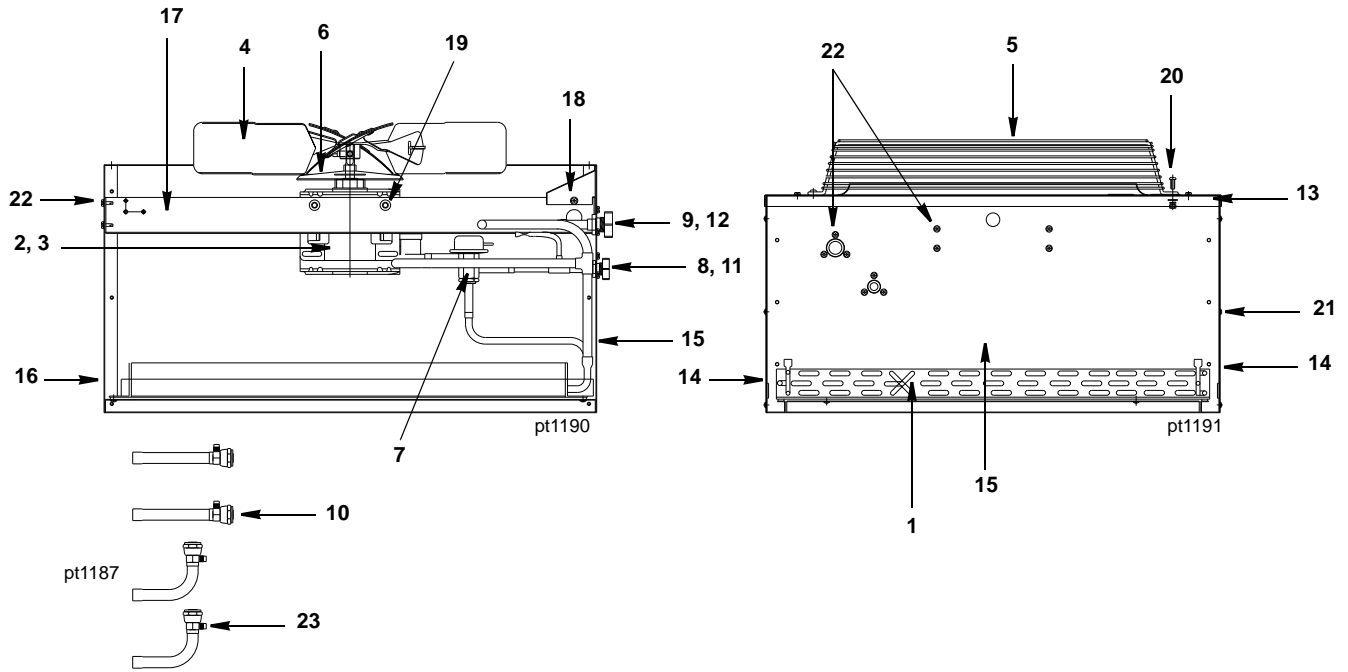
DESCRIPTION	PART NO.
1 Front Panel Assembly	76-0055-3
2 Left Side Panel	† 76-2859-3
3 Air Baffle	602376-1
4 Air Filter (Not shown)	40-4021-3
5 Back Panel, Water or Remote	602498-1
6 Back Panel, Air	602499-1
7 Right Side Panel	† 76-2860-3
8 Top Cover	43-0331-3

Miscellaneous – Brackets, Screws, etc.

9 Front Cover Screw	† 51-1901-9
10 Front Cover Washer	† 55-7338-9
11 Front Cover Screw Retainer	† 56-4827-9
12 Speed Nut Assembly to Mount Front Cover	† 54-7303-9
13 Screw, #10-24 x .50 Flat	† 52-0209-9
14 Extruded Tape (Not shown)	† 92-0250-9
15 Front Top Support (Not shown)	† 658041-9

NOTE: Items 9, 10, 11 and 12 can be ordered as assembly 76-2898-3.

JC1095 REMOTE CONDENSER (USED WITH Q1000 REMOTE ICE MACHINES)



DESCRIPTION

DESCRIPTION	PART NO.
1 Air Condenser	† 88-5089-9
2 Fan Motor (208-230V 50/60 Hz/1 Ph)	† 76-2941-3
3 Fan Motor Run Capacitor (Emerson)	85-0458-3
3 Fan Motor Run Capacitor (Magnatec)	No Longer Available
4 Fan Blade	24-1611-3
5 Fan Guard	34-0064-3
6 Rain Slinger	24-1505-3
7 Head Pressure Control	83-6809-3
8 Coupling – Male, 5/8-18	† 83-6034-3
9 Coupling – Male, 1-1/6-12	† 83-6035-3
10 Female Line Set Coupling Kit (Sold as Finished Goods Sales Kit)	Sales K0129

Miscellaneous – Brackets, Screws, etc.

11 Coupling Mounting Flange (for 5/8-18)	83-6005-3
12 Coupling Mounting Flange (for 1-1/16-12)	83-6006-3
13 Top Cover	† 601775-1
14 Panel – Side	† 601774-1
15 Panel – Rear	† 601773-1
16 Panel – Front	† 601772-1
17 Fan Motor Mounting Bracket	† 601768-1
18 Electrical Box Cover	† 601776-1
19 Fan Motor Mounting Screw (5/16-18 x 5/8)	† 50-3565-9
a. Fan Motor Mounting Flatwasher	† 55-7309-9
b. Fan Motor Mounting Lockwasher	† 55-7313-9
c. Fan Motor Mounting Hexnut	54-2975-9
20 Fan Guard Mounting Screw (1/4-20 x 5/8)	† 50-3345-9
a. Fan Guard Mounting Flatwasher	† 55-7304-9
b. Fan Guard Mounting Lockwasher	† 55-4511-9
c. Fan Guard Mounting Hexnut	† 54-2952-9
21 Panel/Condenser Mounting Screw (#8 x 1/2)	† 51-2153-9
a. Panel/Condenser Mounting Lockwasher	† 55-4459-9
22 Screw (#10-24 x 1/2)	† 52-0206-9
23 Valve Cores (used in linesets)	76-2684-3
24 Legs (Not shown)	† 601769-1

† Refer to Cross Reference Guide

INTENTIONALLY LEFT BLANK