



Ice Machine Parts List for Series Q1300 Models

QR1300A

QD1392N

QR1301W

QY1304A

QR1390N

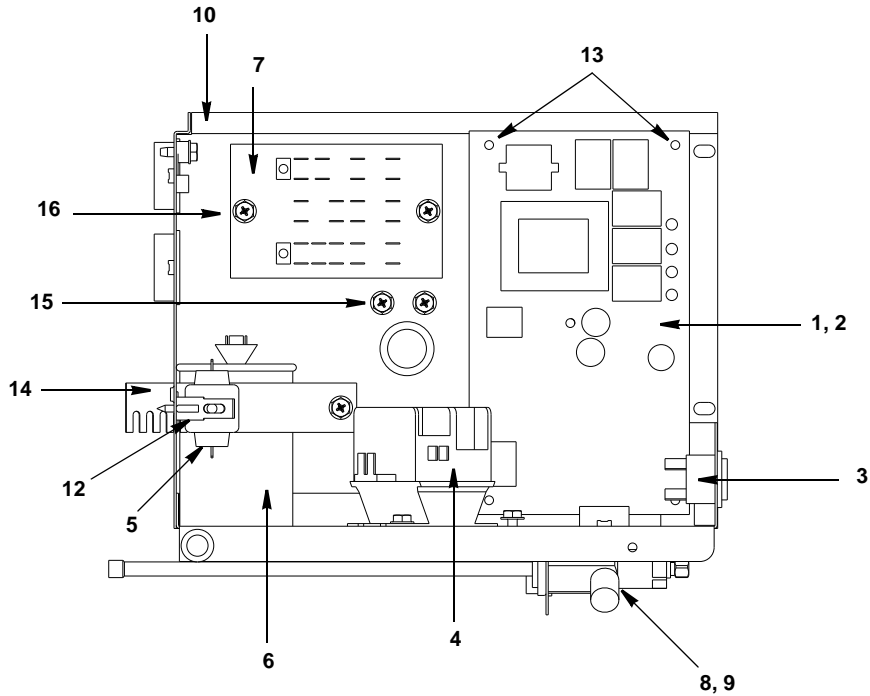
QY1305W

QD1302A

QY1394N

QD1303W

Q1300 CONTROL BOX



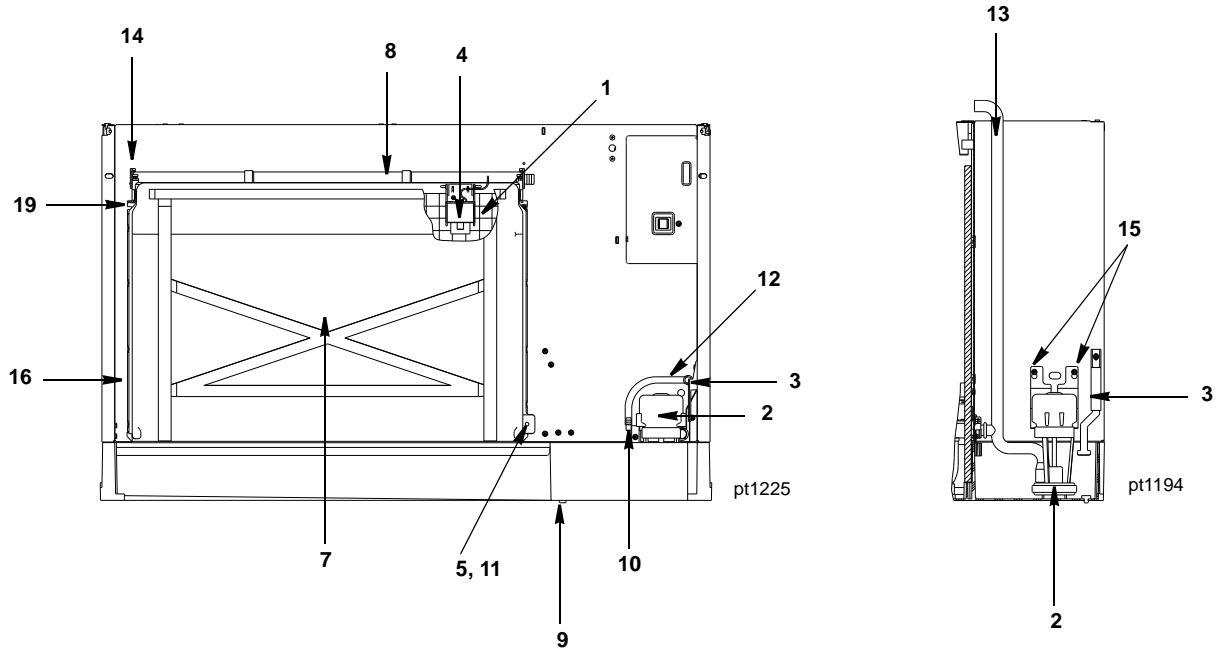
pt1176

DESCRIPTION

| DESCRIPTION | PART NO. |
|---|-------------|
| 1 Control Board (for use with all voltages) | † 76-2782-3 |
| 2 7 Amp Fuse – Mounted on Control Board | 25-1100-3 |
| 3 Toggle Switch Only | 23-0134-3 |
| a. Toggle Switch with Wiring Harness Attached | 20-3217-3 |
| 4 Contactor | |
| a. 208-230V/60 Hz/1 Ph or 230V/50 Hz/1 Ph | 24-1035-3 |
| b. 208-230V/60 Hz/3 Ph | † 20-0116-3 |
| 5 P.T.C.R. Compressor Starter. | 85-0491-3 |
| 6 Compressor Run Capacitor | |
| a. Used with Compressor P/N 76-2687-3 (208-230V/50-60 Hz/1 Ph). | † 000000028 |
| 7 Terminal Board with Wire Harness Attached | |
| a. 208-230V/60 Hz/1 Ph | 20-3241-3 |
| b. 208-230V/60 Hz/3 Ph | 20-3243-3 |
| c. 230V/50 Hz/1 Ph | 20-3242-3 |
| 8 Refrigeration Service Valve Assembly | 83-7324-3 |
| Miscellaneous – Brackets, Screws, etc. | |
| 9 Locknut Used to Mount Refrigeration Service Valves. | † 54-7503-9 |
| 10 Control Box | 602559-3 |
| 11 Control Box Cover (Not shown) | † 76-2852-3 |
| 12 P.T.C.R. Compressor Starter Mounting Bracket | 85-0495-3 |
| 13 Control Board Mounting Supports | 43-0225-3 |
| 14 Capacitor Mounting Strap | 602495-1 |
| 15 Screw, #10-24 x .50 Ground. | † 52-0216-9 |
| 16 Screw, #10-24 x .50 | † 52-0206-9 |

† Refer to Cross Reference Guide

Q1300 EVAPORATOR COMPARTMENT



DESCRIPTION

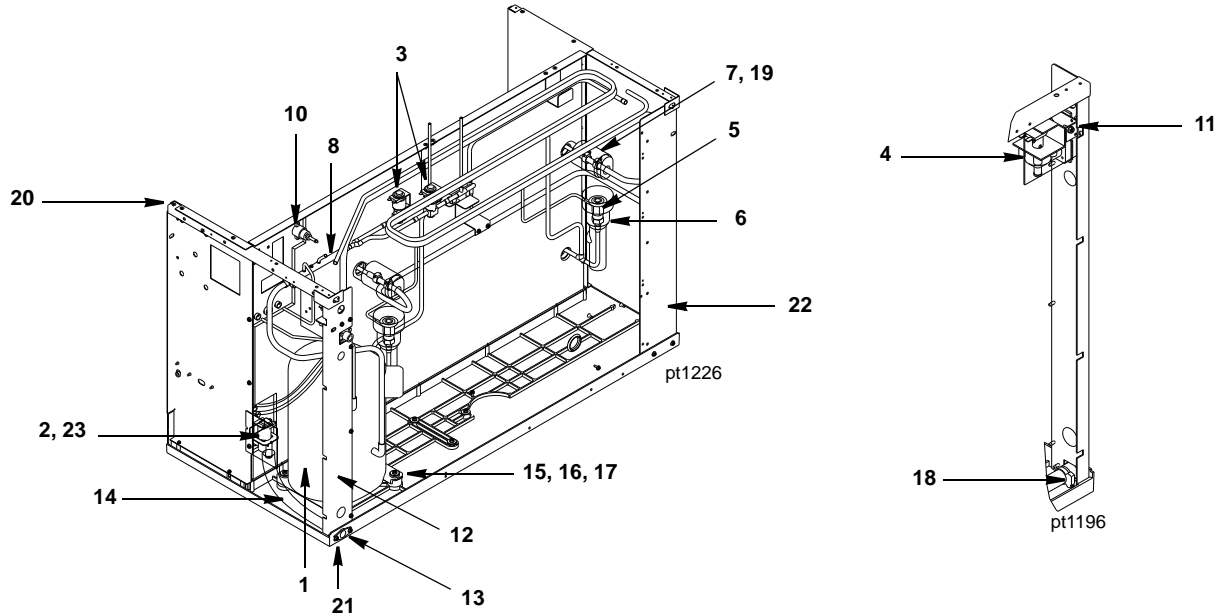
| | | PART NO. |
|----|---|-------------|
| 1 | Evaporator Assembly | |
| | a. Regular Cube | † 76-2693-9 |
| | b. Dice Cube | † 76-2694-9 |
| | c. Half Dice Cube | † 76-2695-9 |
| 2 | Water Pump (208-230V/50-60 Hz) | † 14-8027-9 |
| 3 | Water Level Probe | 25-1129-3 |
| 4 | Ice Thickness Control Probe | † 76-2781-3 |
| 5 | Magnetic Bin Switch (Mounted to Evaporator) | † 23-0148-3 |
| 6 | Water Flow Clamp – Use on Regular Cube Evap. Only (Not shown) | 76-2054-3 |
| 7 | Water Curtain | 40-0475-3 |
| 8 | Water Distribution Tube | 43-0322-3 |
| 9 | Water Trough Drain Plug | † 43-0062-9 |
| 10 | Water Inlet Flow Tube | 43-0388-3 |

Miscellaneous – Brackets, Screws, etc.

| | | |
|----|---|-------------|
| 11 | Water Curtain Magnet with Attachment Clip | † 76-2802-3 |
| 12 | Water Inlet Tubing .375 ID | 44-2131-3 |
| 13 | Tubing (Water Pump Out) | 44-2115-3 |
| 14 | Screw, #8-32 x .63 Nylon Water Distribution Tube Mounting | † 50-0001-3 |
| 15 | Screw, #10-24 x .50 | † 52-0206-9 |
| 16 | Screw, #10-24 x .750 – Used to Mount Evaporator | † 52-0218-9 |
| 17 | Base and Water Trough Repair Kit (Not shown) | † 76-2806-3 |
| 18 | Evaporator Top Molding and Gasket Assembly (Not shown) | 76-2801-3 |
| 19 | Water Curtain Pin Assembly | † 76-2856-3 |

† Refer to Cross Reference Guide

Q1300 REFRIGERATION COMPARTMENT – COMMON PARTS



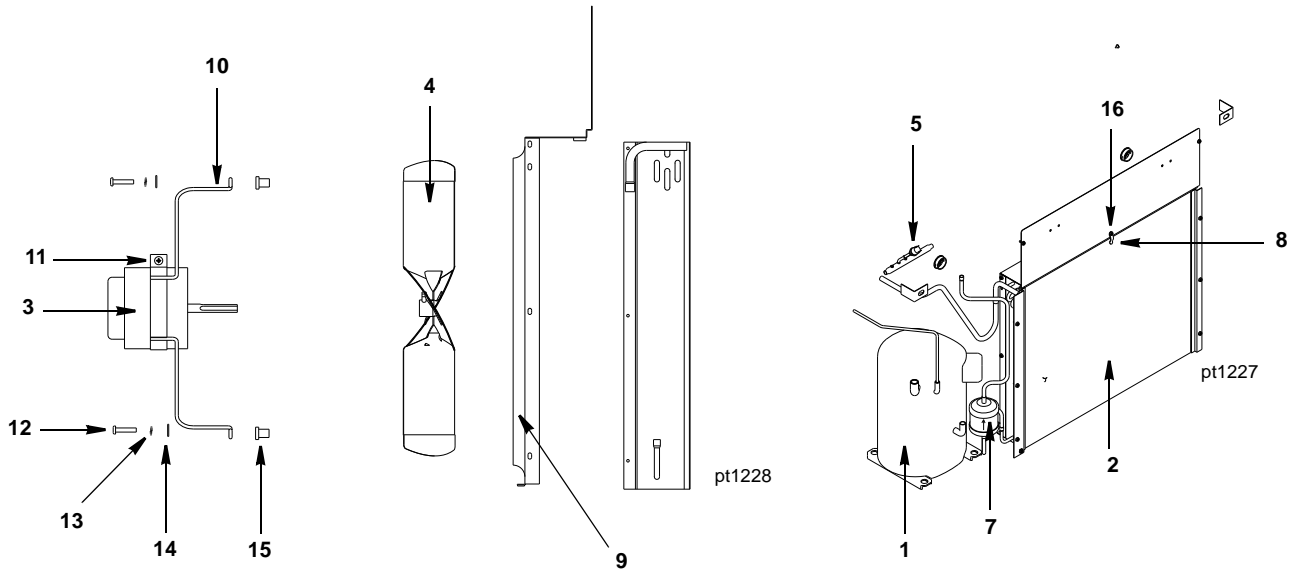
DESCRIPTION

PART NUMBER

| | | |
|----|--|---------------------|
| 1 | Compressor | |
| | a. 208/230V/60 Hz/1 Ph | † 76-2687-3 |
| | b. 208/230V/60 Hz/3 Ph | † 76-2688-3 |
| | c. 230V/50 Hz/1 Ph | † 76-2700-3 |
| | d. 415V/50 Hz/3 Ph (Remote Ice Machines Only) | † 76-2701-3 |
| 2 | Water Dump Valve | |
| | a. Dump Valve, 208/230V 50-60 Hz | 000001768 |
| | b. Dump Valve Rebuild Kit | No Longer Available |
| 3 | Hot Gas Valve | |
| | a. Hot Gas Valve Including 208/230V 50-60 Hz Electrical Coil (Danfoss) | † 76-3010-1 |
| | b. Hot Gas Valve 208/230V 50-60 Hz Coil Only Danfoss | 000005157 |
| | c. Hot Gas Valve 208/230V 50-60 Hz Coil Only Alco | † 24-0448-3 |
| 4 | Water Inlet Valve | |
| | a. Water Inlet Valve Including 208/230V 50/60 Hz Coil | 76-0113-3 |
| 5 | Expansion Valve | † 76-0022-3 |
| 6 | Expansion Valve Body Insulation Boot | |
| | a. Alco | 40-0721-3 |
| | b. Danfoss | 40-0036-3 |
| 7 | Expansion Valve Bulb Insulation Boot | 40-0720-3 |
| 8 | Manifold Strainer (in front of hot gas valve) | 82-5097-3 |
| 9 | Water Pump Electrical Wire Lead (Not shown) | † 20-7810-3 |
| 10 | High Pressure Cut-out (Manual Reset) | † 23-5536-9 |
| 10 | High Pressure Cut-out (Auto Reset) | † 20-0124-3 |
| | Miscellaneous – Brackets, Screws, etc. | |
| 11 | Water Inlet Valve Mounting Bracket | 602354-1 |
| 12 | Right Corner Post Weldment | 602204-1 |
| 13 | Water Drain Female Wing Adapter | 87-0608-3 |
| 14 | Water Drain Vinyl Tubing, .625 ID | † 44-2038-3 |
| 15 | Compressor Mounting Rubber Grommet | † 85-0306-9 |
| 16 | Compressor Mounting Washer | † 55-7341-9 |
| 17 | Compressor Mounting Screw | † 50-1230-9 |
| 18 | Clamp, Water Drain | † 56-5070-9 |
| 19 | Clamp, Expansion Valve Bulb | † 56-5052-9 |
| 20 | Screw, #10-24 x .50 | † 52-0209-9 |
| 21 | Screw, #10-24 x .75 | † 52-0218-9 |
| 22 | Left Corner Post Weldment | 604514-1 |
| 23 | Dump Valve Mounting Bracket | 601597-1 |
| 24 | Terminal Block | 20-0614-3 |

† Refer to Cross Reference Guide

Q1300 REFRIGERATION COMPARTMENT – AIR-COOLED



DESCRIPTION

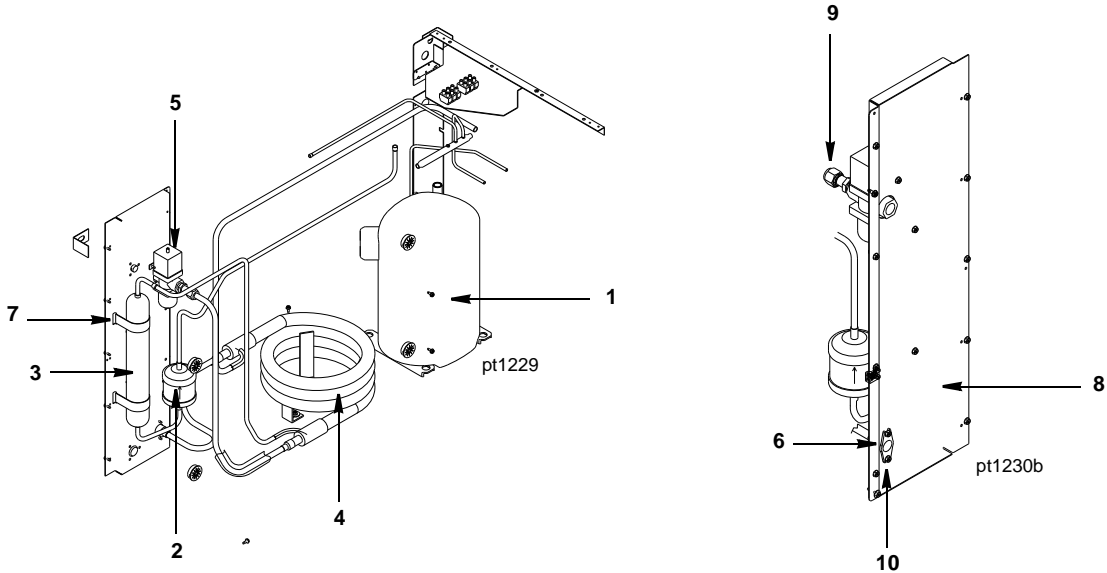
| | PART NO. |
|--|-----------------|
| 1 Compressor (Refer to COMMON PARTS Page) | Page 4 |
| 2 Air Condenser | 88-5128-3 |
| 3 Fan Motor (208-230V/60 Hz or 230V/50 Hz) | † 76-2673-3 |
| 4 Fan Blade | 24-1611-3 |
| 5 Fan Cycling Control | † 20-0127-3 |
| 6 Air Filter (Not shown) | 40-4024-3 |
| 7 Drier | † 89-3027-9 |

Miscellaneous – Brackets, Screws, etc.

| | |
|--|-------------|
| 8 Air Filter Clip | † 56-5069-9 |
| 9 Fan Shroud | † 604518-1 |
| 10 Fan Motor Mounting Bracket | 30-0682-3 |
| 11 Fan Motor Mounting Screw | † 50-3358-9 |
| a. Fan Motor Mounting Lockwasher | † 55-4510-9 |
| b. Fan Motor Mounting Hexnut | † 54-2952-9 |
| 12 Fan Bracket Mounting Screw | † 50-3358-9 |
| 13 Fan Bracket Mounting Lockwasher | † 55-4510-9 |
| 14 Fan Bracket Mounting Flatwasher | † 55-7305-9 |
| 15 Fan Bracket Mounting Rubber Wellnut | † 54-2955-9 |
| 16 Screw, #10-24 x .50 | † 52-0206-9 |

† Refer to Cross Reference Guide

Q1300 REFRIGERATION COMPARTMENT – WATER-COOLED



DESCRIPTION

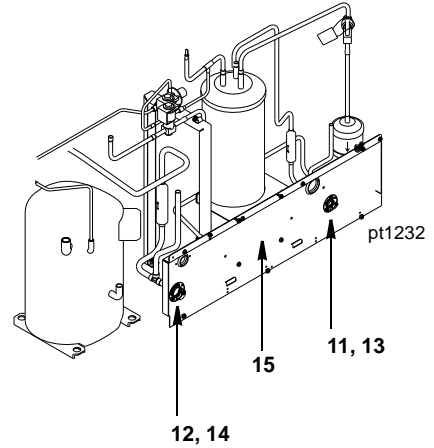
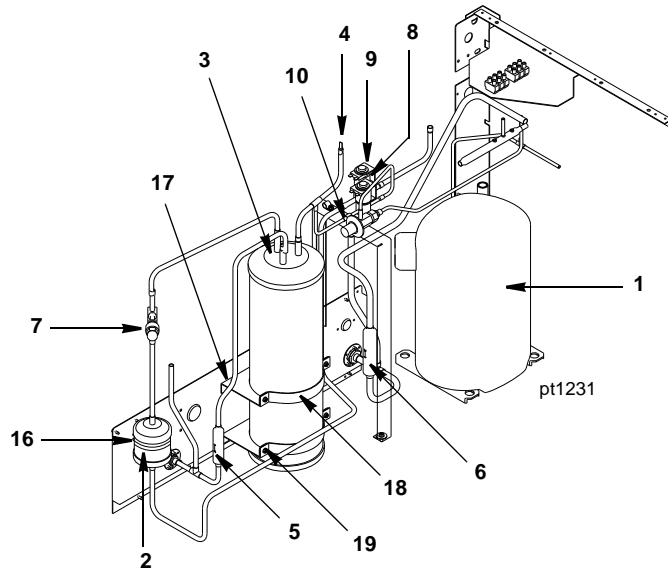
| DESCRIPTION | PART NO. |
|---|-------------|
| 1 Compressor (Refer to COMMON PARTS Page) | Page 4 |
| 2 Drier | 89-3027-9 |
| 3 Receiver | 89-0035-3 |
| 4 Water-Cooled Condenser | † 000001508 |
| 5 Water Regulating Valve | 83-7212-3 |
| 6 Water Drain Female Wing Adapter | 87-0608-3 |

Miscellaneous – Brackets, Screws, etc.

| | |
|------------------------------|-------------|
| 7 Receiver Strap | 600054-1 |
| 8 Back Panel | 601905-1 |
| 9 Water Coupling | 83-3419-3 |
| 10 Screw, #10-24 x .50 | † 52-0206-9 |

† Refer to Cross Reference Guide

Q1300 REFRIGERATION COMPARTMENT – REMOTE

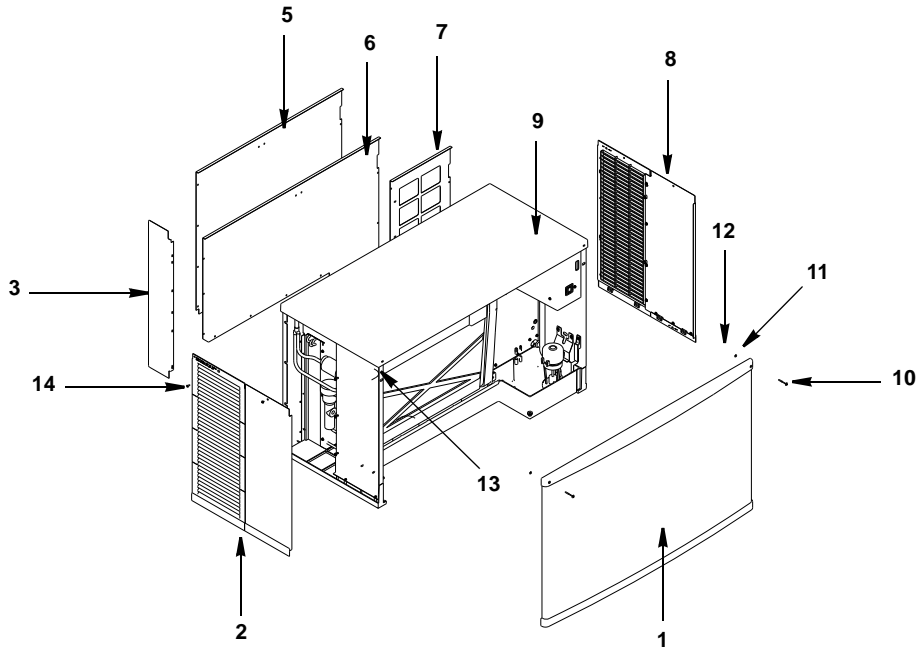


DESCRIPTION

| | PART NO. |
|--|-----------------|
| 1 Compressor (Refer to COMMON PARTS) | Page 4 |
| 2 Drier | 89-3027-9 |
| 3 Receiver | † 76-2958-3 |
| 4 Safety Soft Plug | † 628451-9 |
| 5 Magni-Check Valve | † 83-7314-9 |
| 6 Magni-Check Valve | † 83-7315-9 |
| 7 Refrigeration Service Valve | † 83-7316-9 |
| a. Cap for Refrigeration Service Valve | 56-5075-3 |
| 8 Harvest Pressure Regulating Solenoid (HPR) Valve | |
| a. HPR Valve Including 208/230V 50/60 Hz Electrical Coil (Danfoss) | † 76-3006-1 |
| b. HPR Valve 208/230V 50/60 Hz Coil Only Danfoss | 000005157 |
| c. HPR Valve 208/230V 50/60 Hz Coil Only Alco | † 24-0448-3 |
| 9 Liquid Line Solenoid (LLS) Valve | |
| a. LLS Valve Including 208/230V 50/60 Hz Electrical Coil | 76-3010-1 |
| b. LLS Valve 208/230V 50/60 Hz Coil Only Alco | † 24-0448-3 |
| 10 Harvest Pressure Regulating Valve (HPR) | † 83-6779-3 |
| 11 Coupling – Male, 5/8-18 | † 83-6034-3 |
| 12 Coupling – Male, 1-1/6-12 | † 83-6035-3 |
| Miscellaneous – Brackets, Screws, etc. | |
| 13 Coupling Mounting Flange for 5/8-18 | 83-6005-3 |
| 14 Coupling Mounting Flange for 1-1/16-12 | 83-6006-3 |
| 15 Back Panel | 601905-1 |
| 16 Drier Plastic Tie | † 56-5035-9 |
| 17 Receiver Mounting Bracket | 600056-1 |
| 18 Receiver Mounting Strap | 630721-4 |
| 19 Screw, #10-24 x .50 | † 52-0206-9 |

† Refer to Cross Reference Guide

Q1300 PANELS



pt1233

DESCRIPTION

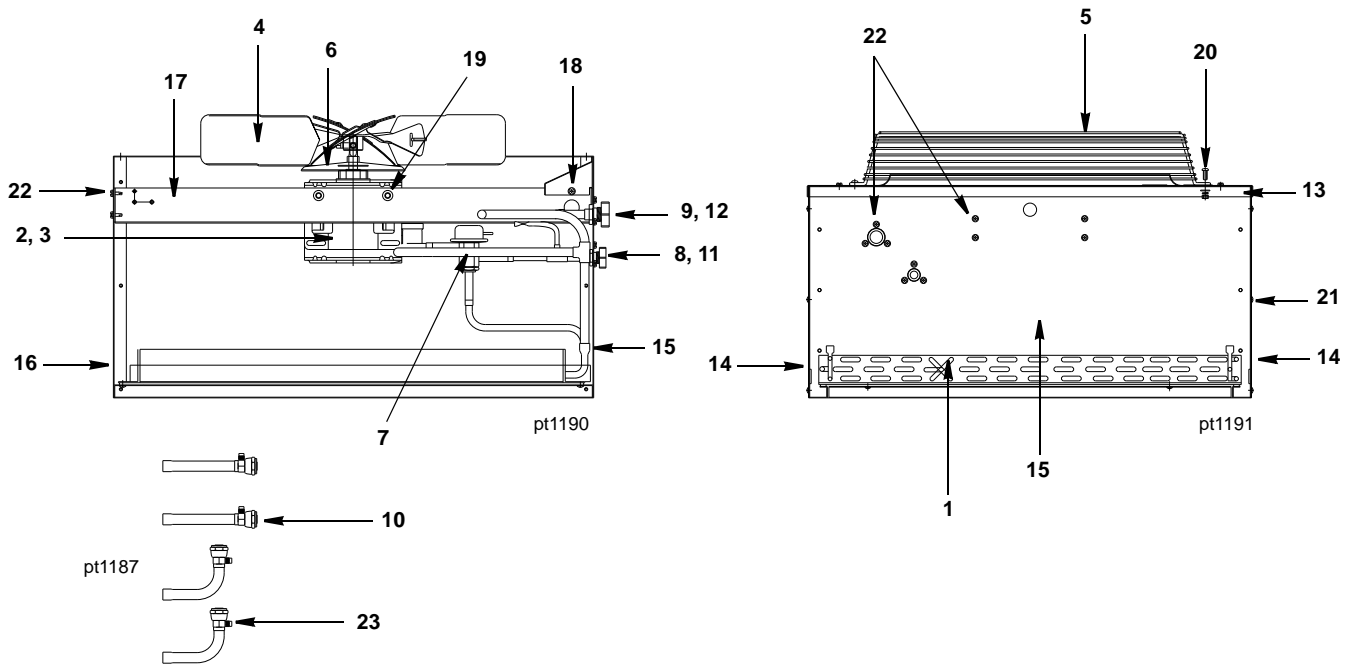
| DESCRIPTION | PART NO. |
|------------------------------------|-------------|
| 1 Front Panel Assembly | 76-2879-3 |
| 2 Left Side Panel | † 76-2859-3 |
| 3 Air Baffle | 602376-1 |
| 4 Air Filter (Not shown) | 40-4024-3 |
| 5 Back Panel, Water | 602599-1 |
| 6 Back Panel, Remote | 602607-1 |
| 7 Back Panel, Air | 604517-1 |
| 8 Right Side Panel | † 76-2860-3 |
| 9 Top Cover | 43-0332-3 |

Miscellaneous – Brackets, Screws, etc.

| | |
|--|-------------|
| 10 Front Cover Screw | † 51-1901-9 |
| 11 Front Cover Washer | † 55-7338-9 |
| 12 Front Cover Screw Retainer | † 56-4827-9 |
| 13 Speed Nut Assembly to Mount Front Cover | † 54-7303-9 |
| 14 Screw, #10-24 x .50 Flat | † 52-0209-9 |
| 15 Extruded Tape (Not shown) | † 92-0250-9 |

NOTE: Items 10, 11, 12 and 13 can be ordered as assembly 76-2898-3.

JC1395 REMOTE CONDENSER (USED WITH Q1300 REMOTE ICE MACHINES)



| DESCRIPTION | PART NO. |
|--|---------------------|
| 1 Air Condenser | 88-5090-3 |
| 2 Fan Motor (208-230V 50/60 Hz/1 Ph) | † 76-2941-3 |
| 3 Fan Motor Run Capacitor (Emerson) | 85-0458-3 |
| 3 Fan Motor Run Capacitor (Magnatec) | No Longer Available |
| 4 Fan Blade | 24-1611-3 |
| 5 Fan Guard | 34-0064-3 |
| 6 Rain Slinger | 24-1505-3 |
| 7 Head Pressure Control | 83-6809-3 |
| 8 Coupling – Male, 5/8-18 | † 83-6034-3 |
| 9 Coupling – Male, 1-1/6-12 | † 83-6035-3 |
| 10 Female Line Set Coupling Kit (Sold as Finished Goods Sales Kit) | Sales K0129 |
| Miscellaneous – Brackets, Screws, etc. | |
| 11 Coupling Mounting Flange (for 5/8-18) | 83-6005-3 |
| 12 Coupling Mounting Flange (for 1-1/16-12) | 83-6006-3 |
| 13 Top Cover | 601789-1 |
| 14 Panel – Side | † 601790-1 |
| 15 Panel – Rear | 601791-1 |
| 16 Panel – Front | † 601792-1 |
| 17 Fan Motor Mounting Bracket | † 601768-1 |
| 18 Electrical Box Cover | † 601776-1 |
| 19 Fan Motor Mounting Screw (5/16-18 x 5/8) | † 50-3565-9 |
| a. Fan Motor Mounting Flatwasher | † 55-7309-9 |
| b. Fan Motor Mounting Lockwasher | † 55-7313-9 |
| c. Fan Motor Mounting Hexnut | 54-2975-9 |
| 20 Fan Guard Mounting Screw (1/4-20 x 5/8) | † 50-3345-9 |
| a. Fan Guard Mounting Flatwasher | † 55-7304-9 |
| b. Fan Guard Mounting Lockwasher | † 55-4511-9 |
| c. Fan Guard Mounting Hexnut | † 54-2952-9 |
| 21 Panel/Condenser Mounting Screw (#8 x 1/2) | † 51-2153-9 |
| a. Panel/Condenser Mounting Lockwasher | † 55-4459-9 |
| 22 Screw (#10-24 x .62) | † 52-0205-9 |
| 23 Valve Cores (used in linesets) | 76-2684-3 |
| 24 Legs (Not shown) | † 601769-1 |

† Refer to Cross Reference Guide

INTENTIONALLY LEFT BLANK