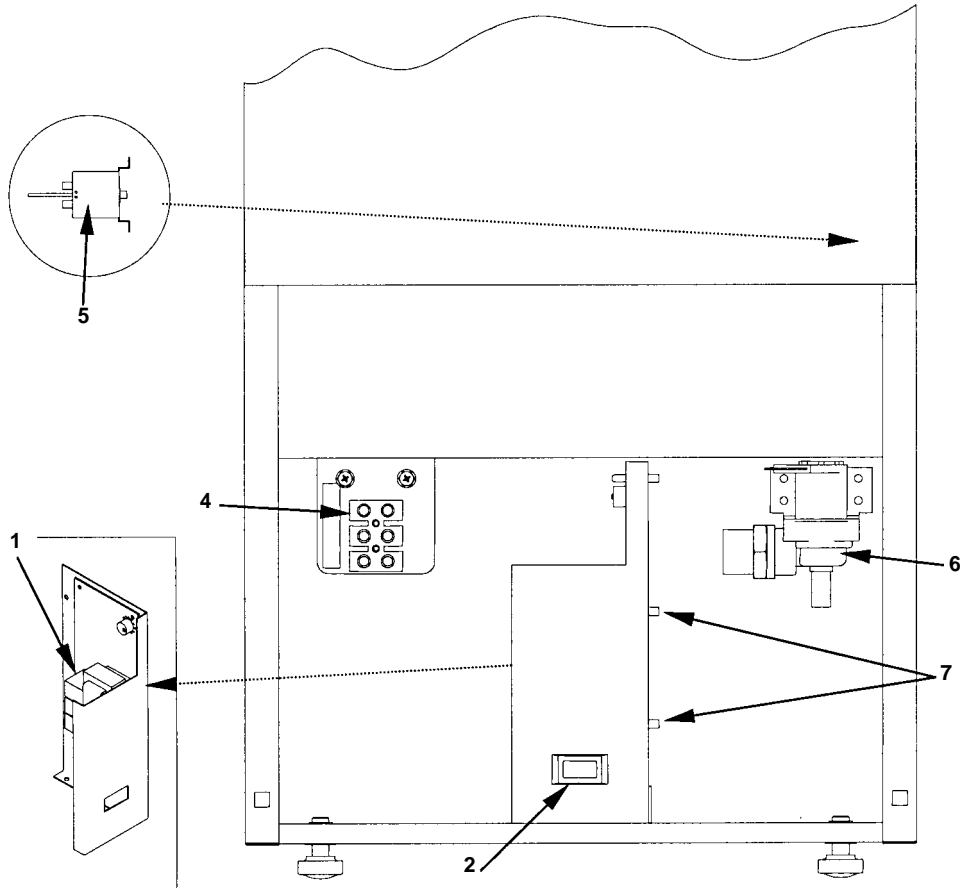




**Ice Machine Parts List for
Series QM20 Models**

QM20

QM20 CONTROL BOX



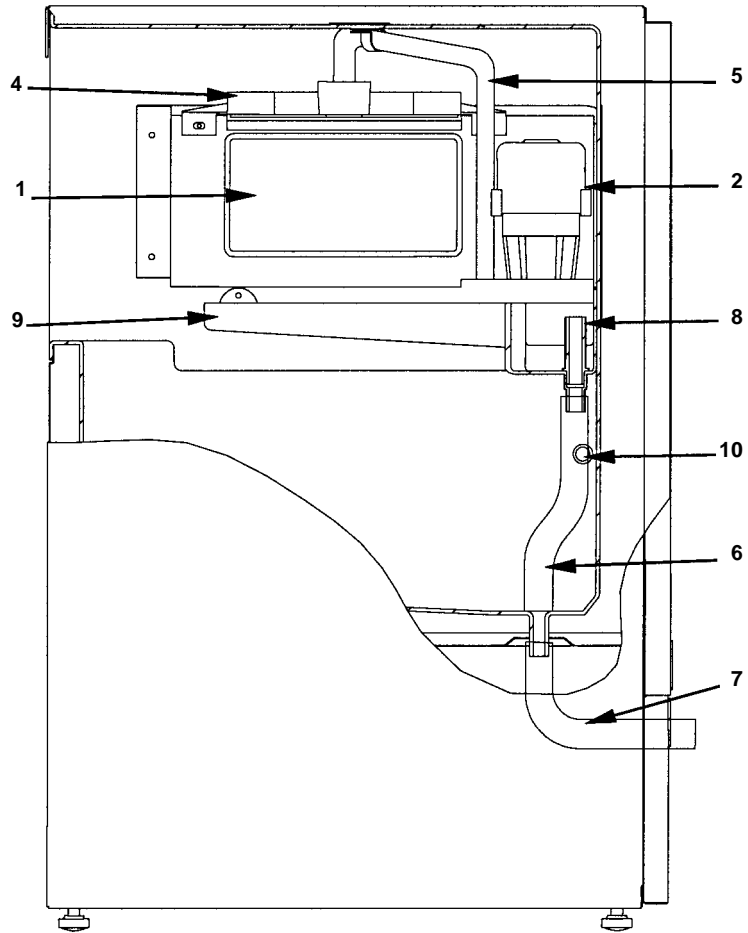
pt1138

DESCRIPTION

	PART NO.
1 Control Board (For Use With All Voltages)	† 76-2791-3
a. Fuse 8 amp 250V	† 25-1137-3
2 Toggle Switch	23-0151-3
3 Wiring Harness	
a. 208-230V/50/60 Hz (Not Shown)	20-3238-3
b. 115V/60 Hz (Not Shown)	20-3265-3
4 Terminal Block	20-0614-3
5 Bin Control	† 76-2966-1
6 Water Inlet Valve	
a. Assembly 208-230V/50-60 Hz coil	24-0531-3
b. Assembly 115V/60 Hz coil	† 24-0530-3
c. Hose Nipple	87-0040-3
d. Compression Nut, Pkg of 2	† 56-5072-9
7 Control Board Support	43-0225-3
8 Power Cord 115V	20-3266-3

† Refer to Cross Reference Guide

QM20 EVAPORATOR COMPARTMENT



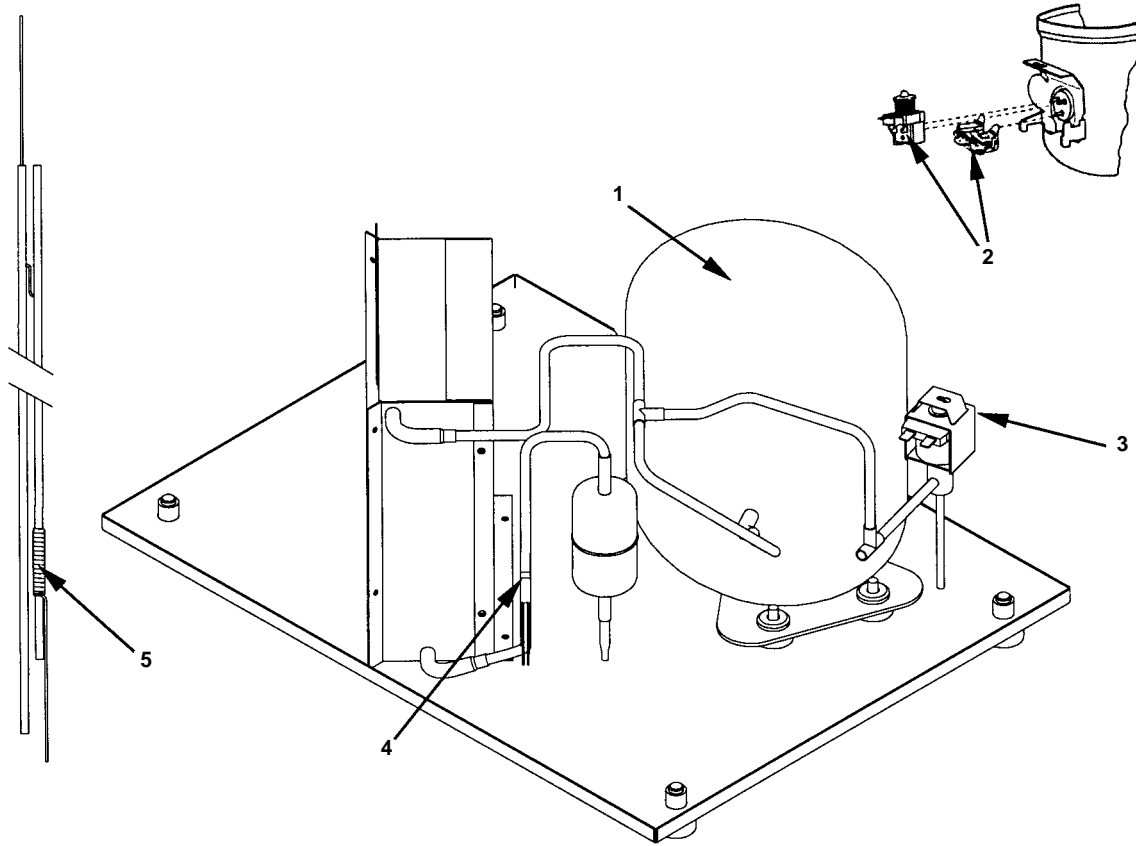
pt1141

DESCRIPTION

		PART NO.
1	Evaporator Assembly	
	a. Dice Cube	76-2792-3
2	Water Pump	
	a. 230V/50 Hz	† 20-0141-3
	b. 208-230V/60 Hz	84-8088-3
	c. 115V/60 Hz	84-8089-3
3	Water Pump lead (not shown)	20-7801-3
4	Water Distributor	† 76-2940-3
5	Tube Molded White Vinyl	44-2110-3
6	Tubing Vinyl Clear 5/8" ID	† 44-2038-3
7	Tubing Vinyl White .625 ID	44-2085-3
8	Stand Pipe, Drain Tray	† 43-0376-3
9	Drain Tray	† 43-0374-3
10	Bin Thermostat Tube, Plated	60-2355-1
11	Water Inlet Components (Not Shown)	
	a. Elbow, 90° Female With Nut	83-9014-3
	b. Elbow, 90° Male NPT With Barb	83-9013-3
	c. 1/4" O.D. x 42" Poly Tubing	44-2029-1

† Refer to Cross Reference Guide

QM20 COMPRESSOR COMPARTMENT



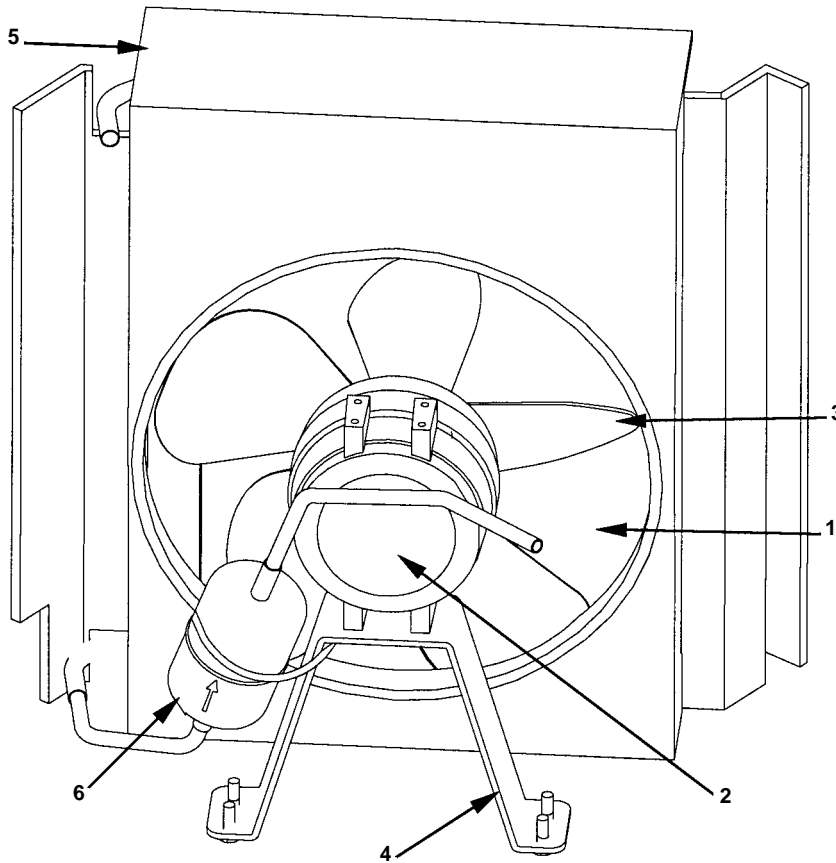
pt1139

DESCRIPTION

	DESCRIPTION	PART NO.
1	Compressor	
	a. 230V/50 Hz	† 76-2794-3
	b. 208-230V/60 Hz	† 76-2933-3
	c. 115V/60 Hz	† 76-2932-3
2	Compressor Relay/Overload Assembly	
	a. 230V/50 Hz	76-2799-3
	b. 115V/60 Hz	76-2934-3
3	Hot Gas Valve	
	a. Hot gas valve 208-230V/50-60 Hz coil only	24-0518-3
	b. Hot gas valve 115V/60 Hz coil only	24-0523-3
	c. Hot gas valve body only (All Voltages)	24-0517-3
	d. Coil Clamp	24-0519-3
4	NTC Thermistor	23-5131-3
5	Suction Line/Cap Tube Assembly	76-2793-3

† Refer to Cross Reference Guide

QM20 AIR-COOLED

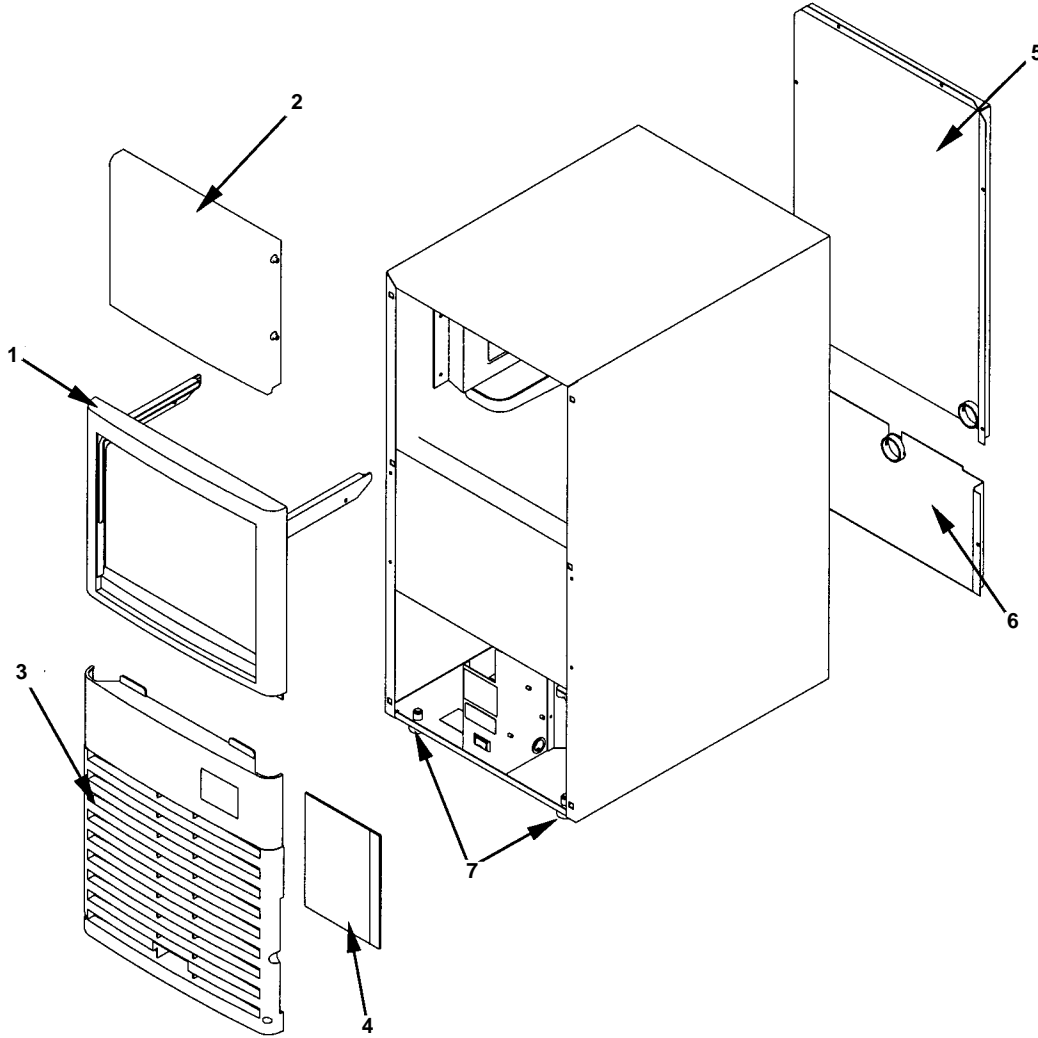


pt1140

DESCRIPTION

	DESCRIPTION	PART NO.
1	Air Condenser	88-5131-3
2	Fan Motor	
	a. 230V/50 Hz	24-1304-3
	b. 208-230V/60 Hz	24-1305-3
	c. 115V/60 Hz	24-1306-3
3	Fan Blade	24-1628-3
4	Fan Motor Bracket	60-2268-1
5	Fan Shroud	60-2325-1
6	Drier	89-3025-9

QM20 PANELS



pt1137

DESCRIPTION

	PART NO.
1 Door Frame Assembly	76-2795-3
2 Door Assembly	76-2796-3
3 Front Panel Louvered	76-2798-3
4 Air Filter Assembly	76-2797-3
5 Back Panel Upper	60-2330-1
6 Back Panel Lower	60-2331-1
7 Leg Leveler	33-0257-3
8 Front Panel Screw (Not shown)	† 52-0223-9

Miscellaneous Parts

9 Ice Scoop, 6oz (Not shown)	33-0258-3
------------------------------------	-----------