



Ice Machine Parts List for Series S1800 Models

SR1800A

SD1892N

SR1801W

SY1804A

SR1890N

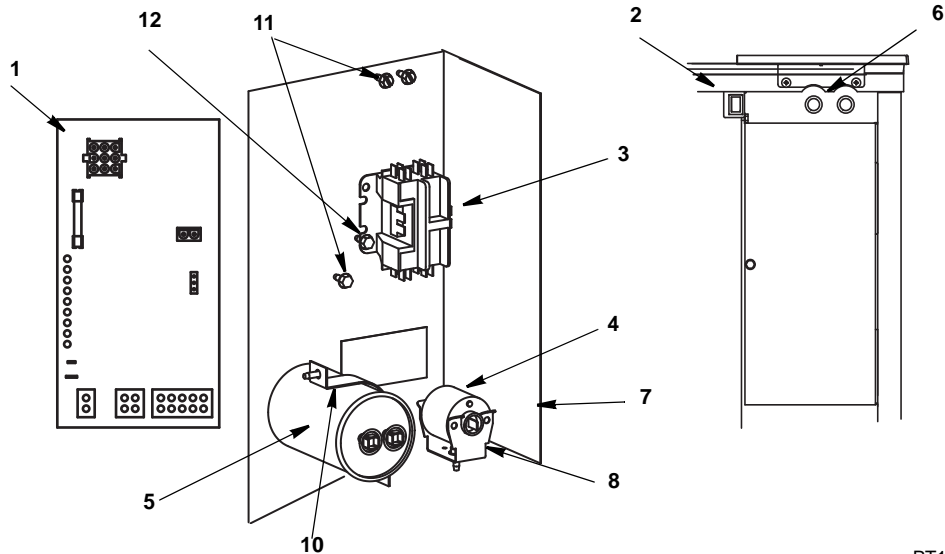
SY1805W

SD1802A

SY1894N

SD1803W

S1800 CONTROL BOX



PT1388

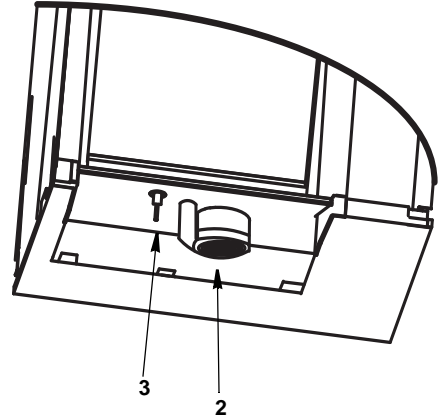
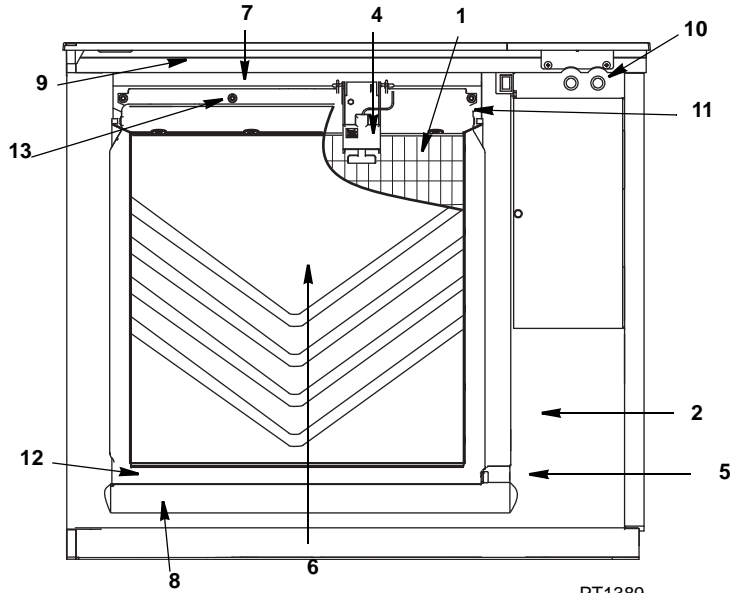
DESCRIPTION

	PART NO.
1 Control Board (for use with all voltages)	20-0619-9
a. 7 Amp Fuse – Mounted on Control Board	25-1100-3
2 Toggle Switch Only	20-0793-9
a. Toggle Switch Wiring Harness	20-0906-9
b. Toggle Switch Box	40-1163-9
3 Contactor	
a. 208-230V/60 Hz/1 Ph or 230V/50 Hz 1Ph.	20-0908-9
b. 208-230V/60 Hz/3 Ph	20-0661-9
4 P.T.C.R. Compressor Starter	85-0491-3
5 Compressor Run Capacitor 208-230V/50/60 Hz/1 Ph).	000000028
6 Refrigeration Service Valve Assembly	83-7326-3

Miscellaneous – Brackets, Screws, etc.

7 Control Box	76-0214-3
a. Control Box Cover (Not shown).	76-0315-3
b. Control Box Bracket.	606724-9
8 P.T.C.R. Compressor Starter Mounting Bracket	85-0495-3
9 Control Board Mounting Supports (Not shown)	43-0225-3
10 Capacitor Mounting Strap	602495-1
11 Screw, #10-24 x .50 Ground	52-0216-9
a. Star Washer	55-7320-9
12 Screw, #10-24 x .50	52-0206-9
13 Control Box Wiring Harness (Not shown)	
a. 230/60/1.	20-0899-9
b. 230/60/3.	20-0897-9
c. 230/50/1.	20-0898-9
d. Harvest Air Assist Pump	20-0900-9

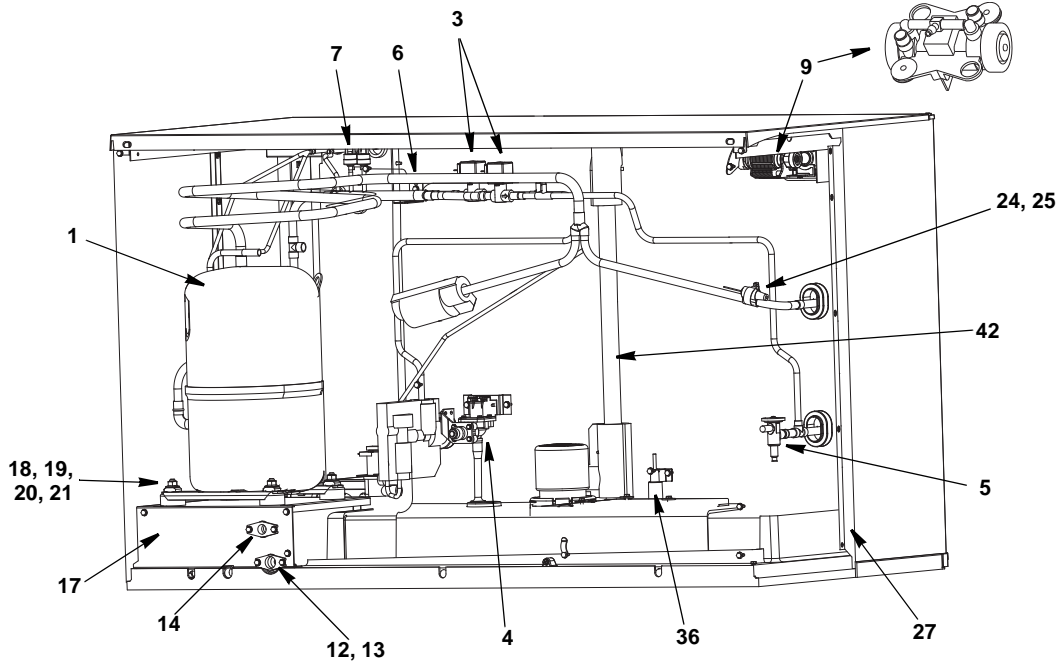
S1800 EVAPORATOR COMPARTMENT



DESCRIPTION

	PART NO.
1 Evaporator Assembly	
a. Regular Cube	76-0325-3
b. Dice Cube	76-0326-3
c. Half Dice Cube	76-0327-1
2 Water Pump	
a. 230V/60 Hz	82-5270-9
b. 230V/50 Hz	000000259
3 Water Level Probe	
a. Wire, control box to probe	20-0654-9
4 Ice Thickness Control Probe	20-0916-9
5 Magnetic Bin Switch	20-0802-9
6 Water Curtain	20-0681-9
7 Water Distribution Tube Assembly	40-1272-9
a. O-Rings (Back of Distribution Assembly)	76-0319-3
8 Water Trough	50-0464-9
9 Evaporator Top Filler Panel	40-0915-9
a. Stainless Steel Clamp	000000292
b. Clamp Screw	606333-9
10 Access Valve	52-0209-9
11 Evaporator Top Frame Assembly	83-7326-3
12 Water Diverter	76-0320-3
a. Thumbscrew	76-0318-3
a. Thumbscrew	53-0512-3
Miscellaneous – Brackets, Screws, etc.	
13 Screw, (Water Distribution Tube Mounting) Each	50-0479-9
a. O-Ring	50-0462-9
14 Screw, #12-16 x .687 Used to Mount Evaporator (Each)	50-0461-9
15 Water Pump Base O-Ring	50-0465-9
16 Water Pump Outlet O-Ring	50-0467-9
17 Vinyl Tubing 0.625 ID (dump valve to drain adapter)	000001382
a. Insulation	603883-1

S1800 REFRIGERATION COMPARTMENT – COMMON PARTS



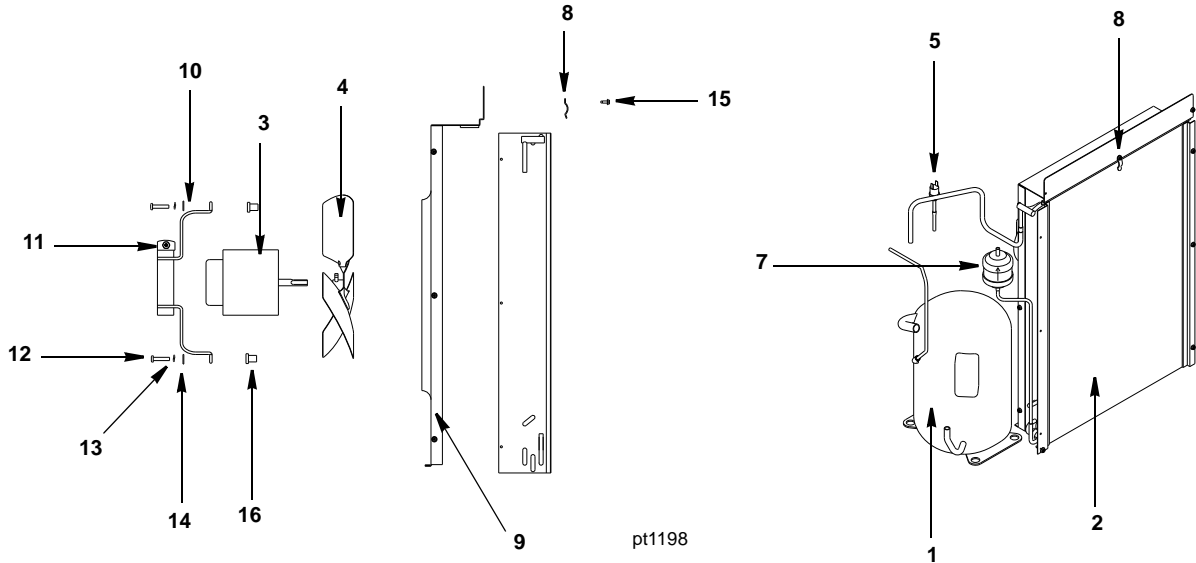
DESCRIPTION

	DESCRIPTION	PART NO.
1	Compressor	
	a. 208-230V/60 Hz/1 Ph	76-0328-3
	b. 208-230V/60 Hz/3 Ph	76-0329-3
	c. 230V/50 Hz/1 Ph	76-0330-3
2	Water Dump Valve	
	a. Dump Valve, 208-230V/50-60 Hz	000001768
	b. Dump Valve Rebuild Kit.	No Longer Available
3	Harvest Valve	
	a. Harvest Valve Including 208/230V 50/60 Hz Electrical Coil Danfoss	76-3010-1
	b. Harvest Valve 208/230V 50/60 Hz Coil Only Danfoss.	000005157
4	Water Inlet Valve	
	a. Water Inlet Valve Including 208-240V/50-60 Hz Coil.	000000380
5	Expansion Valve	76-0225-3
	a. Expansion Valve Body Insulation Boot	40-1329-9
	b. Expansion Valve Bulb Insulation Boot	40-0720-3
6	Manifold Strainer (in front of hot gas valve)	82-5097-3
7	High Pressure Cut-out (Auto Reset)	20-0124-3
8	Electrical Box on Rear of Ice Machine	
	a. Box	606728-9
	b. Terminal Block 3 Pole	20-0614-3
	c. Groundscrew #10-24 x .50	52-0216-9
9	Air Compressor	
	a. Air Compressor Pumps 230V with brackets	000000444
	b. Manifold Tee (Air Pump Tubing Outlet)	40-0457-9
10	Compressor Compartment Wiring Harness	
	a. Water	20-0901-9
	b. Air	20-0902-9
	c. Remote	20-0903-9

Miscellaneous – Brackets, Screws, etc.

11	Dump Valve Mounting Bracket	605845-9
12	Water Inlet Valve Wing Adapter	87-0609-3
13	Water Inlet Valve Wing Adapter Plastic Fitting	13-6096-1
14	Water Drain Female Wing Adapter	87-0608-3
15	Water Drain Clear Tubing, .625 ID x 12 inches	44-2038-3
16	Dump Valve Tubing 3.25 inches.	44-2038-3
17	Compressor Mounting Base.	606590-9
18	Compressor Mounting Rubber Grommet.	85-0485-9
19	Compressor Mounting Sleeve	85-0394-9
20	Compressor Mounting Bolt.	50-0481-9
21	Compressor Mounting Nut	50-0482-9
22	Compressor Wiring Harness	20-0623-9
23	Clamp, Water Drain	56-5070-9
24	Clamp, Expansion Valve Bulb	56-5052-9
25	Copper Bulb Strap	30-0050-3
26	Screw, #10-24 x .50	52-0206-9
27	Left Corner Post	606599-9
28	Left Top Channel	606864-9
29	Right Corner Post.	606713-9
30	Right Top Channel	606257-9
31	Insulated Tube (vinyl tubing from distribution tube to water pump & dump valve).	000003409
	a. Clamp .859/.989 ID	56-5060-3
	b. Clamp .799/.899 ID.	56-5070-3
32	Water Inlet Valve Tubing	40-1043-9
33	Connector Water Inlet Valve.	13-6098-9
34	Water Inlet Valve Bracket.	606644-9
35	Check Valve Replacement (includes water diverter, vinyl tubing & insulation)	000002474
36	Holder, Water Level Probe	20-0655-9
	a. Screw to Mount Water Level Probe Holder.	52-0206-9
37	Molded Vinyl Tube	40-1425-9

S1800 REFRIGERATION COMPARTMENT – AIR-COOLED



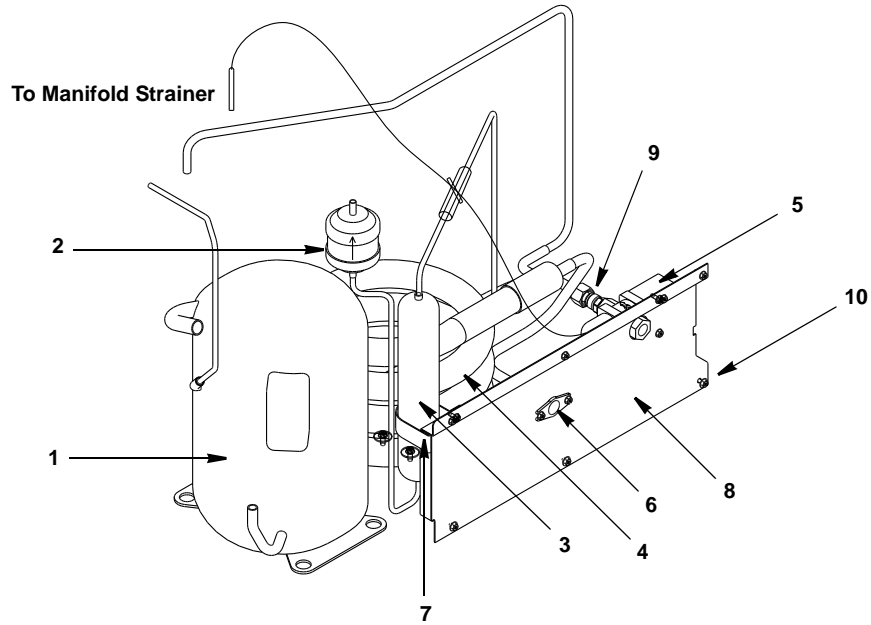
DESCRIPTION

	PART NO.
1 Compressor (Refer to COMMON PARTS Page)	Page S1800-4
2 Air Condenser	88-5129-3
3 Fan Motor (208-230V/60 Hz or 230V/50 Hz)	76-2673-3
4 Fan Blade	24-1611-3
5 Fan Cycling Control	† 20-0127-3
6 Air Filter (Not shown)	40-4025-3
7 Drier	89-3027-9

Miscellaneous – Brackets, Screws, etc.

8 Air Filter Clip	† 56-5069-9
9 Fan Shroud	606597-9
10 Fan Motor Mounting Bracket	30-0682-3
11 Fan Motor Mounting Screw	† 50-3358-9
a. Fan Motor Mounting Lockwasher	† 55-4510-9
b. Fan Motor Mounting Hexnut	† 54-2952-9
12 Fan Bracket Mounting Screw	50-3238-9
13 Fan Bracket Mounting Lockwasher	† 55-4510-9
14 Fan Bracket Mounting Flatwasher	† 55-7305-9
15 Screw, #10-24 x .50	† 52-0206-9
16 Wellnut	54-2955-9

S1800 REFRIGERATION COMPARTMENT – WATER-COOLED



pt1200

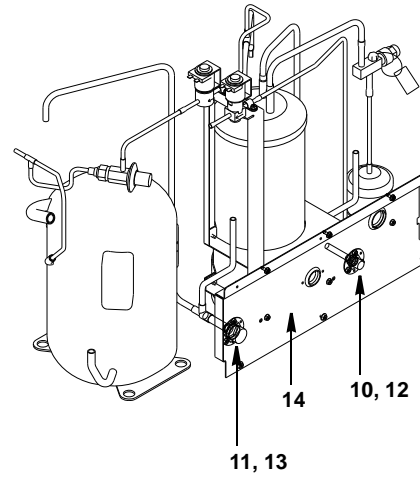
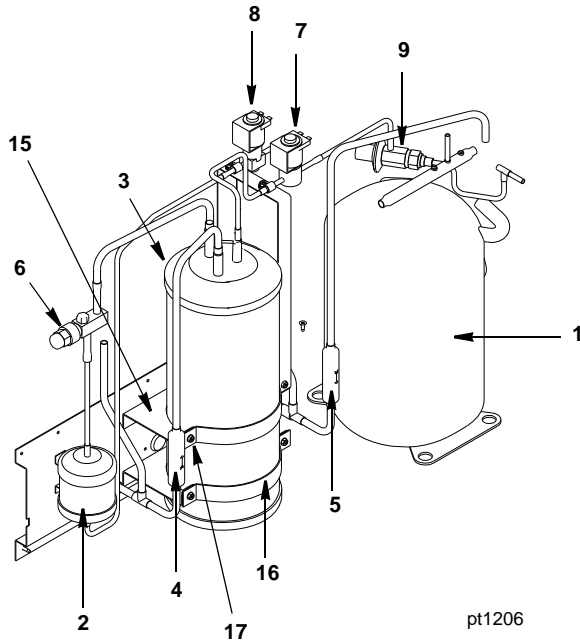
DESCRIPTION

DESCRIPTION	PART NO.
1 Compressor (Refer to COMMON PARTS Page)	Page S1800-4
2 Drier	89-3027-9
3 Receiver	89-0035-3
4 Water-Cooled Condenser	000001508
5 Water Regulating Valve	83-7212-3
6 Water Drain Female Wing Adapter	87-0608-3

Miscellaneous – Brackets, Screws, etc.

7 Receiver Strap	600054-1
8 Back Panel	606682-9
9 Elbow .50 MF x .50 NPT	50-0545-3
10 Screw, #10-24 x .50	52-0206-3
11 Washer	55-7341-9
12 Base, Water Condenser/Receiver	606684-1

S1800 REFRIGERATION COMPARTMENT – REMOTE

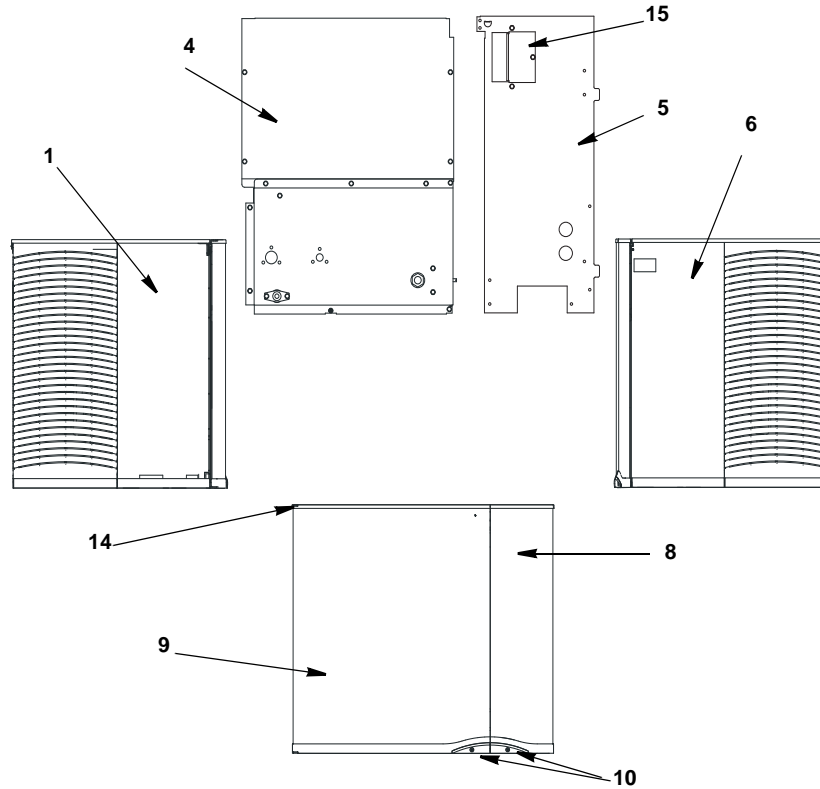


DESCRIPTION

	PART NO.
1 Compressor (Refer to COMMON PARTS)	Page S1800-4
2 Drier	89-3027-9
3 Receiver	89-0001-9
4 Magni-Check Valve 3/8"	83-7314-9
5 Magni-Check Valve 1/2"	83-7315-3
6 Refrigeration Service Valve	† 83-7316-9
a. Cap for Refrigeration Service Valve	56-5075-9
7 Harvest Pressure Regulating Solenoid (HPR) Valve	
a. HPR Valve Including 208/230V 50/60 Hz Electrical Coil (Danfoss).	76-3006-1
b. HPR Valve 208/230V 50/60 Hz Coil Only Danfoss	000005157
8 Liquid Line Solenoid (LLS) Valve	
a. LLS Valve Including 208/230V 50/60 Hz Electrical Coil (Danfoss)	76-3009-1
b. LLS Valve 208/230V 50/60 Hz Coil Only Danfoss.	000005157
9 Harvest Pressure Regulating Valve (HPR)	† 83-6779-3
10 Coupling – Male, 5/8-18	† 83-6034-3
11 Coupling – Male, 1-1/6-12	† 83-6035-3
Miscellaneous – Brackets, Screws, etc.	
12 Coupling Mounting Flange for 5/8-18	83-6005-3
13 Coupling Mounting Flange for 1-1/16-12	83-6006-3
14 Back Panel	606682-9
15 Receiver Mounting Bracket.	600056-1
16 Receiver Mounting Strap	630721-4
17 Screw, #10-24 x .50	† 52-0206-9

† Refer to Cross Reference Guide

S1800 PANELS



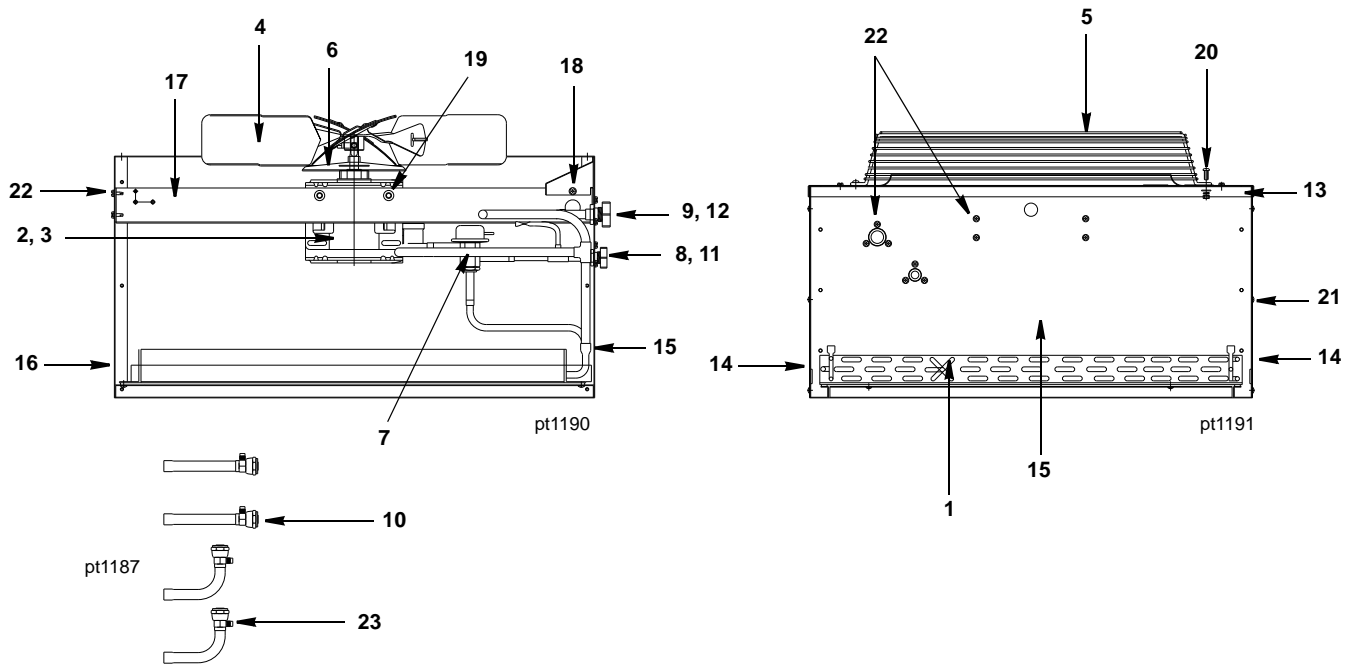
DESCRIPTION

DESCRIPTION	PART NO.
1 Left Side Panel	606057-9
2 Air Baffle	607137-9
3 Air Filter (Not shown)	40-4025-3
4 Back Panel, Remote or Water	606714-9
5 Back Panel, Air.	606715-9
6 Right Side Panel	606056-9
7 Top Cover (Not shown)	40-1203-9
8 Right Door	606283-9
9 Left Door	606282-9

Miscellaneous – Brackets, Screws, etc.

10 Right/Left Door Screw	50-0489-9
11 Front Top Support (Not shown)	30-0574-9
a. Mounting Screw Left Side 8-32 x 1	50-0537-9
b. Mounting Screw Right Side 10-24 x .50.	50-0509-9
c. Front Panel Strike	30-0602-9
12 Bottom Door Frame	40-1188-9
a. Mounting Screw Left Side 8-32 x 1 PHIL	50-0537-9
b. Mounting Screw Right Side 10/24 x .50 PHIL.	52-0209-9
13 Door Catch Bracket (RHD).	606236-9
a. Mounting Screw 8-32 x .50 Phil	50-2624-9
14 Left Door Pivot Leaf Hinge (Top or Bottom)	30-0557-9
a. Mounting Screw 8-32 x 1 PHIL	50-0537-9
15 Electrical Connection Box Cover	606729-9
16 Top Cover Bracket	606404-9
17 Sachet Holder (inside left door)	40-0459-9
a. Screws	50-0479-9

JC1395 REMOTE CONDENSER (USED WITH S1800 REMOTE ICE MACHINES)



DESCRIPTION

DESCRIPTION	PART NO.
1 Air Condenser	88-5090-3
2 Fan Motor (208-230V 50/60 Hz/1 Ph).	† 76-2941-3
3 Fan Motor Run Capacitor (Emerson)	85-0458-3
3 Fan Motor Run Capacitor (Magnatec)	No Longer Available
4 Fan Blade	24-1611-3
5 Fan Guard.	34-0064-3
6 Rain Slinger	24-1505-3
7 Head Pressure Control	83-6809-3
8 Coupling – Male, 5/8-18	† 83-6034-3
9 Coupling – Male, 1-1/6-12	† 83-6035-3
10 Female Line Set Coupling Kit (Sold as Finished Goods Sales Kit)	Sales K0129

Miscellaneous – Brackets, Screws, etc.

11 Coupling Mounting Flange (for 5/8-18)	83-6005-3
12 Coupling Mounting Flange (for 1-1/16-12)	83-6006-3
13 Top Cover	601789-1
14 Panel – Side	† 601790-1
15 Panel – Rear	601791-1
16 Panel – Front	† 601792-1
17 Fan Motor Mounting Bracket	† 601768-1
18 Electrical Box Cover	† 601776-1
19 Fan Motor Mounting Screw (5/16-18 x 5/8)	† 50-3565-9
a. Fan Motor Mounting Flatwasher	† 55-7309-9
b. Fan Motor Mounting Lockwasher	† 55-7313-9
c. Fan Motor Mounting Hexnut	54-2975-9
20 Fan Guard Mounting Screw (1/4-20 x 5/8)	† 50-3345-9
a. Fan Guard Mounting Flatwasher	† 55-7304-9
b. Fan Guard Mounting Lockwasher	† 55-4511-9
c. Fan Guard Mounting Hexnut	† 54-2952-9
21 Panel/Condenser Mounting Screw (#8 x 1/2)	† 51-2153-9
a. Panel/Condenser Mounting Lockwasher	† 55-4459-9
22 Screw (#10-24 x .62)	† 52-0205-9
23 Valve Cores (used in linesets)	76-2684-3
24 Legs (Not shown)	† 601769-1

† Refer to Cross Reference Guide