



## **Ice Machine Parts List for Series S320 Models**

**SD0322A**

**SY0324A**

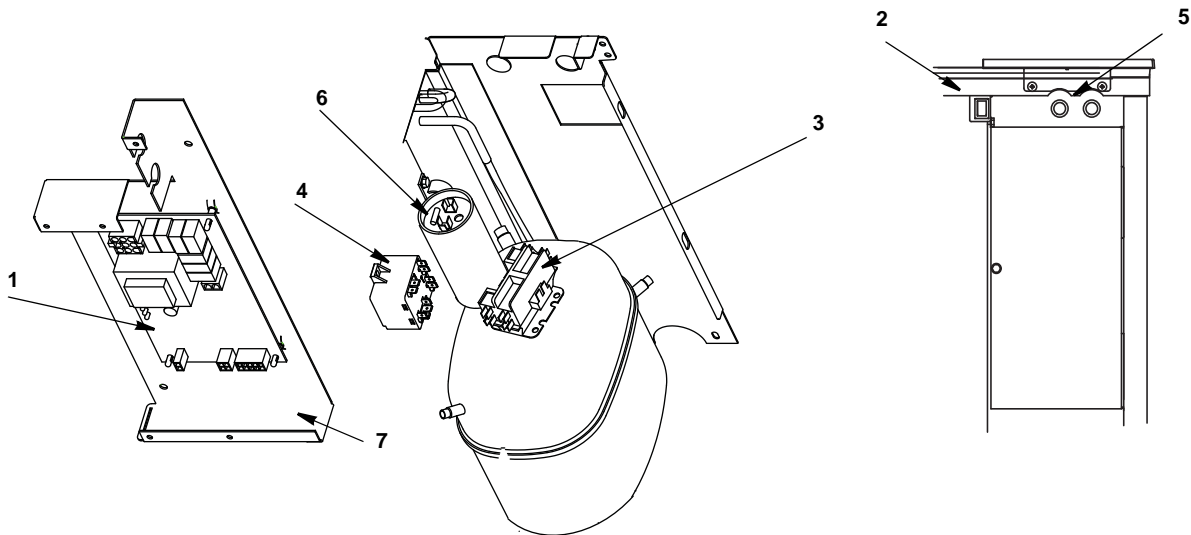
**SD0323W**

**SY0325W**

**SR0320A**

**SR0321W**

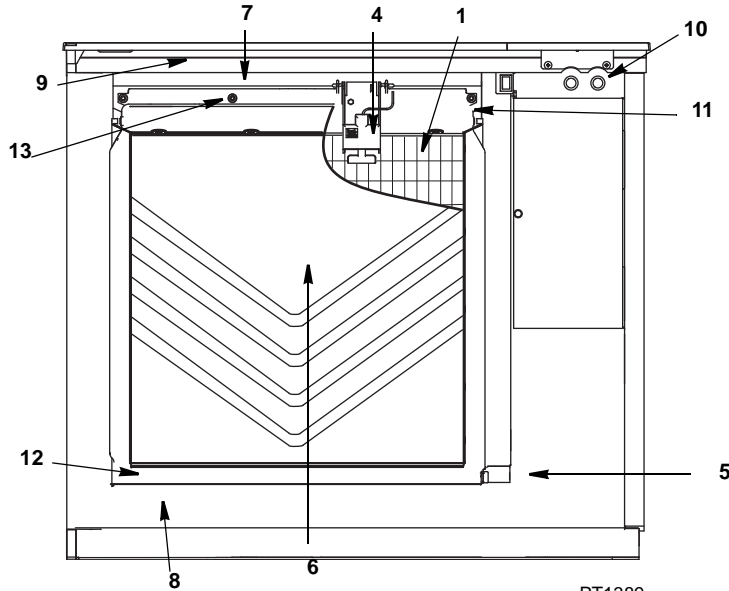
## S320 CONTROL BOX



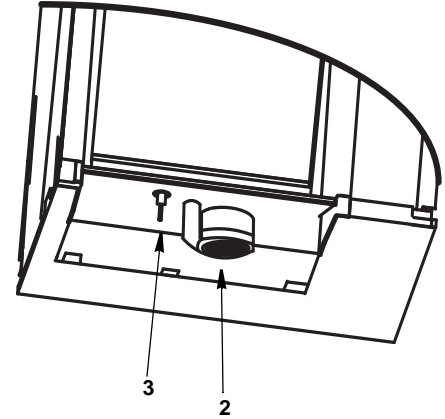
PT1388

1	Control Board (for use with all voltages) . . . . .	20-0619-9
	a. 7 Amp Fuse – Mounted on Control Board . . . . .	25-1100-3
2	<b>Toggle Switch</b> Only . . . . .	20-0793-9
	a. Toggle Switch Wiring Harness . . . . .	20-0807-9
	b. Toggle Switch Box . . . . .	40-1163-9
3	<b>Contactor</b>	
	a. 115V/60 Hz/1 Ph . . . . .	20-0658-9
	b. 208-230V/60 Hz/1 Ph or 230V/50 Hz/1 Ph . . . . .	20-0659-9
4	<b>Current Start Relay</b>	
	a. 115V/60 Hz/1 Ph . . . . .	82-5103-3
	b. 208-230V/50/60 Hz/1 Ph) . . . . .	20-0224-3
5	Refrigeration Service Valve Assembly . . . . .	83-7326-3
6	<b>Start Capacitor</b>	
	a. 115V/60 Hz/1 Ph . . . . .	82-5102-3
	b. 208-230V/50/60 Hz/1 Ph) . . . . .	82-5109-3
<b>Miscellaneous – Brackets, Screws, etc.</b>		
7	Control Box . . . . .	606390-9
	a. Control Box Side Cover (Not shown) . . . . .	76-0273-9
	a. Control Box Front Cover (Not shown) . . . . .	606392-9
8	Control Board Mounting Supports (Not shown) . . . . .	43-0225-3
9	Control Board Bushings . . . . .	25-0016-9
10	Start Components Electrical Box . . . . .	606394-9
11	Capacitor Mounting Strap . . . . .	50-0530-3
12	Screw, #10-24 x .50 Ground . . . . .	52-0216-9
	a. Star Washer . . . . .	55-7320-9
13	Screw, #10-24 x .50 . . . . .	52-0206-9
14	Control Box Wiring Harness (Not shown)	
	a. 115/60/1 . . . . .	20-0873-9
	b. 230/60/1 . . . . .	20-0874-9
	c. 230/50/1 . . . . .	20-0875-9
	d. Ground Wire . . . . .	20-0869-9

## S320 EVAPORATOR COMPARTMENT



PT1389

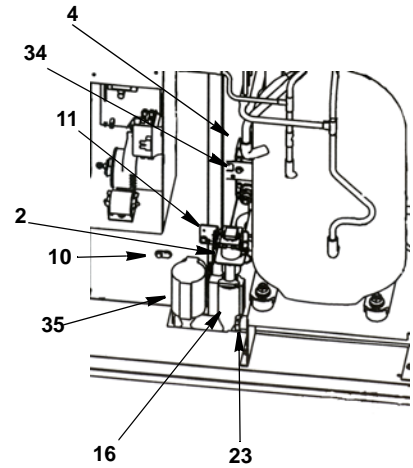
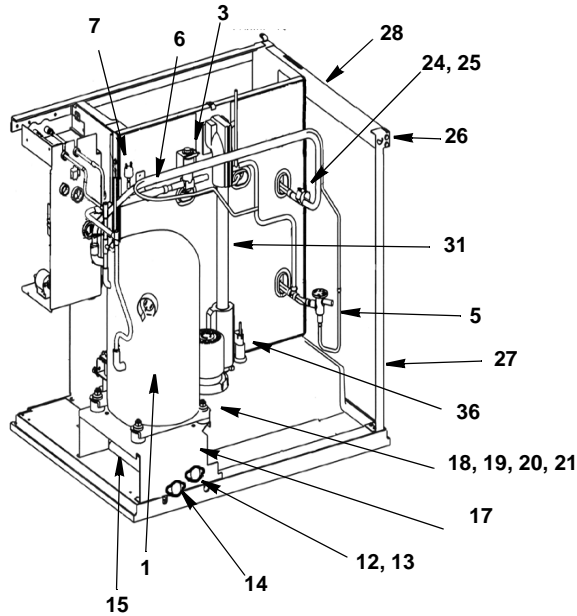


PT1390

### DESCRIPTION

		PART NO.
1	<b>Evaporator Assembly</b>	
	a. Dice Cube . . . . .	76-0276-9
	b. Half Dice Cube . . . . .	76-0275-9
2	<b>Water Pump</b>	
	a. 115V/60/1 PH . . . . .	20-0892-9
	b. 230V/60/1 PH . . . . .	20-0893-9
	c. 230V/50/1 PH . . . . .	20-0894-9
3	<b>Water Level Probe</b> . . . . .	20-0654-9
	a. Wire, control box to probe . . . . .	20-0798-9
4	<b>Ice Thickness Control Probe</b> . . . . .	20-0802-9
5	<b>Magnetic Bin Switch</b> . . . . .	20-0681-9
6	<b>Water Curtain</b> . . . . .	40-1118-9
7	<b>Water Distribution Assembly</b> . . . . .	76-0278-9
	a. O-Rings (Back of Distribution Assembly) . . . . .	50-0464-9
8	<b>Water Trough</b> . . . . .	40-0914-9
9	<b>Evaporator Top Filler Panel</b> . . . . .	606538-1
	a. Filler Panel Bracket . . . . .	606333-9
	b. Bracket Screw . . . . .	52-0209-9
10	<b>Access Valve</b> . . . . .	83-7326-9
11	<b>Evaporator Top Frame Assembly</b> . . . . .	76-0279-9
12	<b>Water Diverter</b> . . . . .	76-0277-9
<b>Miscellaneous – Brackets, Screws, etc.</b>		
13	<b>Screw, (Water Distribution Tube Mounting) Each</b> . . . . .	50-0479-9
	a. O-Ring . . . . .	50-0462-9
14	<b>Screw, #12-16 x .687 (Used to Mount Evaporator) Each</b> . . . . .	50-0461-9
15	<b>Water Pump Base O-Ring</b> . . . . .	50-0465-9
16	<b>Water Pump Outlet O-Ring</b> . . . . .	50-0467-9
17	<b>Vinyl Tubing 0.625 ID (dump valve to drain adapter)</b> . . . . .	000001382
	a. Insulation . . . . .	603883-1

## S320 REFRIGERATION COMPARTMENT – COMMON PARTS



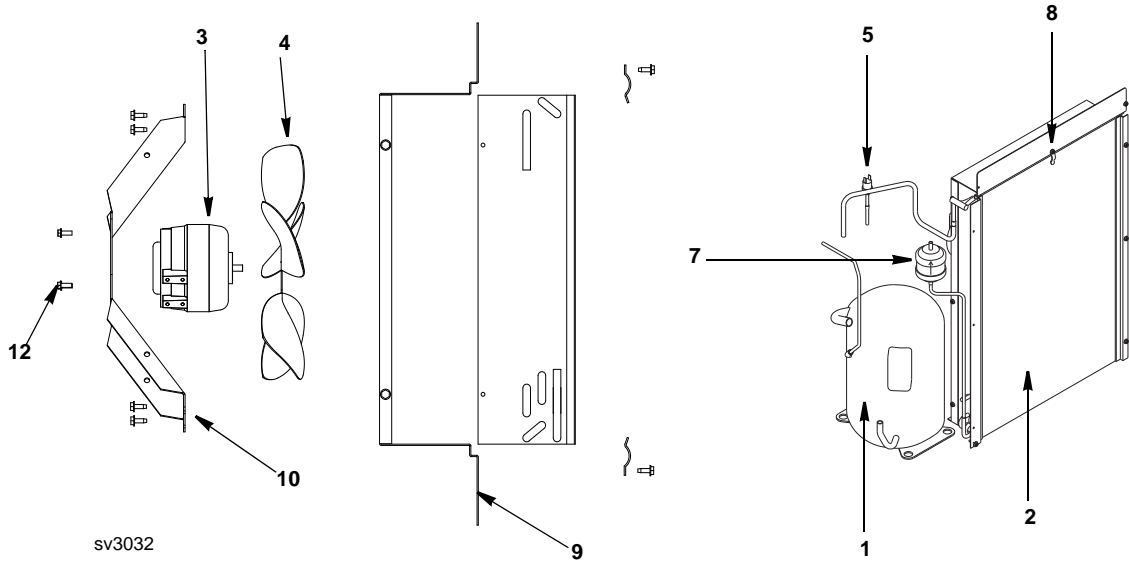
### DESCRIPTION

		PART NO.
1	<b>Compressor</b>	
	a. 115V/60 Hz/1 Ph .....	76-0134-3
	b. 208-230V/50-60 Hz/1 Ph .....	76-0135-3
2	<b>Water Dump Valve</b>	
	a. 115V/60 Hz .....	000001767
	b. 208-230V/50-60 Hz .....	000001768
	<b>Dump Valve Rebuild Kit</b> .....	No Longer Available
3	<b>Harvest Valve Including Electrical Coil</b>	
	a. 115V/60 Hz .....	76-3001-1
	b. 208-230V/50-60 Hz .....	76-3007-1
	<b>Harvest Valve Coil Only</b>	
	a. 115V/60 Hz .....	000002048
	b. 208-230V/50-60 Hz .....	000002049
4	<b>Water Inlet Valve with Coil</b>	
	a. 115V/60 Hz .....	000000375
	b. 208-230V/50/60 Hz .....	000000376
5	<b>Expansion Valve</b>	
	a. Water .....	76-0290-3
	b. Air .....	76-0289-3
	c. Expansion Valve Body Insulation Boot .....	40-0036-3
	d. Expansion Valve Bulb Insulation Boot .....	40-0720-3
6	Manifold Strainer (in front of hot gas valve) .....	82-5100-3
7	High Pressure Cut-out (Auto Reset) .....	20-0124-3
8	<b>Electrical Box on Rear of Ice Machine</b>	
	a. Box .....	606394-9
	b. Terminal Block 3 Pole .....	20-0614-3
	c. Groundscrew #10-24 x .50 .....	52-0216-9
9	<b>Compressor Compartment Wiring Harness</b>	
	a. Water .....	20-0732-9
	b. Air .....	20-0731-9
10	Bin Switch .....	20-0681-9

**Miscellaneous – Brackets, Screws, etc.**

11	Dump Valve Mounting Bracket . . . . .	606503-9
	a. Mounting Screws 12-16 x .5 . . . . .	50-1231-9
	b. Mounting Screws 10-24 x 3/8 . . . . .	52-0210-9
12	Water Inlet Valve Wing Adapter . . . . .	87-0609-3
13	Water Inlet Valve Adapter Plastic Fitting . . . . .	13-6096-3
14	Water Drain Female Wing Adapter . . . . .	87-0608-3
15	Water Drain Clear Tubing, .625 ID x 12 inches . . . . .	44-2038-3
16	Dump Valve Tubing (3.25 inches) . . . . .	44-2038-3
17	Compressor Mounting Base . . . . .	606026-9
18	Compressor Mounting Rubber Grommet . . . . .	50-0089-9
19	Compressor Mounting Sleeve . . . . .	50-0090-9
20	Compressor Mounting Screw 1/4-20 x 1 1/4 . . . . .	50-0499-9
21	Compressor Mounting Nut . . . . .	50-0500-9
22	Compressor Wiring Harness (Not Shown) . . . . .	20-0876-9
23	Clamp, Water Drain . . . . .	56-5070-9
24	Clamp, Expansion Valve Bulb . . . . .	56-5052-9
25	Copper Bulb Strap . . . . .	30-0083-3
26	Screw, #10-24 x .50 . . . . .	52-0206-9
27	Left Corner Post . . . . .	606343-9
28	Left Top Channel . . . . .	606864-9
29	Right Corner Post (Not Shown) . . . . .	606358-9
30	Right Top Channel (Not Shown) . . . . .	606359-9
31	Overmolded Tube Assembly (vinyl tubing from distribution tube to water pump & dump valve) . . . . .	000000868
	a. Clamp .859/.989 ID . . . . .	56-5060-3
	b. Clamp .799/.899 ID . . . . .	56-5070-3
32	Water Inlet Valve Tubing (Not Shown) . . . . .	44-2029-1
33	Connector (Water inlet valve) . . . . .	50-0531-9
34	Water Inlet Valve Bracket . . . . .	605845-9
35	<b>Check Valve Replacement</b> (includes water diverter, vinyl tubing & insulation) . . . . .	000002472
36	Holder, Water Level Probe . . . . .	20-0655-9
	a. Screw (mounts Water Level Probe Holder) . . . . .	52-0206-9

## S320 REFRIGERATION COMPARTMENT – AIR-COOLED



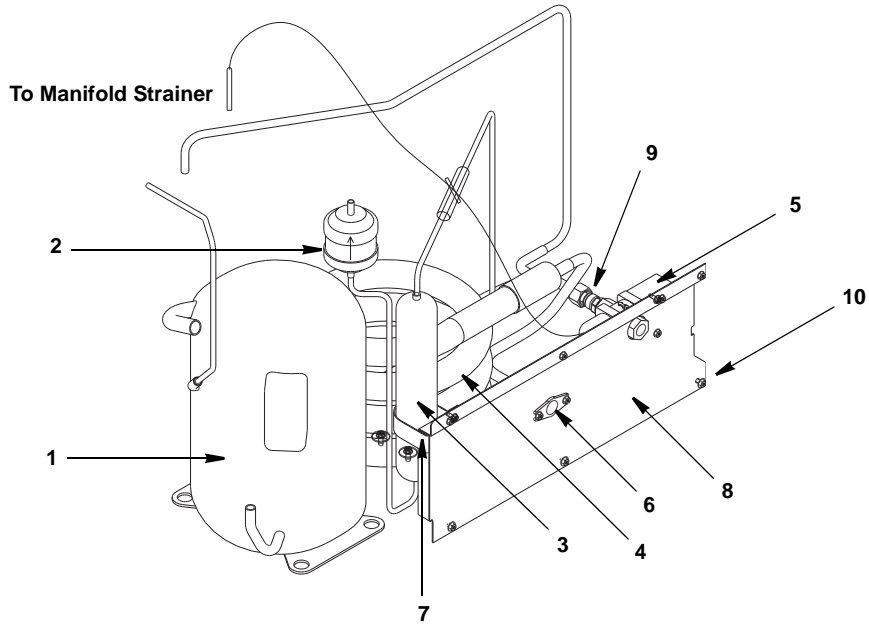
**DESCRIPTION**

	<b>DESCRIPTION</b>		<b>PART NO.</b>
1	Compressor (Refer to COMMON PARTS Page)	Page S320-4	
2	Air Condenser		88-5130-3
3	Fan Motor		
	a. 115V/60 Hz		24-1281-3
	b. 208-230V/60 Hz or 230V/50 Hz		24-1282-3
4	Fan Blade		24-1622-3
5	Fan Cycling Control		20-0126-3
6	Air Filter (Not shown)		30-0569-9
7	Drier		89-3025-9

**Miscellaneous – Brackets, Screws, etc.**

8	Air Filter Clip	† 56-5069-9
9	Fan Shroud	606546-9
10	Fan Motor Mounting Bracket	602743-1
11	Fan Motor Mounting Screw	50-2559-9
12	Screw, #10-24 x .50	† 52-0206-9

## S320 REFRIGERATION COMPARTMENT – WATER-COOLED



pt1200

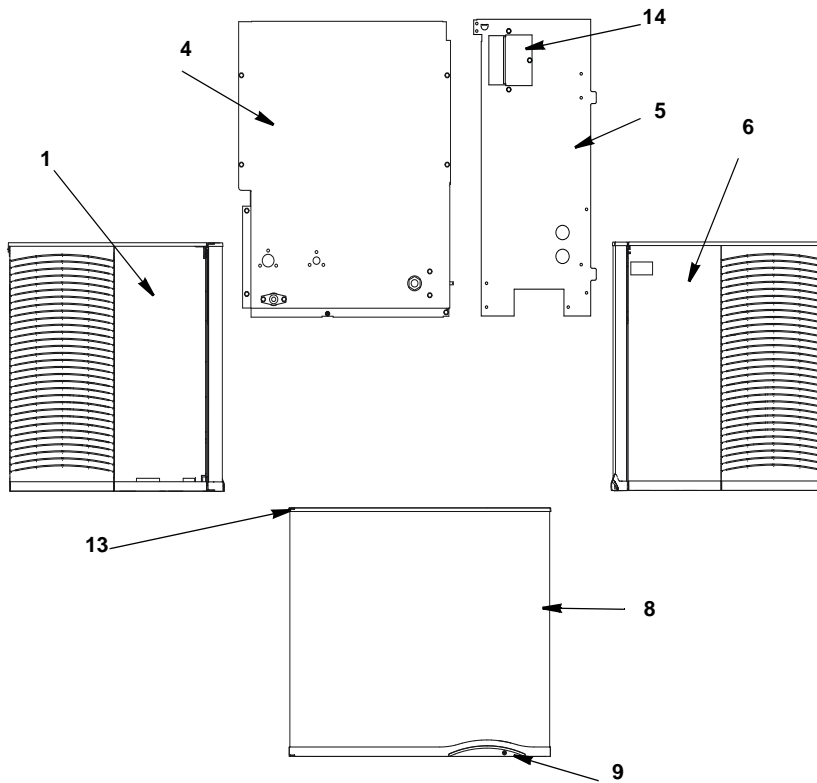
### DESCRIPTION

DESCRIPTION	PART NO.
1 Compressor (Refer to COMMON PARTS Page) . . . . .	Page S320-4
2 Drier . . . . .	89-3025-9
3 Receiver . . . . .	12-0003-1
4 Water-Cooled Condenser . . . . .	88-6532-3
5 Water Regulating Valve . . . . .	83-7206-9
6 Water Drain Female Wing Adapter . . . . .	87-0610-3

### Miscellaneous – Brackets, Screws, etc.

7 Receiver Strap . . . . .	600054-1
8 Back Panel . . . . .	606366-9
9 Elbow 3/8 MF x 3/8 MPT . . . . .	50-0215-9
10 Screw, #10-24 x .50 . . . . .	52-0206-3
11 Washer . . . . .	55-7341-9
12 Base, Water Condenser/Receiver . . . . .	605865-9

## S320 PANELS



### DESCRIPTION

DESCRIPTION	PART NO.
1 Left Side Panel . . . . .	606053-9
2 Air Baffle (Not Shown) . . . . .	606077-9
3 Air Filter (Not Shown) . . . . .	30-0569-9
4 Back Panel, Water . . . . .	606369-9
5 Back Panel, Air . . . . .	606360-9
6 Right Side Panel . . . . .	606052-9
7 Top Cover (Not Shown) . . . . .	40-1202-9
8 Front Door . . . . .	606344-1

### Miscellaneous – Brackets, Screws, etc.

9 Right/Left Door Screw . . . . .	50-0489-9
10 Front Top Support (Not shown) . . . . .	30-0573-9
a. Mounting Screw Left Side 8-32 x 1 . . . . .	50-0537-9
b. Front Cover Strike . . . . .	30-0602-9
11 Bottom Door Frame (Not Shown) . . . . .	76-0282-9
a. Mounting Screw Left Side 8-32 x 1 . . . . .	50-0509-9
b. Mounting Screw Right Side 10 x 24 x .50 PHIL. . . . .	52-0209-9
12 Door Catch Bracket (RHD) . . . . .	40-1265-9
a. Mounting Screw 8-32 x .875 Phil. . . . .	50-0489-9
13 Left Door Pivot Leaf Hinge (Top or Bottom) . . . . .	30-0557-9
a. Mounting Screw 10-24 x .5 TCS-23 PHIL/FL . . . . .	50-0537-9
14 Electrical Connection Box Cover . . . . .	606399-9
15 Sachet Holder (Not Shown - Inside Left Door) . . . . .	40-0459-3
a. Mounting Screws 8-32 x 3/8 . . . . .	50-0479-9