

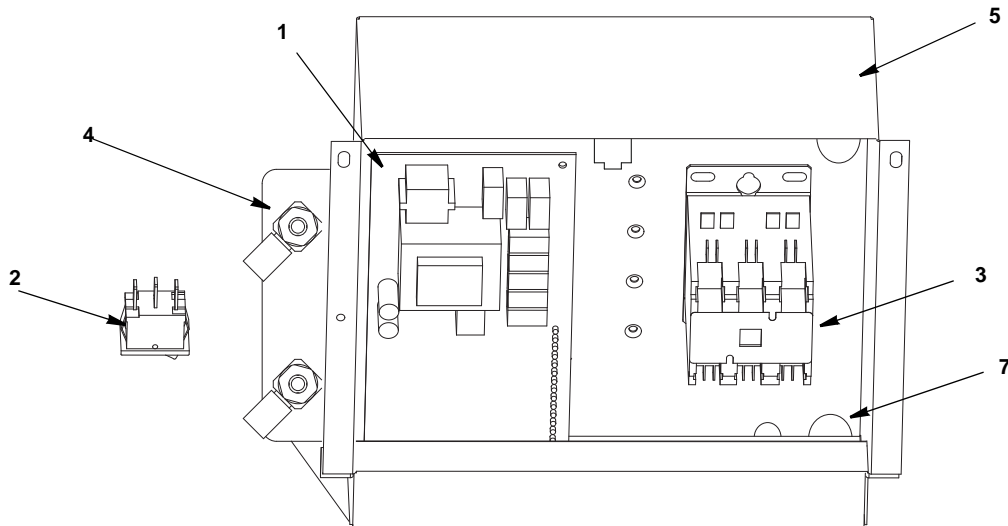


Ice Machine Parts List for Series S3300 Models

SD3303W

SY3305W

S3300 CONTROL BOX



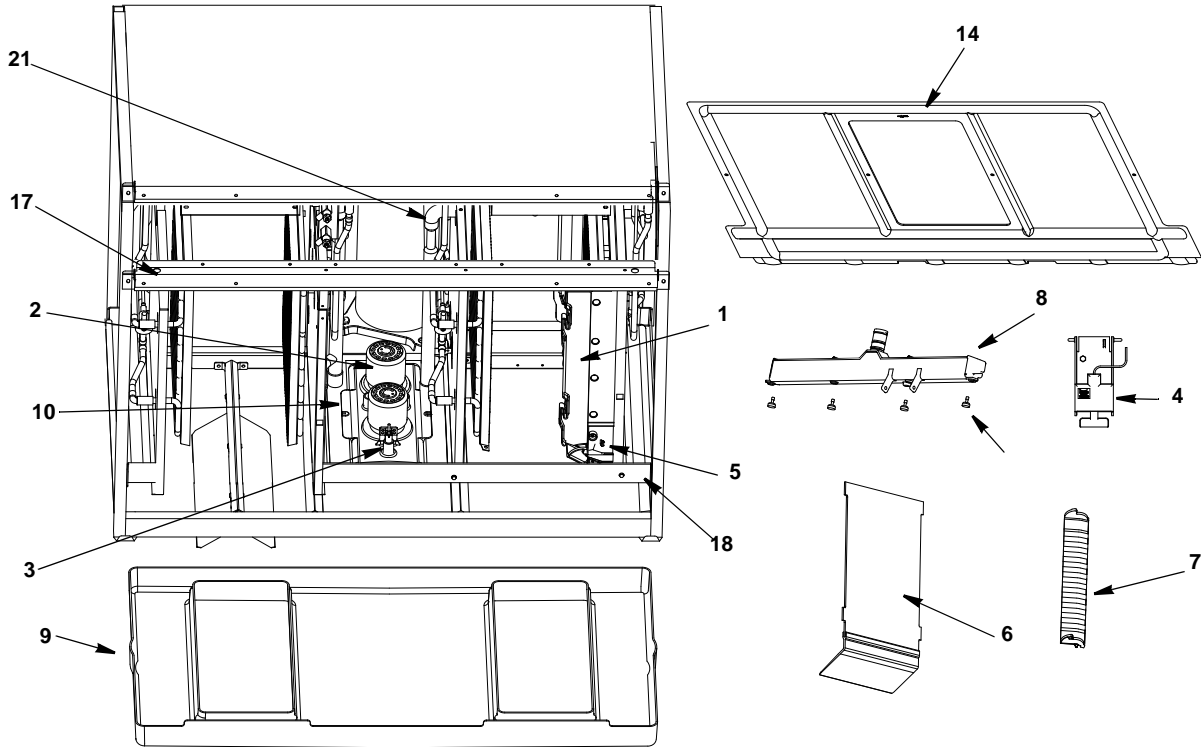
DESCRIPTION

DESCRIPTION	PART NO.
1 Control Board (for use with all voltages)	000003284
a. 7 Amp Fuse – Mounted on Control Board	25-1100-3
2 Toggle Switch Only	20-0793-9
a. Toggle Switch Wiring Harness	000002858
b. Toggle Switch Box	40-1163-9
3 Contactor	
a. 208-230V/60 Hz/3 Ph	20-0661-9
4 Refrigeration Service Valve Assembly	83-7325-3
a. Mounting Bracket	000003278

Miscellaneous – Brackets, Screws, etc.

5 Control Box	000003088
a. Control Box Cover (Not shown)	000003089
b. Control Box Bracket	606724-9
6 Control Board Mounting Supports (Not shown)	43-0225-3
7 Bushing	25-0219-3
8 Screw, #10-24 x .50 Ground	52-0216-9
a. Star Washer	55-7320-9
9 Screw, #10-24 x .50	52-0206-9
10 Wiring Harnesses (Not shown)	
a. Control Box 230/60/3	000002860
b. Harvest Air Assist Pump	
c. Curtain Switch	000002859
d. Bulkhead Water	000003253
e. Low Pressure Protection	000003260
f. Compressor	000003172
g. Water (incoming power supply)	000003170

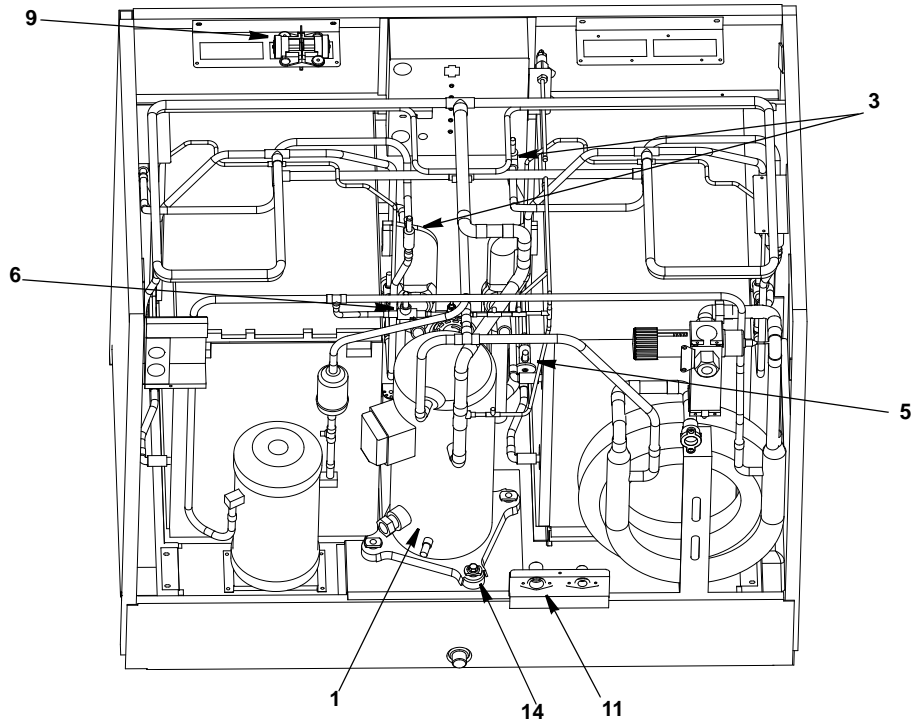
S3300 EVAPORATOR COMPARTMENT



DESCRIPTION

	DESCRIPTION	PART NO.
1	Evaporator Assembly	
	a. Dice Cube	00002783
	b. Half Dice Cube	00002784
2	Water Pump 230V/50 Hz	00000259
3	Water Level Probe	20-0654-9
	a. Holder	20-0655-9
	b. Bracket	00002070
	c. Wire, control box to probe	20-0798-9
	d. Screw (to mount water level probe holder)	52-0232-9
4	Ice Thickness Control Probe (not shown)	20-0802-9
	a. Clip (holds ice thickness probe wire to bulkhead)	56-5090-9
5	Magnetic Switch	00003168
	a. Covers	000001421
6	Splash Shields	00002785
7	Ice Damper Assembly	00002056
8	Water Distribution Tube Assembly	76-0219-3
	a. Molded Vinyl Tube (to Right Hand Distribution Tubes)	000001118
	b. Molded Vinyl Tube (to Left Hand Distribution Tubes)	000001117
	c. Barbed Fitting	000001986
	d. Clamp (for barbed fitting)	56-5060-9
	e. Clamp (vinyl tubes to distribution tubes)	56-5053-9
	f. Fitting (through bulkhead)	40-1469-3
	g. Fitting Bracket	000001923
	a. O-Rings (Back of Distribution Assembly)	50-0464-9
9	Water Trough	00002956
	Miscellaneous – Covers, Brackets, Screws, etc.	
10	Water Pump and Water Level Probe Mount	00002955
11	Screw, (Water Distribution Tube Mounting) Each	50-0479-9
	a. O-Ring	50-0462-9
12	Screw, #12-16 x .687 Used to Mount Evaporator (Each)	50-0461-9
13	Evaporator Top Covers	000003107
14	Evaporator Front Cover	00002993
15	Evaporator Top Filler Covers	000002176
16	Evaporator Bottom Covers	000001416
17	Evaporator Top Support	000003026
18	Evaporator Bottom Support	000003025
19	Screw, #12-16 x .687 Used to Mount Evaporator	50-1231-9
20	Water Level Probe	
	a. Holder	20-0655-9
	b. Bracket	000003355
	c. Screw to Mount Water Level Probe Holder	52-0206-9
21	Molded Vinyl Tubing	
	a. Water Pump to Distribution Tube (Evaporators 1 & 3)	000003112
	b. Water Pump to Distribution Tube (Evaporators 2 & 4)	000003111
	c. Cross Over (Connects 1 & 2 and 3 & 4)	000003113

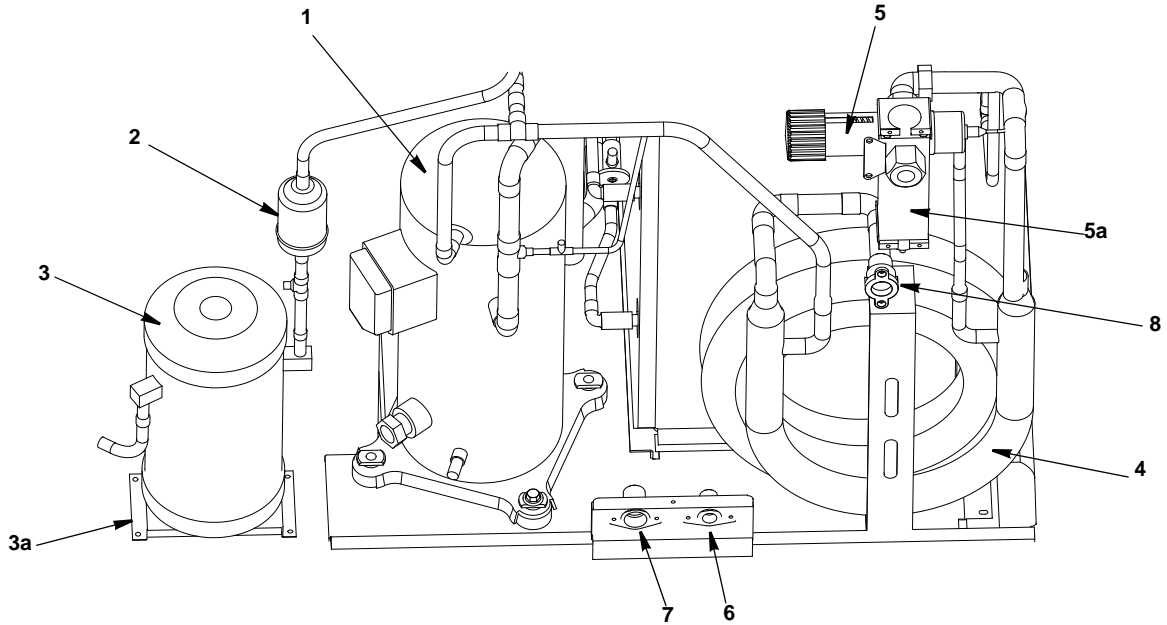
S3300 REFRIGERATION COMPARTMENT



DESCRIPTION

	DESCRIPTION	PART NO.
1	Compressor	
	a. 208-230V/60 Hz/3 Ph	82-5018-3
2	Water Dump Valve	
	a. Dump Valve, 208-230V/50-60 Hz	000000031
3	Harvest Valve	
	a. Harvest Valve Including 208/230V 50/60 Hz Electrical Coil Danfoss	76-3010-1
	b. Harvest Valve 208/230V 50/60 Hz Coil Only Danfoss	000005157
4	Water Inlet Valve Including 208-240V/50-60 Hz Coil	000002884
5	Expansion Valve	000003158
	a. Expansion Valve Body Insulation Boot	40-0040-3
	b. Expansion Valve Bulb Insulation Boot	40-0092-3
6	Liquid Line Solenoid Valve	82-5135-3
7	High Pressure Cut-out (Auto Reset)	20-0124-3
8	Low Pressure Cut-out	20-0222-9
9	Air Compressor	
	a. Air Compressor Pumps 230V	20-0935-3
	b. Manifold Tee (Air Pump Tubing Outlet)	40-1173-3
	c. Nozzle	30-0145-3
	d. Bracket	000003106
Miscellaneous – Brackets, Screws, etc.		
10	Water Drain	
	a. Female Wing Adapter	87-0609-3
	b. Clear Tubing, .625 ID x 12 inches	44-2038-3
	c. Clamp	56-5070-9
11	Water Inlet Valve	
	a. Tubing	40-1043-9
	b. Connector	13-6098-9
	c. Bracket	000002064
	d. Wing Adapter	87-0608-3
	e. Wing Adapter Plastic Fitting	13-6096-1
12	Water Dump Valve	
	a. Mounting Bracket	000003257
	b. Tubing	000003110
13	Compressor Mounting	
	a. Base	000003028
	b. Support Bracket	000003086
	c. Rubber Grommet	85-0485-9
	d. Sleeve	85-0394-9
	e. Bolt	50-0481-9
	f. Nut	50-0482-9
14	Heat Exchanger Mounting Bracket	000003352
15	Clamp, Expansion Valve Bulb	56-5052-9
16	Copper Bulb Strap	30-0050-3
17	Screw, #10-24 x .50	52-0206-9

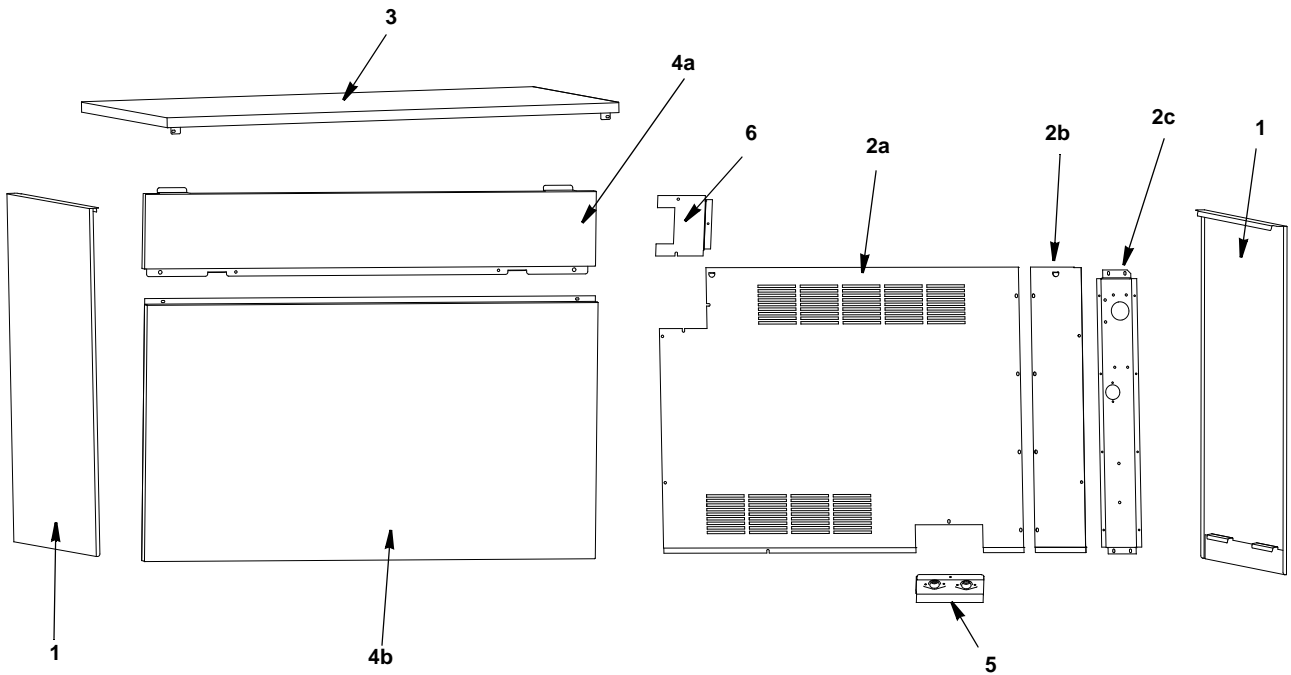
S3300 REFRIGERATION COMPARTMENT – WATER-COOLED



DESCRIPTION

	PART NO.
1 Compressor 208-230V/60 Hz/3 Ph	82-5018-3
2 Drier (DML0845S)	000002883
3 Receiver	000002869
a. Mounting Bracket	000003256
4 Water-Cooled Condenser (with Mounting Bracket)	000002857
5 Water Regulating Valve	
a. Normal Pressure (up to 275 psig)	000003196
b. High Pressure (up to 350 psig)	000002875
c. Mounting Bracket	000003279
6 Water Drain Female Wing Adapter	87-0609-3
7 Water Inlet Female Wing Adapter	87-0603-3
8 Water-Cooled Condenser Drain Fitting	000003087

S3300 PANELS



DESCRIPTION

	DESCRIPTION	PART NO.
1	Side Panels	000002811
2	Back Panels	
	a. Large Left Panel	000003259
	b. Small Right Panel	000003258
	c. Water Condenser Support Panel	000003029
3	Top Cover	000002814
4	Front Panel	
	a. Upper	000002817
	b. Lower	000002816
5	Water In/Out Panel	000003255
6	Electrical Connection	
	a. Box	000003991
	b. Cover	000003993