



## **Ice Machine Parts List for Series S450 Models**

**SD0452A**

**SY0454A**

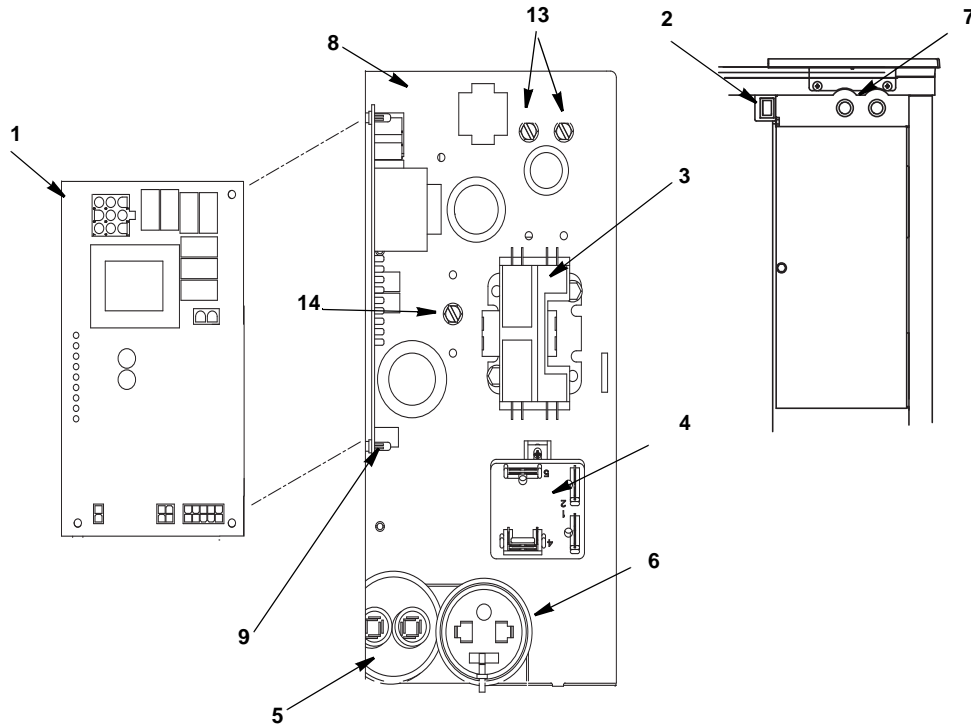
**SD0453W**

**SY0455W**

**SR0450A**

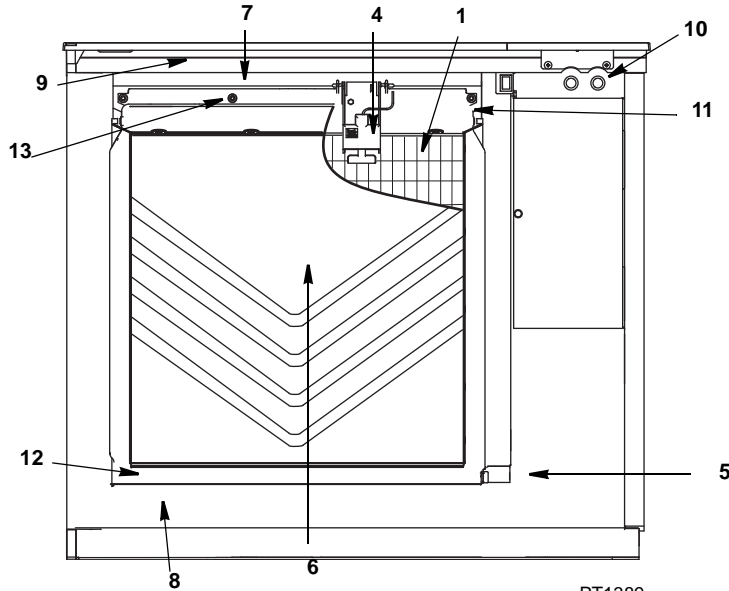
**SR0451W**

# S450 CONTROL BOX

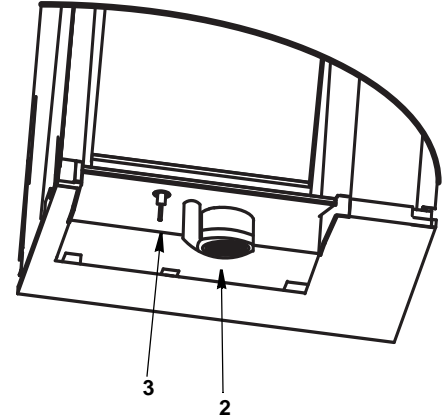


1	<b>Control Board</b> (for use with all voltages) . . . . .	20-0619-9
	a. 7 Amp Fuse – Mounted on Control Board . . . . .	25-1100-3
2	<b>Toggle Switch</b> Only . . . . .	20-0793-9
	a. Toggle Switch Wiring Harness . . . . .	20-0807-9
	b. Toggle Switch Box . . . . .	40-1163-9
3	<b>Contactor</b>	
	a. 115V/60 Hz/1 Ph. . . . .	20-0658-9
	b. 208-230V/60 Hz/1 Ph 230V/50 Hz/1 Ph . . . . .	20-0659-9
4	<b>Potential Start Relay</b>	
	115V/60 Hz/1 Ph. . . . .	20-0205-3
	208-230V/50/60 Hz/1 Ph . . . . .	20-0792-9
	a. 60 cycle Only - Danfoss SC18MLX.3 - Before Serial Number 110667970 . . . . .	20-0763-9
5	<b>Compressor Run Capacitor</b>	
	115V/60 Hz/1 Ph. . . . .	20-1014-3
	208-230V/50/60 Hz/1 Ph	
	a. Danfoss SC15MLX.2 - Before Serial Number 110667970 . . . . .	85-0400-3
	b. Danfoss SC18MLX.3 - Before Serial Number 110667970 . . . . .	20-0949-3
	c. After Serial Number 110667970 . . . . .	85-0400-3
6	<b>Start Capacitor</b>	
	115V/60 Hz/1 Ph. . . . .	85-0577-3
	208-230V/50/60 Hz/1 Ph	
	a. Danfoss SC15MLX.2 - Before Serial Number 110667970 . . . . .	000000022
	b. Danfoss SC18MLX.3 - Before Serial Number 110667970 . . . . .	000000022
	c. After Serial Number 110667970 . . . . .	85-0383-3
7	<b>Refrigeration Service Valve Assembly</b> . . . . .	83-7326-3
<b>Miscellaneous – Brackets, Screws, etc.</b>		
8	Control Box - control board (Not shown) . . . . .	606390-9
	a. Control Box Side Cover (Not shown) . . . . .	76-0273-9
	b. Control Box Front Cover (Not shown) . . . . .	606392-9
9	Control Board Mounting Supports (Not shown) . . . . .	43-0225-3
10	Control Board Bushings . . . . .	25-0016-9
11	Start Components Electrical Box . . . . .	606394-9
	a. Start Components Electrical Box Cover . . . . .	76-0272-9
12	Capacitor Mounting Strap . . . . .	50-0530-9
13	Screw, #10-24 x .50 Ground. . . . .	52-0216-9
	a. Star Washer . . . . .	55-7320-9
14	Screw, #10-24 x .50 . . . . .	52-0206-9
15	Control Box Wiring Harness (Not shown)	
	a. 115/60/1 . . . . .	20-0859-9
	b. 230/60/1 . . . . .	20-0860-9
	c. 230/50/1 . . . . .	20-0861-9
	d. Ground Wire . . . . .	20-0869-9

## S450 EVAPORATOR COMPARTMENT



PT1389

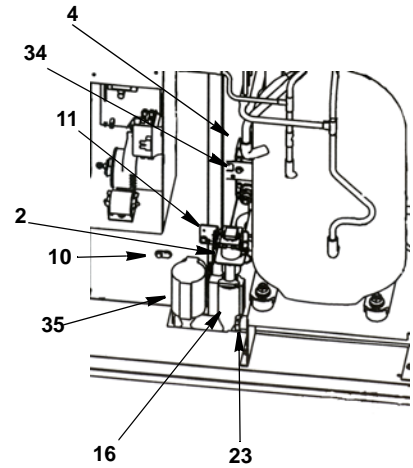
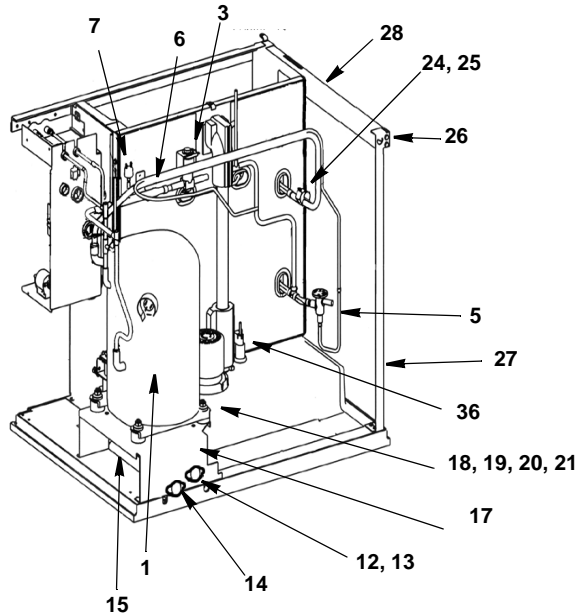


PT1390

### DESCRIPTION

	PART NO.
<b>1 Evaporator Assembly</b>	
a. Dice Cube . . . . .	76-0287-9
b. Half Dice Cube . . . . .	76-0288-9
<b>2 Water Pump</b>	
a. 115V/60/1 PH . . . . .	20-0892-9
b. 230V/60/1 PH . . . . .	20-0893-9
c. 230V/50/1 PH . . . . .	20-0894-9
<b>3 Water Level Probe . . . . .</b>	20-0654-9
a. Wire, control box to probe . . . . .	20-0798-9
<b>4 Ice Thickness Control Probe . . . . .</b>	20-0802-9
<b>5 Magnetic Bin Switch . . . . .</b>	20-0681-9
<b>6 Water Curtain . . . . .</b>	40-1118-9
<b>7 Water Distribution Assembly . . . . .</b>	76-0278-9
a. O-Rings (Back of Distribution Assembly) . . . . .	50-0464-9
<b>8 Water Trough</b>	
a. Before Serial Number 110670157 . . . . .	40-0360-9
b. After Serial Number 110670157 . . . . .	000002106
<b>9 Evaporator Top Filler Panel . . . . .</b>	40-0846-9
a. Filler Panel Bracket . . . . .	606333-9
b. Bracket Screw . . . . .	52-0209-9
<b>10 Access Valve . . . . .</b>	83-7326-3
<b>11 Evaporator Top Frame Assembly . . . . .</b>	76-0279-9
<b>12 Water Diverter . . . . .</b>	76-0277-9
a. Thumbscrew . . . . .	53-0512-3
<b>Miscellaneous – Brackets, Screws, etc.</b>	
<b>13 Screw, (Water Distribution Tube Mounting) Each . . . . .</b>	50-0479-9
a. O-Ring . . . . .	50-0462-9
<b>14 Screw, #12-16 x .687 (Used to Mount Evaporator) Each . . . . .</b>	50-0461-9
<b>15 Water Pump Base O-Ring . . . . .</b>	50-0465-9
<b>16 Water Pump Outlet O-Ring . . . . .</b>	50-0467-9
<b>17 Vinyl Tubing 0.625 ID (dump valve to drain adapter) . . . . .</b>	000001382
a. Insulation . . . . .	603883-1

## S450 REFRIGERATION COMPARTMENT – COMMON PARTS



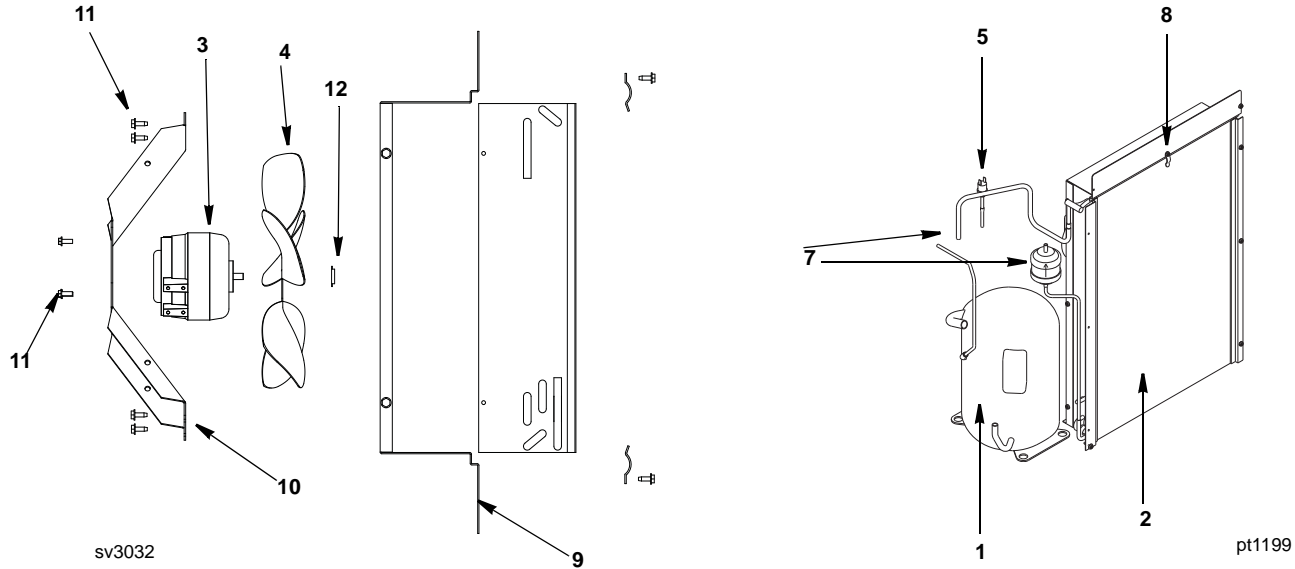
### DESCRIPTION

		PART NO.
<b>1</b>	<b>Compressor</b>	
	<b>115V/60 Hz/1 Ph</b>	
	a. Before Serial Number 110670157 . . . . .	76-0294-3
	Overload . . . . .	82-5297-3
	b. After Serial Number 110670157 . . . . .	000003919
	Overload . . . . .	82-5140-3
	<b>208-230V/60 Hz/1 Ph</b>	
	a. Before Serial Number 110670157 . . . . .	76-0295-3
	b. After Serial Number 110670157 . . . . .	000003920
	<b>208-230V/50 Hz/1 Ph</b>	
	a. Before Serial Number 110670157 . . . . .	76-0296-3
	b. After Serial Number 110670157 . . . . .	000003920
<b>2</b>	<b>Water Dump Valve</b>	
	a. 115V/60 Hz . . . . .	000001767
	b. 208-230V/50-60 Hz . . . . .	000001768
	<b>Dump Valve Rebuild Kit</b> . . . . .	No Longer Available
<b>3</b>	<b>Harvest Valve Including Electrical Coil</b>	
	a. 115V/60 Hz . . . . .	76-3001-1
	b. 208-230V/50-60 Hz . . . . .	76-3007-1
	<b>Harvest Valve Coil Only</b>	
	a. 115V/60 Hz . . . . .	000005156
	b. 208-230V/50-60 Hz . . . . .	000005157
<b>4</b>	<b>Water Inlet Valve with Coil</b>	
	a. 115V/60 Hz . . . . .	000000377
	b. 208-230V/50/60 Hz . . . . .	000000378
<b>5</b>	<b>Expansion Valve</b>	
	a. Before Serial Number 110670157 . . . . .	76-0286-9
	b. After Serial Number 110670157 . . . . .	76-0290-3
	c. Expansion Valve Body Insulation Boot . . . . .	40-1329-9
	d. Expansion Valve Bulb Insulation Boot . . . . .	40-0720-3
<b>6</b>	Manifold Strainer (in front of hot gas valve) . . . . .	82-5100-3
<b>7</b>	High Pressure Cut-out (Auto Reset) . . . . .	20-0124-3
<b>8</b>	<b>Electrical Box on Rear of Ice Machine</b>	
	a. Box . . . . .	Included in Back Panel Assembly
	b. Terminal Block 3 Pole . . . . .	20-0614-3
	c. Groundscrew #10-24 x .50 . . . . .	52-0216-9
<b>9</b>	<b>Compressor Compartment Wiring Harness</b>	
	a. Water . . . . .	20-0732-9
	b. Air . . . . .	20-0731-9
<b>10</b>	Bin Switch . . . . .	20-0681-9

**Miscellaneous – Brackets, Screws, etc.**

11	Dump Valve Mounting Bracket . . . . .	605845-9
12	Water Inlet Valve Wing Adapter . . . . .	87-0609-3
13	Water Inlet Valve Wing Adapter Plastic Fitting . . . . .	13-6096-1
14	Water Drain Female Wing Adapter . . . . .	87-0608-3
15	Water Drain Clear Tubing, .625 ID x 12 inches . . . . .	44-2038-3
16	Dump Valve Tubing (3.25 inches) . . . . .	44-2038-3
17	Compressor Mounting Base . . . . .	606170-9
18	Compressor Mounting Rubber Grommet . . . . .	50-0089-9
19	Compressor Mounting Sleeve . . . . .	50-0090-9
20	Compressor Mounting Screw 1/4-20 x 1 1/4 . . . . .	50-0499-9
21	Compressor Mounting Nut . . . . .	50-0500-9
22	Compressor Wiring Harness (Not Shown) . . . . .	20-0855-9
23	Clamp, Water Drain . . . . .	56-5070-9
24	Clamp, Expansion Valve Bulb . . . . .	56-5052-9
25	Copper Bulb Strap . . . . .	30-0083-3
26	Screw, #10-24 x .50 . . . . .	52-0206-9
27	Left Corner Post	
	a. Air . . . . .	606190-9
	b. Water . . . . .	606293-9
28	Left Top Channel . . . . .	606864-9
29	Right Corner Post (Not Shown) . . . . .	606292-9
30	Right Top Channel (Not Shown) . . . . .	606257-9
31	Insulated Tube (vinyl tubing from distribution tube to water pump & dump valve) . . . . .	000003405
	a. Clamp .859/.989 ID . . . . .	56-5060-3
	b. Clamp .799/.899 ID . . . . .	56-5070-3
32	Water Inlet Valve Tubing (Not Shown) . . . . .	40-1043-9
33	Connector (Water inlet valve) . . . . .	13-6098-9
34	Water Inlet Valve Bracket . . . . .	605845-9
35	<b>Check Valve Replacement</b> (includes water diverter, vinyl tubing & insulation) . . . . .	000002472
36	Holder, Water Level Probe . . . . .	20-0655-9
	a. Screw (mounts Water Level Probe Holder) . . . . .	52-0206-9

## S450 REFRIGERATION COMPARTMENT – AIR-COOLED



### DESCRIPTION

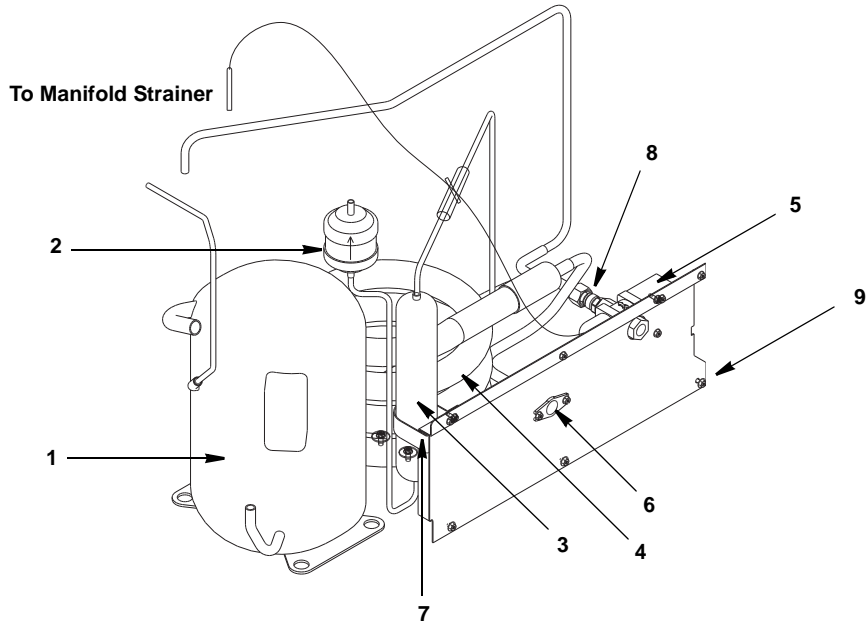
	<b>PART NO.</b>
1 Compressor (Refer to COMMON PARTS Page) .....	Page S450-4
2 Air Condenser .....	82-5212-9
3 Fan Motor	
a. 115V/60 Hz .....	24-1292-9
b. 208-230V/60 Hz or 230V/50 Hz .....	24-1293-9
4 Fan Blade .....	24-1620-3
5 Fan Cycling Control .....	† 20-0126-3
6 Air Filter (Not shown) .....	30-0593-3
7 Drier .....	89-3025-9

### Miscellaneous – Brackets, Screws, etc.

8 Air Filter Clip .....	† 56-5069-9
9 Fan Shroud .....	606168-9
10 Fan Motor Mounting Bracket .....	606186-9
11 Screw, #10-24 x .50 .....	† 52-0206-9
12 Hex Nut #8-32 .....	54-2913-9

† Refer to Cross Reference Guide

## S450 REFRIGERATION COMPARTMENT – WATER-COOLED



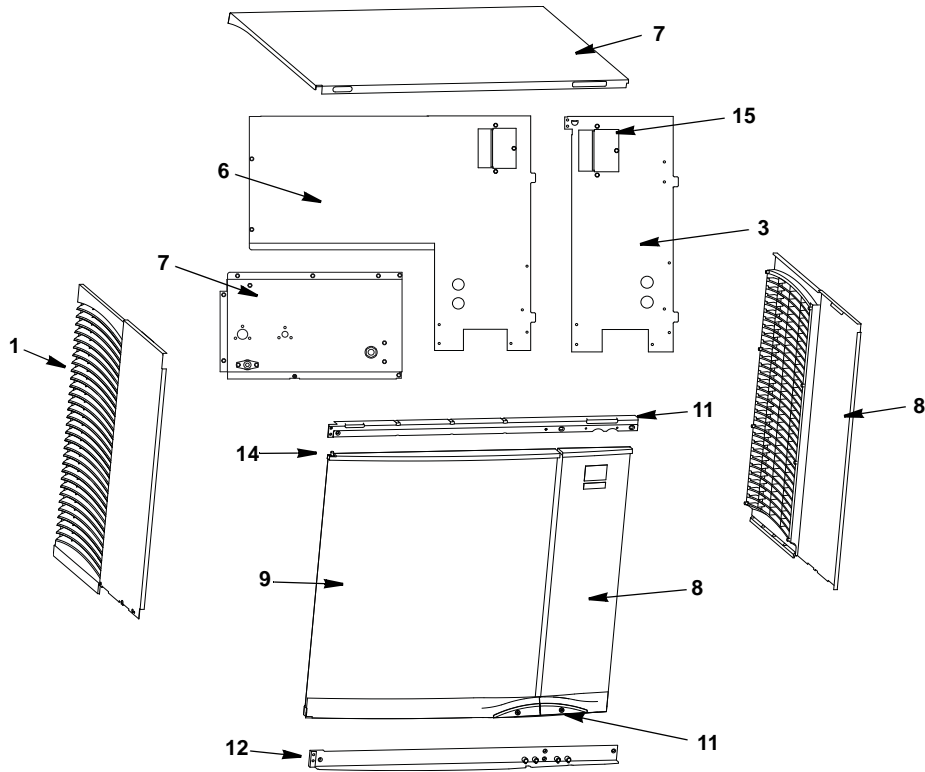
### DESCRIPTION

DESCRIPTION	PART NO.
1 Compressor (Refer to COMMON PARTS Page) . . . . .	Page S450-4
2 Drier . . . . .	89-3025-9
3 Receiver . . . . .	12-0003-1
4 Water-cooled Condenser . . . . .	000000046
5 Water Regulating Valve . . . . .	83-7206-9
6 Water Drain Female Wing Adapter . . . . .	87-0610-3

### Miscellaneous – Brackets, Screws, etc.

7 Receiver Strap . . . . .	600054-1
8 Elbow 3/8 MF x 3/8 MPT . . . . .	50-0215-9
9 Screw, #10-24 x .50 . . . . .	52-0206-3
10 Washer . . . . .	55-7341-9
11 Base, Water Condenser/Receiver . . . . .	605865-9

# S450 PANELS



## DESCRIPTION

	<b>PART NO.</b>
1 Left Side Panel .....	606053-9
2 Right Side Panel .....	606052-9
<b>Air-Cooled Back Panels)</b>	
3 Back Panel with Electrical Connection Box, Air-cooled Models .....	606203-9
4 Air Filter (Not Shown) .....	30-0593-9
5 Air Baffle (Not Shown) .....	606077-9
<b>Water-Cooled Back Panels)</b>	
6 Back Panel with Electrical Connection Box, Water-cooled Models .....	606297-9
7 Back Coupling Panel, Water Connections .....	606173-9
<b>Aluminum Front Top Support on machine (replace all)</b>	
8 Top Cover .....	40-1548-3
9 Right Door .....	607166-1
10 Left Door .....	607165-1
11 Front Top Rail .....	000000295
Mounting Screw Left Side 8-32 x 1 .....	50-0537-9
Mounting Screw Right Side 10-24 x .50 .....	50-0509-9
<b>Plastic Front Top Support on machine (replace as needed)</b>	
7 Top Cover .....	40-1548-3
8 Right Door .....	607166-1
9 Left Door .....	607165-1
10 Front Top Rail .....	000000295
Mounting Screw Left Side 8-32 x 1 .....	50-0537-9
Mounting Screw Right Side 10-24 x .50 .....	50-0509-9
<b>Miscellaneous – Brackets, Screws, etc.</b>	
11 Right/Left Door Screw .....	50-0489-9
12 Bottom Door Frame (Not Shown) .....	76-0226-3
a. Mounting Screw Left Side 8-32 x 1 .....	50-0537-9
b. Mounting Screw Right Side 10 x 24 x .50 PHIL .....	52-0206-9
13 Door Catch Bracket (RHD) .....	606236-9
a. Mounting Screw 8-32 x .50 Phil .....	50-2624-9
14 Left Door Pivot Leaf Hinge (Top or Bottom) .....	30-0557-9
a. Mounting Screw 10-24 x .5 TCS-23 PHIL/FL .....	50-0537-9
15 Electrical Connection Box Cover .....	Included in Back Panel Assembly
16 Sachet Holder (Not Shown - Inside Left Door) .....	40-0459-3
a. Mounting Screws 8-32 x 3/8 .....	50-0479-3
17 Top Air Discharge Kit Option (replaces standard top and side panels to discharge air out of top of machine) .....	K00379
a. Top Cover Only .....	000000480
b. Left Side Panel Only .....	606675-1
c. Right Side Panel Only .....	606676-1
d. Screws 10-24 x 1/2 .....	52-0209-9