

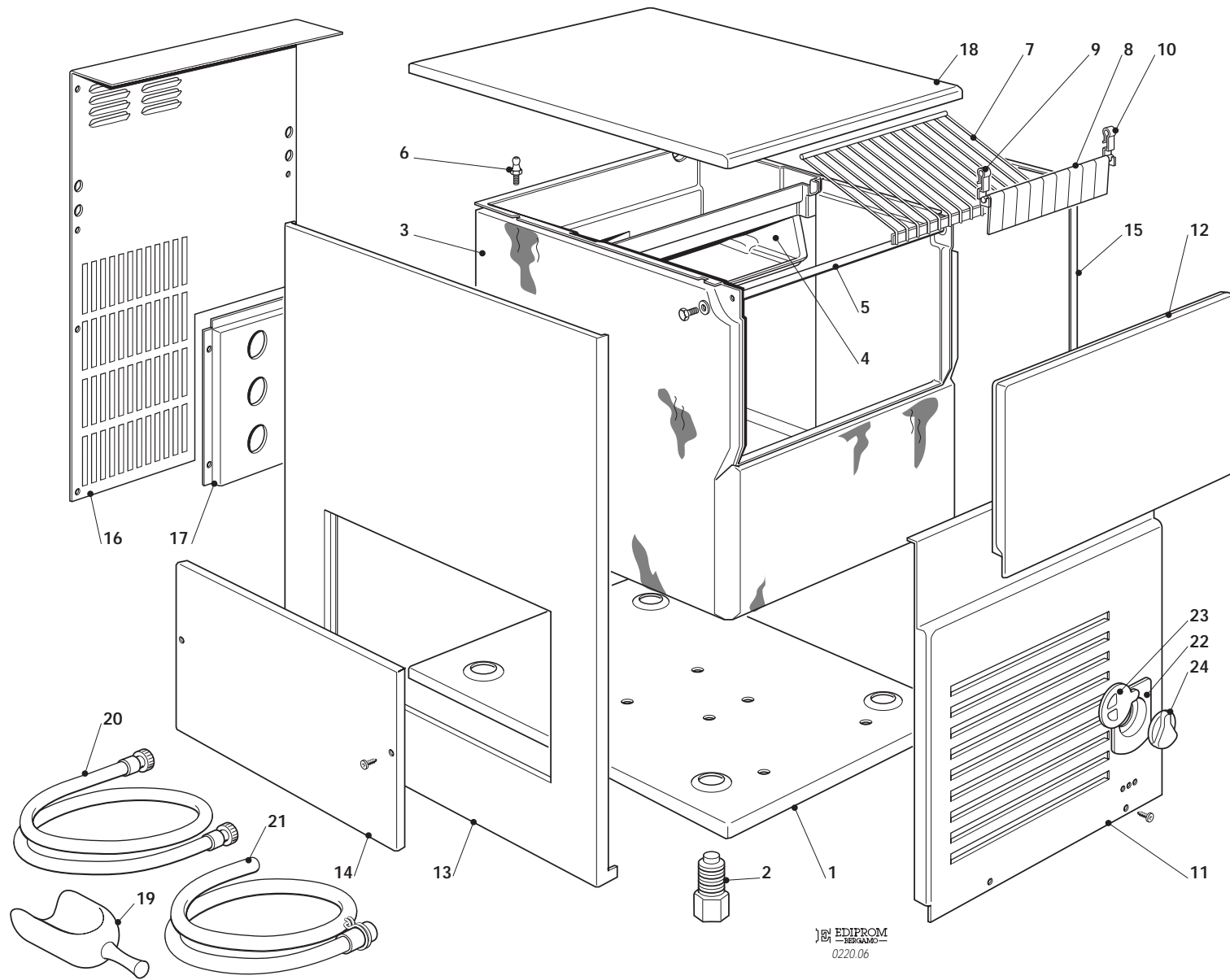
# **SIMAG**

## **SD 18**

### **R 134 A VERSION**

**SPARE PARTS LIST  
CATALOGO RICAMBI  
CATALOGUE PIÈCES DÉTACHÉES  
ERSATZTEILENKATALOG**

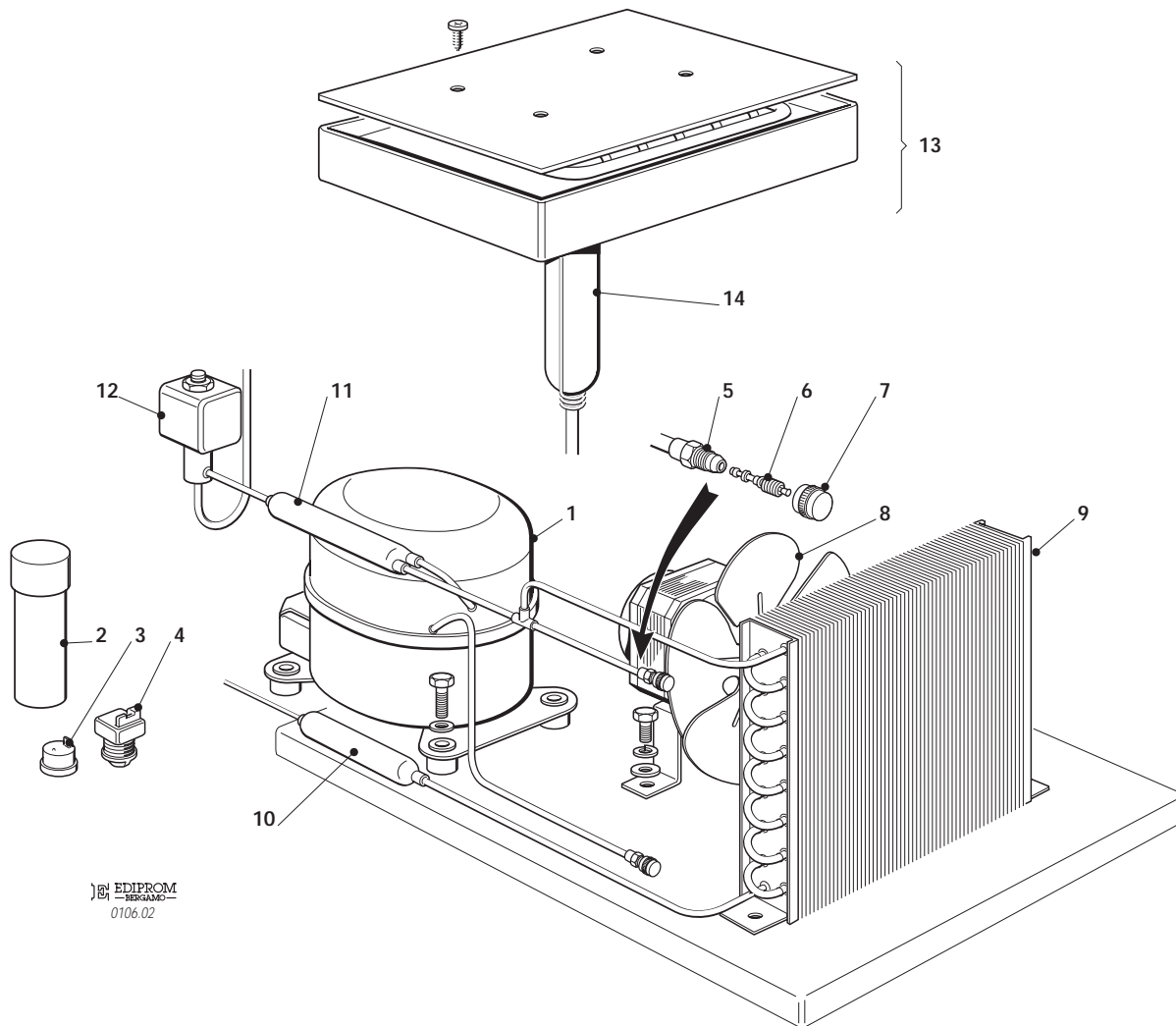
| PAGE<br>PAGINA<br>PAGE<br>SEITE | TABLE OF CONTENTS                           | INDICE                                        | TABLE DES MATIERES                                 | INHALTVERZEICHNIS                        |
|---------------------------------|---------------------------------------------|-----------------------------------------------|----------------------------------------------------|------------------------------------------|
| 1                               | TABLE OF CONTENTS                           | INDICE                                        | TABLE DES MATIERES                                 | INHALTVERZEICHNIS                        |
| 2/3                             | UNIT PANELS                                 | ASSIEME MOBILE                                | ENS. CAROSSERIE                                    | MACHINE GEHAUSE                          |
| 4/5                             | REFRIGERANT SYSTEM<br>AIR COOLED            | SISTEMA REFRIGERANTE<br>RAFFR. AD ARIA        | CIRCUIT FRIGORIFIQUE<br>REFROID. A AIR             | GEFRIERSYSTEM<br>LUFTGEKUEHLT            |
| 6/7                             | WATER SYSTEM                                | CIRCUITO IDRAULICO                            | CIRCUIT HYDRAULIQUE                                | WASSER SYSTEM                            |
| 8/9                             | CONTROL BOX                                 | SCATOLA DI CONTROLLO                          | BOITE ELECTRIQUE                                   | SCHALTSCHRANK                            |
| 10                              | COMPRESSOR AND ELECTRIC<br>COMPONENT CHARTS | TABELLA COMPRESSORI E<br>COMPONENTI ELETTRICI | LISTE DES COMPRESSEURS<br>ET COMPOSANTS ELECTRIQUE | KOMPRESSOR UND ELEKTRISCHER<br>TEILLISTE |



EDIPROM  
- BERGAMO -  
0220.06

## SD 18 - UNIT PANELS - ASSIEME MOBILE - ENS. CARROSSERIE - MACHINE GEHAUSE

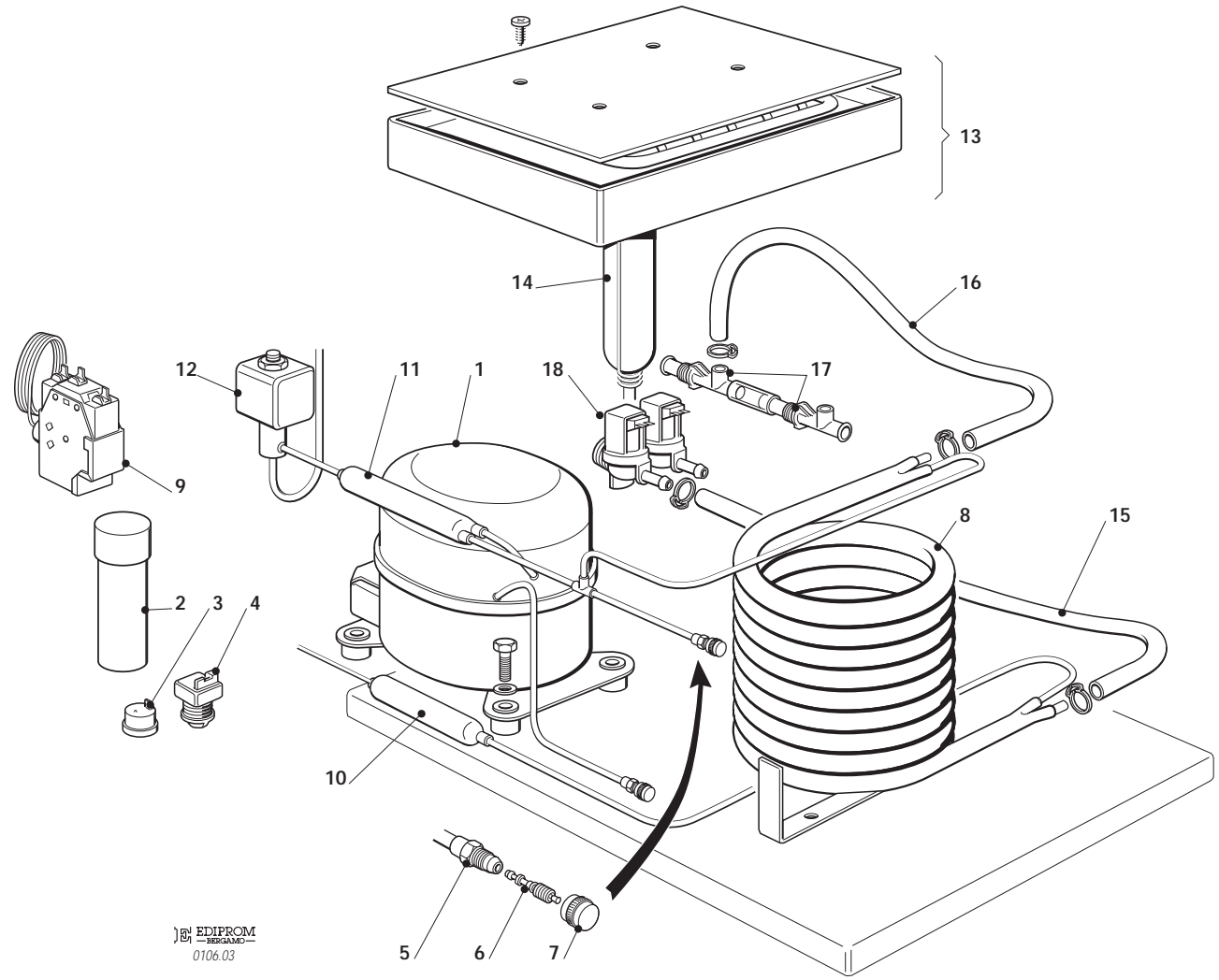
| ITEM NO<br>POS NO<br>REP. NO<br>REF. NO | PART NO<br>CODICE<br>REFERENCE<br>STUECK NR | DESCRIPTION               | DESCRIZIONE                 | DESIGNATION              | BESCHREIBUNG                  |
|-----------------------------------------|---------------------------------------------|---------------------------|-----------------------------|--------------------------|-------------------------------|
| 1                                       | 702245 00                                   | BASE                      | PIASTRINA DI BASE           | PLAQUE DE BASE           | GRUNDPLATTE                   |
| 2                                       | 650382 01                                   | LEG                       | PIEDE REGOLABILE            | PIED RÉGLABE             | GERÄTEFUSS                    |
| 3                                       | 782093 00R                                  | INSULATED BIN ASSY        | ASSIEME CELLA ISOLATA       | ENS. CABINE              | ISOLIEREISSPEICHER            |
| 4                                       | 660627 00                                   | EVAPORATOR HOUSING        | INVOLUCRO EVAPORATORE       | CHAMBRE INTERIEUR        | CELLE INTERN                  |
| 5                                       | 732016 06                                   | BIN DOOR BRACKET          | ASTA PORTELLO               | TIGE PORTE               | KLAPPENACHSE                  |
| 6                                       | 650697 00                                   | STUD                      | PERNO                       | AXE                      | STIFT                         |
| 7                                       | 650705 00                                   | ICE DEFLECTOR             | GRIGLIA SCORRIMENTO CUBETTI | GRILLE GLISSEMENT GLAÇON | ABGLEITGRILL                  |
| 8                                       | 783171 00R                                  | CURTAIN ASSY              | ASSIEME TENDINA             | ENS. LAMELLE             | ABDECKKLAPPE GESAMTHEIT       |
| 9                                       | 660388 00                                   | RIGHT CURTAIN SUPPORT     | SUPP. TENDINA DESTRO        | SUPP. LAMELLE DROITE     | RECHTE ABDECKKLAPPE HALTERUNG |
| 10                                      | 660388 01                                   | LEFT CURTAIN SUPPORT      | SUPP. TENDINA SINISTRO      | SUPP. LAMELLE GAUCHE     | LINKE ABDECKKLAPPE HALTERUNG  |
| 11                                      | 721682 01                                   | FRONT PANEL S.S.          | PANNELLO ANTERIORE INOX     | PANNEAU AVANT ACIER INOX | VORDERWAND EDELSTAHL          |
| 12                                      | 782092 00R                                  | BIN DOOR                  | SPORTELLO                   | PORTE CABINE             | SPEICHERTUER                  |
| 13                                      | 060565 00                                   | LEFT SIDE PANEL S.S.      | PANNELLO SINISTRO INOX      | JOUE GAUCHE ACIER INOX   | LINKE GEHÄUSESEITE EDELSTAHL  |
| 14                                      | 702026 01                                   | SERVICE PANEL             | PANNELLO DI ISPEZIONE       | PANNEAU DE SERVICE       | SERVICE PANEL                 |
| 15                                      | 060565 01                                   | RIGHT SIDE PANEL S.S.     | PANNELLO DESTRO INOX        | JOUE DROITE ACIER INOX   | RECHTEGEHÄUSESEITE EDELSTAHL  |
| 16                                      | 702222 00                                   | REAR PANEL                | PANNELLO POSTERIORE         | PANNEAU POSTERIEUR       | HINTERE ABDECKUNG             |
| 17                                      | 702246 00                                   | METAL BRACKET FOR FITTING | SUPPORTO ATTACCHI           | SUPPORT DE RACCORDS      | METALLTRÄGER                  |
| 18                                      | 781405 00 R                                 | TOP PANEL S.S.            | PANNELLO SUPERIORE INOX     | ENS. COUVERCLE           | DECKEL GESAMTHEIT             |
| 19                                      | 650071 00                                   | ICE SCOOP                 | SESSOLA                     | SASSE                    | EISSCHAUFEL                   |
| 20                                      | 060513 00                                   | KIT WATER SUPPLY PIPE     | KIT TUBO ALIM. ACQUA        | KIT TUYAU D'ALIM. EAU    | WASSER ANSCHLUSSSCHLAUCH      |
| 21                                      | 060513 01                                   | KIT WATER DRAIN PIPE      | KIT TUBO SCARICO ACQUA      | KIT TUYAU VIDANGE EAU    | WASSER SLAUFSCHLAUCH          |
| 22                                      | 660717 00                                   | PLASTIC HOUSING           | ALLOGGIAMENTO TERM.         | ENCADREMENT THER.        | THERM. PLASTIK SITZ           |
| 23                                      | 660715 00                                   | PLASTIC COVER             | COPERCHIO                   | COUVERCLE                | DECKEL                        |
| 24                                      | 660716 00                                   | PLASTIC KNOB              | MANOPOLA                    | POIGNE                   | KNOPF                         |
|                                         |                                             |                           |                             |                          |                               |



EDIPROM  
—HEKAM—  
0106.02

**SD 18 - REFRIGERANT SYSTEM AIR COOLED - SISTEMA REFRIGERANTE RAFFR. AD ARIA**  
**CIRCUIT FRIGORIFIQUE REFROID. PAR AIR - LUFTGEKÜHLT GEFRIERSYSTEM**

| ITEM NO<br>POS NO<br>REP. NO<br>REF. NO | PART NO<br>CODICE<br>REFERENCE<br>STUECK NR | DESCRIPTION                              | DESCRIZIONE                                         | DESIGNATION                                    | BESCHREIBUNG                           |
|-----------------------------------------|---------------------------------------------|------------------------------------------|-----------------------------------------------------|------------------------------------------------|----------------------------------------|
| 1                                       | 670100 02                                   | COMPRESSOR                               | COMPRESSORE                                         | COMPRESSEUR                                    | KOMPRESSOR                             |
| 2                                       | 620167 29                                   | START CAPACITOR                          | CONDENSATORE D'AVVIAMENTO                           | CAPACITE DE DEMARRAGE                          | START CONDENSATOR                      |
| 3                                       | 620058 88                                   | PROTECTOR                                | PROTETTORE                                          | PROTECTEUR                                     | SCHUTZGERAT                            |
| 4                                       | 620057 57                                   | RELAY                                    | RELE'                                               | RELAIS                                         | RELAIS                                 |
| 5                                       | 650109 00                                   | VALVE BODY                               | CORPO VALVOLA                                       | CORPS DE VANNE                                 | VENTILGEHAUSE                          |
| 6                                       | 670012 00                                   | VALVE PISTON                             | PISTONCINO VALVOLA                                  | PISTON                                         | VENTILKOLBEN                           |
| 7                                       | 650106 00                                   | VALVE CAP                                | CAPPUCCIO VALVOLA                                   | CAPUCHON DE VANNE                              | VENTILKLAPPE                           |
| 8                                       | 620419 02<br>620419 32                      | FAN MOTOR<br>FAN BLADE                   | MOTOVENTILATORE<br>VENTOLA                          | MOTO-VENTILATEUR<br>HELICE                     | LÜFTERMOTOR<br>FLUGEL                  |
| 9                                       | 620285 00                                   | AIR COOLED CONDENSER                     | CONDENSATORE AD ARIA                                | CONDENSEUR                                     | KONDENSATOR                            |
| 10                                      | 630003 05                                   | DRIER                                    | FILTRO DEUMIDIFICATORE                              | FILTRE DESHYDRATEUR                            | TROCKNER                               |
| 11                                      | 630020 01                                   | MECHANICAL FILTER                        | FILTRO MECCANICO                                    | FILTRE MECANIQUE                               | MECHANISCHFILTERN                      |
| 12                                      | 620306 48<br>620306 14                      | HOT GAS VALVE COIL<br>HOT GAS VALVE BODY | BOBINA VALVOLA GAS CALDO<br>CORPO VALVOLA GAS CALDO | BOBINE VANNE GAZ CHAUD<br>CORP VANNE GAZ CHAUD | HEISSGAZ VENTIL SPULE<br>VENTILGEHAUSE |
| 13                                      | 784572 00                                   | EVAPORATOR ASSY                          | ASSIEME EVAPORATORE                                 | ENS. EVAPORATEUR                               | VERDAMPFER                             |
| 14                                      | 784444 07                                   | ACCUMULATOR ASSY                         | ASSIEME ACCUMULATORE                                | ENS. ACCUMULATEUR                              | SAMMLER UND SAUGLEITUNGEN              |
|                                         |                                             |                                          |                                                     |                                                |                                        |

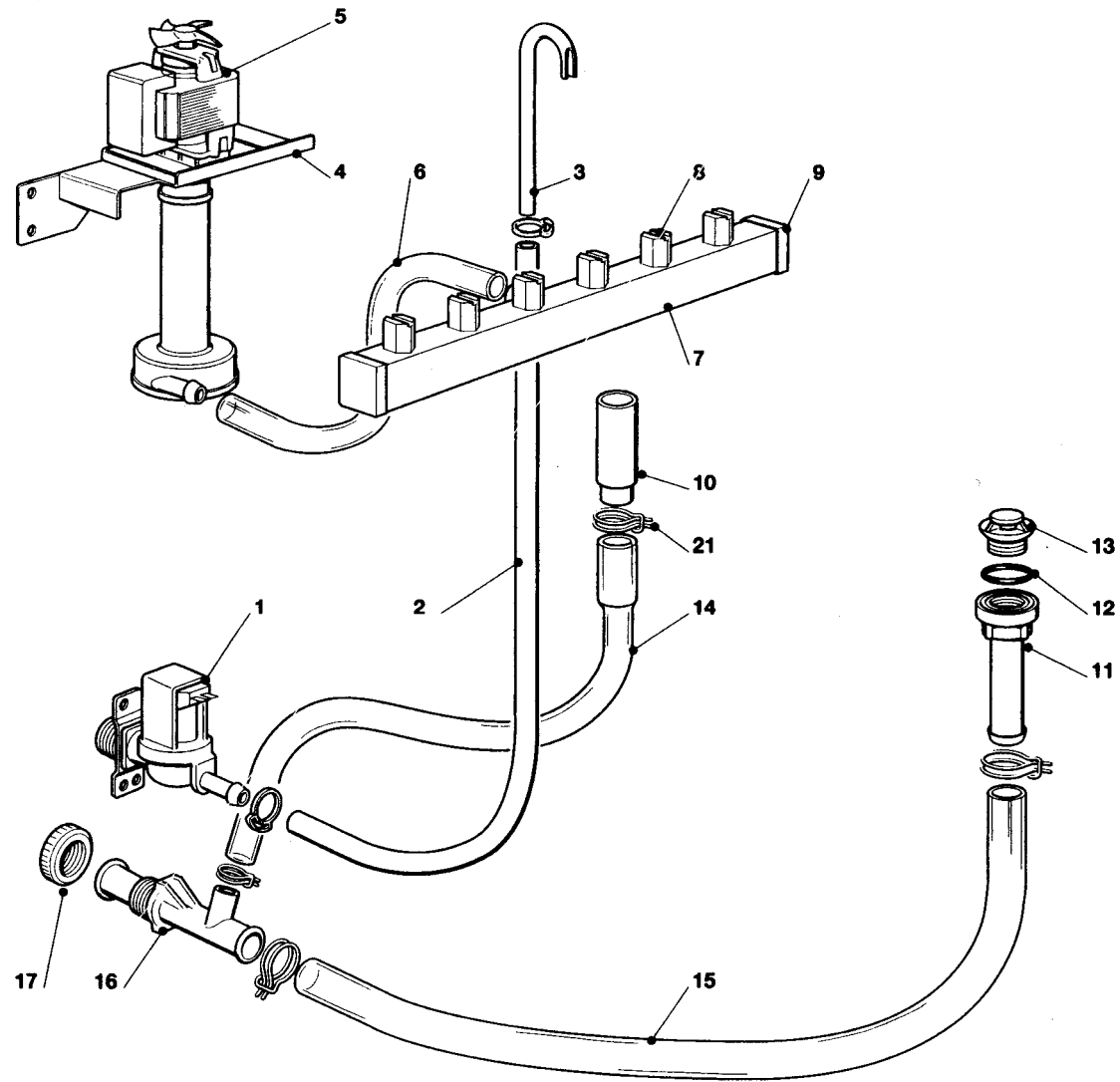


EDIPROM  
REGIAC  
0106.03

**SD 18 - REFRIGERANT SYSTEM WATER COOLED - SISTEMA REFRIGERANTE RAFFR. AD ACQUA  
CIRCUIT FRIGORIFIQUE REFROID. PAR EAU - WASSERGEKÜHLT GEFRIERSYSTEM**

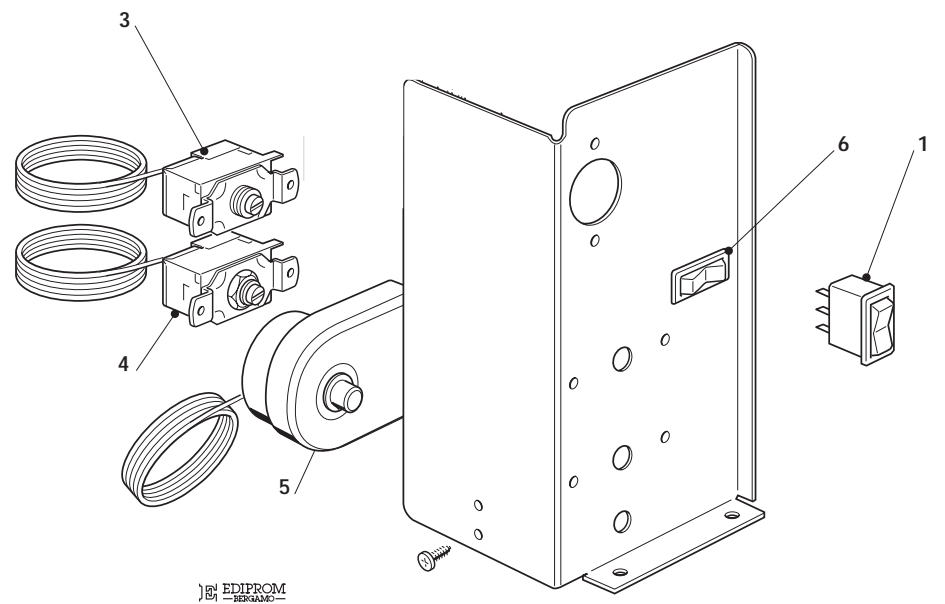
| ITEM NO<br>POS NO<br>REP. NO<br>REF. NO | PART NO<br>CODICE<br>REFERENCE<br>STUECK NR | DESCRIPTION                              | DESCRIZIONE                                         | DESIGNATION                                    | BESCHREIBUNG                           |
|-----------------------------------------|---------------------------------------------|------------------------------------------|-----------------------------------------------------|------------------------------------------------|----------------------------------------|
| 1                                       | 670100 02                                   | COMPRESSOR                               | COMPRESSORE                                         | COMPRESSEUR                                    | KOMPRESSOR                             |
| 2                                       | 620167 29                                   | START CAPACITOR                          | CONDENSATORE D'AVVIAMENTO                           | CAPACITE DE DEMARRAGE                          | START KONDENSATOR                      |
| 3                                       | 620058 88                                   | PROTECTOR                                | PROTETTORE                                          | PROTECTEUR                                     | SCHUTZ GERAT                           |
| 4                                       | 620057 57                                   | RELAY                                    | RELE'                                               | RELAIS                                         | RELAIS                                 |
| 5                                       | 650109 00                                   | VALVE BODY                               | CORPO VALVOLA                                       | CORPS DE VANNE                                 | VENTILGEHAUSE                          |
| 6                                       | 670012 00                                   | VALVE PISTON                             | PISTONCINO VALVOLA                                  | PISTON                                         | VENTILKOLBEN                           |
| 7                                       | 650106 00                                   | VALVE CAP                                | CAPPUCCIO VALVOLA                                   | CAPUCHON DE VANNE                              | VENTILKLAPPE                           |
| 8                                       | 620389 02                                   | WATER COOLED CONDENSER                   | CONDENSATORE ACQUA                                  | CONDENSEUR A EAU                               | WASSER KONDENSATOR                     |
| 9                                       | 620075 05                                   | PRESSURE CONTROL                         | PRESSOSTATO                                         | PRESSOSTAT                                     | PRESSOSTAT                             |
| 10                                      | 630003 05                                   | DRIER                                    | FILTRO DEUMIDIFICATORE                              | FILTRE DESHYDRATEUR                            | TROCKNER                               |
| 11                                      | 630020 01                                   | MECHANICAL FILTER                        | FILTRO MECCANICO                                    | FILTRE MECANIQUE                               | MECHANISCHFILTERN                      |
| 12                                      | 620306 48<br>620306 14                      | HOT GAS VALVE COIL<br>HOT GAS VALVE BODY | BOBINA VALVOLA GAS CALDO<br>CORPO VALVOLA GAS CALDO | BOBINE VANNE GAZ CHAUD<br>CORP VANNE GAZ CHAUD | HEISSGAZ VENTIL SPULE<br>VENTILGEHAUSE |
| 13                                      | 784572 00                                   | EVAPORATOR                               | EVAPORATORE                                         | EVAPORATEUR                                    | VERDAMPFER                             |
| 14                                      | 784444 07                                   | ACCUMULATOR ASSY                         | ASSIEME ACCUMULATORE                                | ENS. ACCUMULATEUR                              | SAMMLER UND SAUGLEITUNGEN              |
| 15                                      | 281900 01                                   | PLASTIC TUBE - PER METER                 | TUBO PVC - PER METRO                                | TUYAU EN PLASTIQUE - POUR MT.                  | PLASTIK ROHR - PRO METER               |
| 16                                      | 281900 01                                   | PLASTIC TUBE - PER METER                 | TUBO PVC - PER METRO                                | TUYAU EN PLASTIQUE - POUR MT.                  | PLASTIK ROHR - PRO METER               |
| 17                                      | 660224 00                                   | WATER DRAIN FITTING                      | RACCORDO SCARICO ACQUA                              | RACCORD EVACUATION EAU                         | WASSERABFLUSSANSCHLUSSE                |
| 18                                      | 650105 51                                   | WATER INLET VALVE                        | ELETTRIVALVOLA DOPPIA                               | VANNE ARRIVÉE EAU                              | ELEKTROVENTIL                          |
|                                         |                                             |                                          |                                                     |                                                |                                        |





## SD 18 - WATER SYSTEM - CIRCUITO IDRAULICO - CIRCUIT HYDRAULIQUE - WASSERSYSTEM

| ITEM NO<br>POS NO<br>REP. NO<br>REF. NO | PART NO<br>CODICE<br>REFERENCE<br>STUECK NR | DESCRIPTION                                                        | DESCRIZIONE                                         | DESIGNATION                                                            | BESCHREIBUNG                                               |
|-----------------------------------------|---------------------------------------------|--------------------------------------------------------------------|-----------------------------------------------------|------------------------------------------------------------------------|------------------------------------------------------------|
| 1                                       | 650105 50<br>650105 51                      | WATER INLET VALVE - AIR COOLED<br>WATER INLET VALVE - WATER COOLED | ELETTROVALVOLA INGR. ACQUA<br>ELETTROVALVOLA DOPPIA | ELECTROVANNE ARR. EAU - REFR. AIR<br>ELECTROVANNE ARR. EAU - REFR. EAU | WASSEREINLAUFVENTIL - LUFT<br>WASSEREINLAUFVENTIL - WASSER |
| 2                                       | 281900 01                                   | PLASTIC TUBE - PER METER                                           | TUBO INGRESSO ACQUA                                 | TUYAU EN PLASTIQUE - POUR MT.                                          | PLASTIK ROHR - PRO METER                                   |
| 3                                       | 734683 00                                   | WATER INLET COPPER PIPE                                            | TUBO RAME INGR. ACQUA                               | TUYAU ENTREE EAU CUIVRE                                                | WASSEREINLAUFROHR - CUPPER                                 |
| 4                                       | 724331 00                                   | METAL BRACKET                                                      | SUPPORTO POMPA INOX                                 | SUPPORT METALLIQUE                                                     | METALTRAEGER                                               |
| 5                                       | 620433 00                                   | WATER PUMP                                                         | POMPA                                               | POMPE A EAU                                                            | WASSER PUMPE                                               |
| 6                                       | 610150 03                                   | PUMP INLET WATER PIPE                                              | TUBO MANDATA POMPA                                  | TUYAU DE REFOULEMENT POMPE                                             | PUMPENABFLUSSSCHLAUCH                                      |
| 7                                       | 650665 18                                   | SPRAY BAR                                                          | TUBO SPRUZZATORE                                    | COLLECTEUR                                                             | KOLLEKTOR                                                  |
| 8                                       | 660558 00                                   | SPRAY JET                                                          | SPRUZZATORI                                         | GICLEURS                                                               | SPRÜHDÜSEN                                                 |
| 9                                       | 660557 00                                   | PLUG                                                               | UGELLO SPRUZZATORE                                  | BOUCHON POUR COLLECTEUR                                                | STOPFEN                                                    |
| 10                                      | 281720 08                                   | OVERFLOW STAND PIPE                                                | TUBO DI TROPPO PIENO                                | TROP PLEIN                                                             | UEBERLAUFROHR                                              |
| 11                                      | 660219 01                                   | DRAIN FITTING                                                      | SCARICO CELLA                                       | TUYAU EVACUATION                                                       | ABFLUSSROHR                                                |
| 12                                      | 640134 00                                   | O-RING                                                             | O-RING                                              | JOINT TORIQUE                                                          | SIMMER RING                                                |
| 13                                      | 660211 01                                   | DRAIN FILTER                                                       | FILTRO SCARICO CELLA                                | FILTRE CABINE STOCKAGE                                                 | BEHÄLTER ABLAUF FILTER                                     |
| 14                                      | 610191 00                                   | OVERFLOW DRAIN TUBE                                                | TUBO SCARICO TROPPI PIENO                           | TUYAU VIDANGE TROP PLAIN                                               | BEHÄLTER ABLAUF                                            |
| 15                                      | 610148 10                                   | STORAGE BIN DRAIN TUBE                                             | TUBO SCARICO CONTENITORE                            | TUYAU VIDANGE CONTENEUR                                                | BEHÄLTERAUSLAUFSCHLAUCH                                    |
| 16                                      | 660224 00                                   | WATER DRAIN FITTING                                                | RACCORDO A "T"                                      | RACCORD EVACUATION EAU                                                 | WASSERABFLUSSANSCHLUSSE                                    |
| 17                                      | 660535 00                                   | PLASTIC RING NUT                                                   | GHIERA                                              | COLLIER DE SERRAGE EN PLAST.                                           | PLASTIKRING MUTTER                                         |
| 21                                      | 650499 00                                   | METAL CLAMP                                                        | FASCETTA STRINGITUBO                                | COLLIER METALLIQUE                                                     | METALLFESTKLEMMEN                                          |
|                                         |                                             |                                                                    |                                                     |                                                                        |                                                            |



EDIPROM  
BERGAMO  
0106.04

## SD 18 - CONTROL BOX - SCATOLA DI CONTROLLO - BOITE ELECTRIQUE - SCHALTSCHRANK

| ITEM NO<br>POS NO<br>REP. NO<br>REF. NO | PART NO<br>CODICE<br>REFERENCE<br>STUECK NR | DESCRIPTION           | DESCRIZIONE              | DESIGNATION            | BESCHREIBUNG           |
|-----------------------------------------|---------------------------------------------|-----------------------|--------------------------|------------------------|------------------------|
| 1                                       | 620453 00                                   | SWITCH                | INTERRUTTORE LUMINOSO    | INTERRUPTEUR LUMINEUX  | SCHALTER               |
| 3                                       | 620264 15                                   | EVAPORATOR THERMOSTAT | THERMOSTATO EVAPORATORE  | THERMOSTAT EVAPORATEUR | VERDAMPFER THERMOSTAT  |
| 4                                       | 630005 00                                   | BIN THERMOSTAT        | THERMOSTATO CONTENITORE  | THERMOSTAT CONTENEUR   | BEHÄLTER THERMOSTAT    |
| 5                                       | 620443 02                                   | THERMOSTAT - SAFETY   | THERMOSTATO DI SICUREZZA | THERMOSTAT DE SECURITÉ | SICHERHEITS THERMOSTAT |
| 6                                       | 620442 01                                   | SWITCH                | COMMUTATORE UNIPOLARE    | INTERRUPTEUR           | UMSCHALTER             |
|                                         |                                             |                       |                          |                        |                        |

## SD 18 - COMPRESSOR CHART - TABELLA COMPRESSORI - TABLEAU COMPRESSEURS - KOMPRESSOR KARTE

| MODEL<br>MODELLO<br>MODELE<br>MODELL | VOLTS<br>VOLTAGGIO<br>TENSION<br>SPANNUNG | COMPRESSOR MODEL<br>MODELLO COMPRESSORE<br>TYPE DU COMPRESSEUR<br>KOMPRESSOR TYP | COMPRESSOR ASSY<br>ASS. COMPRESSORE<br>ENS. COMPRESSEUR<br>NUR KOMPRESSOR | RELAY<br>RELE'<br>RELAIS<br>RELAIS | PROTECTOR<br>PROTETTORE<br>PROTECTEUR<br>SCHUTZGERAT | START CAPACITOR<br>CAPACITA' D'AVV.<br>CAPACITE DE DEMARR.<br>START KONDENSATOR |
|--------------------------------------|-------------------------------------------|----------------------------------------------------------------------------------|---------------------------------------------------------------------------|------------------------------------|------------------------------------------------------|---------------------------------------------------------------------------------|
| SD 18                                | 115/60/1                                  | -                                                                                | -                                                                         | -                                  | -                                                    | -                                                                               |
| SD 18                                | 230/60/1                                  | -                                                                                | -                                                                         | -                                  | -                                                    | -                                                                               |
| SD 18                                | 230/50/1                                  | GL 45 TB                                                                         | 670100 02                                                                 | 620057 57                          | 620058 88                                            | 620167 29                                                                       |

## SD 18 - ELECTRIC COMPONENTS CHART - TABELLA COMPONENTI ELETTRICI TABLEAU COMPOSANTS ELECTRIQUE - ELEKTRISCHEKARTE

| MODEL<br>MODELLO<br>MODELE<br>MODELL | VOLTS<br>TENSIONE<br>TENSION<br>SPANNUNG | WATER PUMP<br>POMPA<br>POMPE A EAU<br>WASSER PUMPE | FAN MOTOR ONLY<br>MOTORE VENTILATORE<br>MOTEUR VENTILATEUR<br>LUFTER MOTOR | WATER INLET VALVE<br>VALVOLA INGR. ACQUA<br>V.E.M. ARRIVEE' EAU<br>WASSEREIN. VENTIL | HOT GAS VALVE<br>VALVOLA GAS CALDO<br>V.E.M. GAZ CHAUDS<br>HEISSGAZ VENTIL | TIMER<br>TIMER<br>MINUTERIE<br>TIMER |
|--------------------------------------|------------------------------------------|----------------------------------------------------|----------------------------------------------------------------------------|--------------------------------------------------------------------------------------|----------------------------------------------------------------------------|--------------------------------------|
| SD 18                                | 115/60/1                                 | -                                                  | -                                                                          | -                                                                                    | -                                                                          | -                                    |
| SD 18                                | 230/60/1                                 | -                                                  | -                                                                          | -                                                                                    | -                                                                          | -                                    |
| SD18                                 | 230/50/1                                 | 620433 00                                          | 620419 02                                                                  | 650105 50                                                                            | 620306 48                                                                  | -                                    |