

SIMAG

SD 40

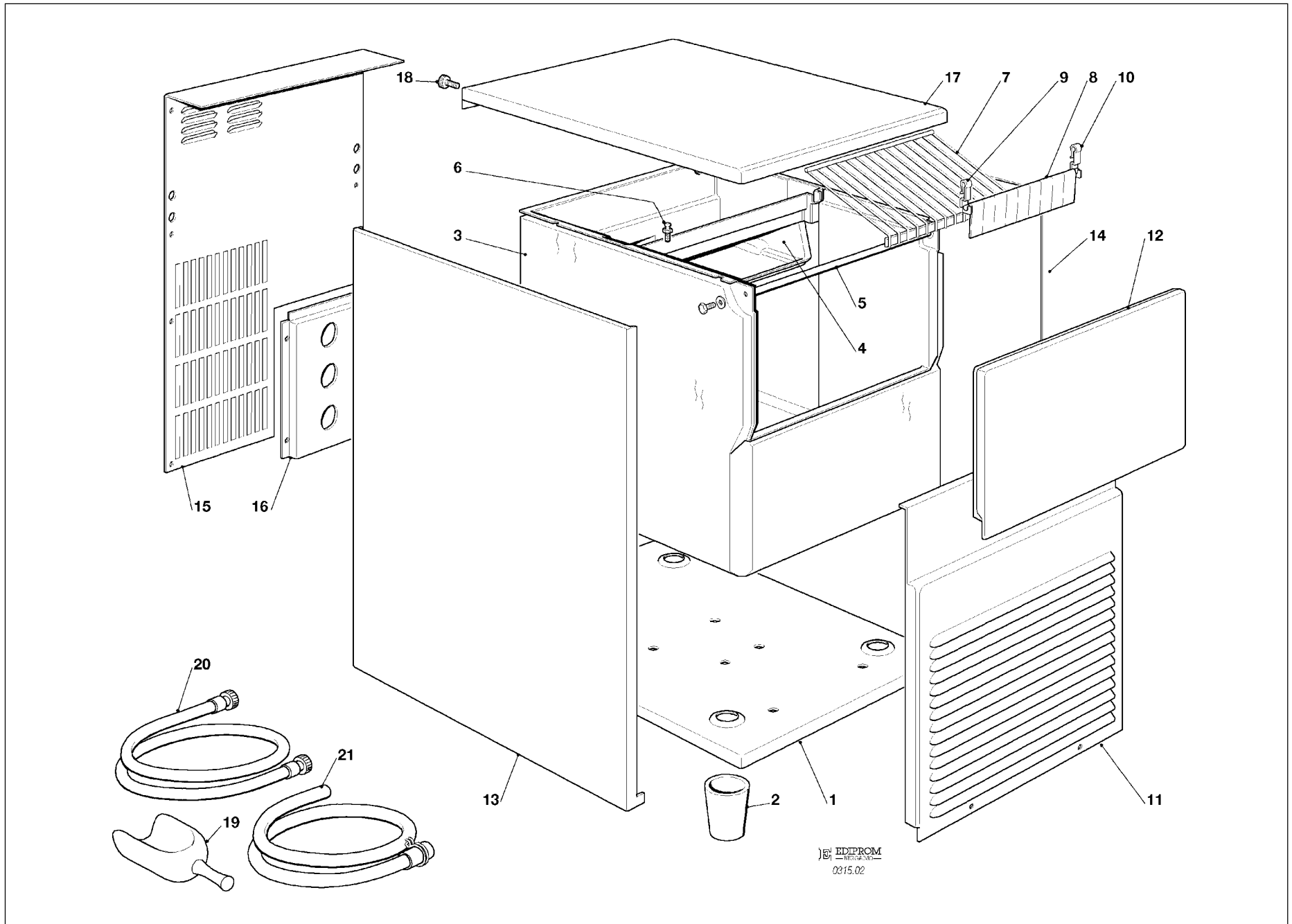
SD 60

"J" SERIES

R 134 A VERSION

**SPARE PARTS LIST
CATALOGO RICAMBI
CATALOGUE PIÈCES DÉTACHÉES
ERSATZTEILENKATALOG**

| PAGE PAGINA PAGE SEITE | TABLE OF CONTENTS | INDICE | TABLE DES MATIÈRES | INHALTVERZEICHNIS |
|---------------------------------|---|---|--|--|
| 1 | TABLE OF CONTENTS | INDICE | TABLE DES MATIÈRES | INHALTVERZEICHNIS |
| 2-3 | UNIT PANELS | ASSIEME MOBILE | ENS. CARROSSERIE | MACHINE GEHÄUSE |
| 4-5 | REFRIGERANT SYSTEM AIR COOLED | SISTEMA REFRIGERANTE RAFFR. AD ARIA | CIRCUIT FRIGORIFIQUE REFROID. A AIR | GEFRIERSYSTEM LUFTGEKÜHLT |
| 6-7 | REFRIGERANT SYSTEM WATER COOLED | SISTEMA REFRIGERANTE RAFFR. AD ACQUA | CIRCUIT FRIGORIFIQUE REFROID. A EAU | GEFRIERSYSTEM WASSERGEKÜHLT |
| 8-9 | WATER SYSTEM | CIRCUITO IDRAULICO | CIRCUIT HYDRAULIQUE | WASSER SYSTEM |
| 10-11 | CONTROL BOX | SCATOLA DI CONTROLLO | BOITE ELECTRIQUE | SCHALTSCHRANK |
| 12 | COMPRESSON AND ELECTRIC COMPONENT CHARTS | TABELLA COMPRESSORI E COMPONENTI ELETTRICI | LISTE DES COMPRESSEURS ET COMPOSANTS ELECTRIQUE | KOMPRESSOR UND ELEKTRISCHER TEILLISTE |

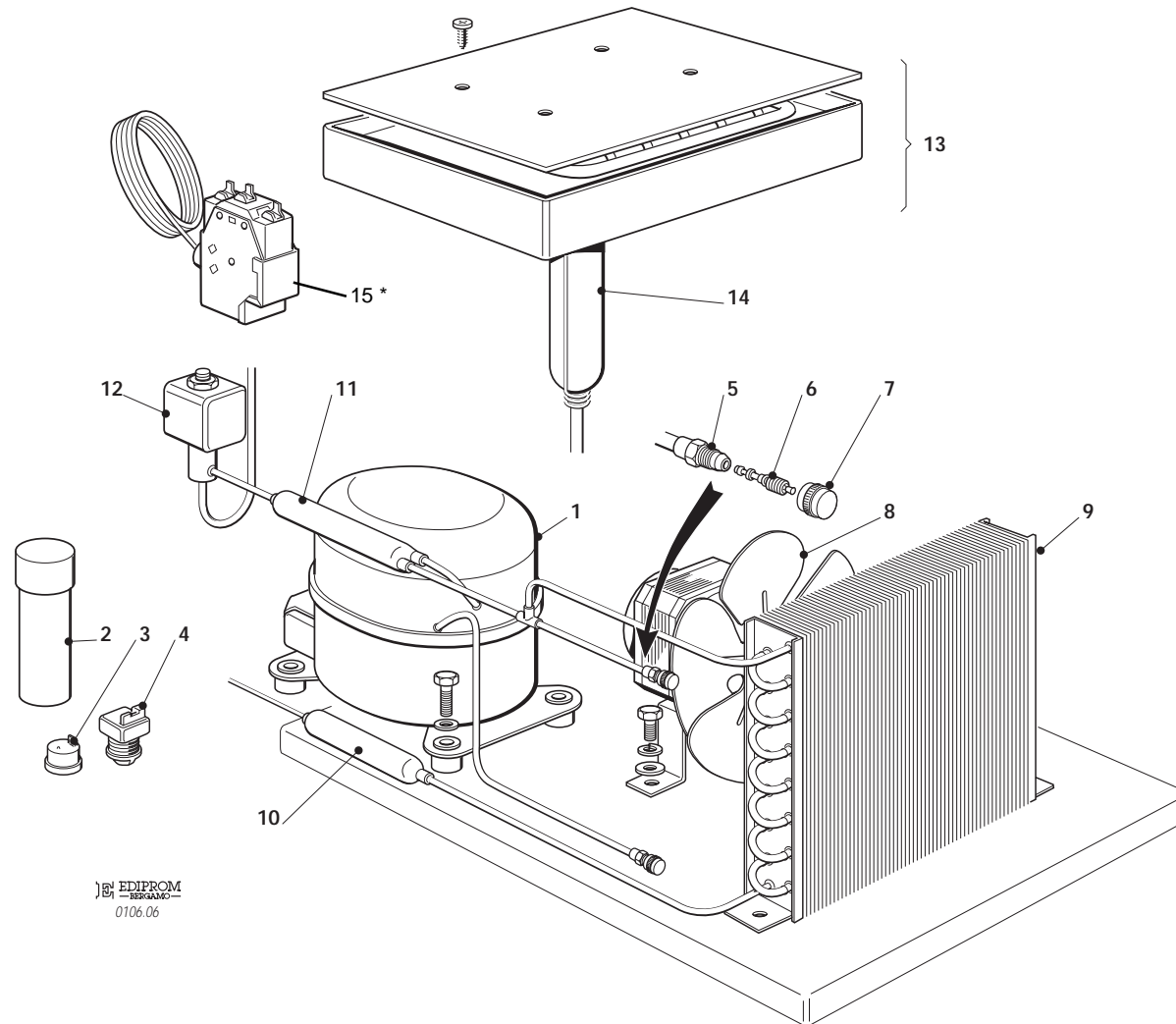


EDIPROM
0315.02

SD 40 - SD 60 - UNIT PANELS - ASSIEME MOBILE - ENS. CARROSSERIE - MACHINE GEHAUSE

| ITEM NO POS NO REP. NO REF. NO | PART NO - CODICE REFERENCE - STUECK NR. | | DESCRIPTION | DESCRIZIONE | DESIGNATION | BESCHREIBUNG |
|---|--|------------|---------------------------|-----------------------------|--------------------------|-------------------------------|
| | SD 40 | SD 60 | | | | |
| 1 | 781406 08 | | BASE | PIASTRA DI BASE | PLAQUE DE BASE | GRUNDPLATTE |
| 2 | 660638 00 | | LEG | PIEDE REGOLABILE | PIED RÉGLABE | GERÄTEFUSS |
| 3 | 782094 01R | 782094 02R | INSULATED BIN ASSY | ASSIEME CELLA ISOLATA | ENS. CABINE | ISOLIEREISSPEICHER |
| 4 | 660635 01 | | EVAPORATOR HOUSING | INVOLUCRO EVAPORATORE | CHAMBRE INTERIEUR | CELLE INTERN |
| 5 | 732016 08 | | BIN DOOR BRACKET | ASTA SPORTELLO | TIGE PORTE | KLAPPENACHSE |
| 6 | 650790 00 | | STUD | PERNO | AXE | STIFT |
| 7 | 650714 00 | | ICE DEFLECTOR | GRIGLIA SCORRIMENTO CUBETTI | GRILLE GLISSEMENT GLAÇON | ABGLEITGRILL |
| 8 | 783172 00R | | CURTAIN ASSY | ASSIEME TENDINA | ENS. LAMELLE | ABDECKKLAPPE GESAMTHEIT |
| 9 | 660388 00 | | RIGHT CURTAIN SUPPORT | SUPP. TENDINA DESTRO | SUPP. LAMELLE DROITE | RECHTE ABDECKKLAPPE HALTERUNG |
| 10 | 660388 01 | | LEFT CURTAIN SUPPORT | SUPP. TENDINA SINISTRO | SUPP. LAMELLE GAUCHE | LINKE ABDECKKLAPPE HALTERUNG |
| 11 | 721845 00 | 721846 00 | FRONT PANEL S.S. | PANNELLO ANTERIORE INOX | PANNEAU AVANT ACIER INOX | VORDERWAND EDELSTAHL |
| 12 | 782092 06 | | BIN DOOR | SPORTELLO | PORTE CABINE | SPEICHERTUER |
| 13 | 721842 00 | 721844 00 | LEFT SIDE PANEL S.S. | PANNELLO SINISTRO INOX | JOUE GAUCHE ACIER INOX | LINKE GEHÄUSESEITE EDELSTAHL |
| 14 | 721841 00 | 721843 00 | RIGHT SIDE PANEL S.S. | PANNELLO DESTRO INOX | JOUE DROITE ACIER INOX | RECHTEGEHÄUSESEITE EDELSTAHL |
| 15 | 702324 00 | 702325 00 | REAR PANEL | PANNELLO POSTERIORE | PANNEAU POSTERIEUR | HINTERE ABDECKUNG |
| 16 | 702301 00 | | METAL BRACKET FOR FITTING | SUPPORTO ATTACCHI | SUPPORT DE RACCORDS | METALLTRÄGER |
| 17 | 781432 02R | | TOP PANEL S.S. | PANNELLO SUPERIORE INOX | ENS. COUVERCLE | DECKEL GESAMTHEIT |
| 18 | 650806 00 | | REAR STUD | PERNO POSTERIORE | AXE ARRIÈRE | TRÄGER - HINTEN |
| 19 | 650071 00 | | ICE SCOOP | SESSOLA | SASSE | EISSCHAUFEL |
| 20 | 060513 00 | | KIT WATER SUPPLY HOSE | KIT TUBO ALIM. ACQUA | KIT TUYAU D'ALIM. EAU | WASSERANSCHLUSSSCHLAUCH |
| 21 | 060513 01 | | KIT WATER DRAIN HOSE | KIT TUBO SCARICO ACQUA | KIT TUYAU VIDANGE EAU | WASSER SLAUFSCHLAUCH |
| * | 650805 00 | | SIMAG LOGO | TARGHETTA SIMAG | EMBLEME SIMAG | SIMAG ABGEBILDET |
| * | 650805 14 | | SD 40 LOGO | TARGHETTA SD 40 | EMBLEME SD 40 | SD 40 ABGEBILDET |
| * | 650805 15 | | SD 60 LOGO | TARGHETTA SD 60 | EMBLEME SD 60 | SD 60 ABGEBILDET |

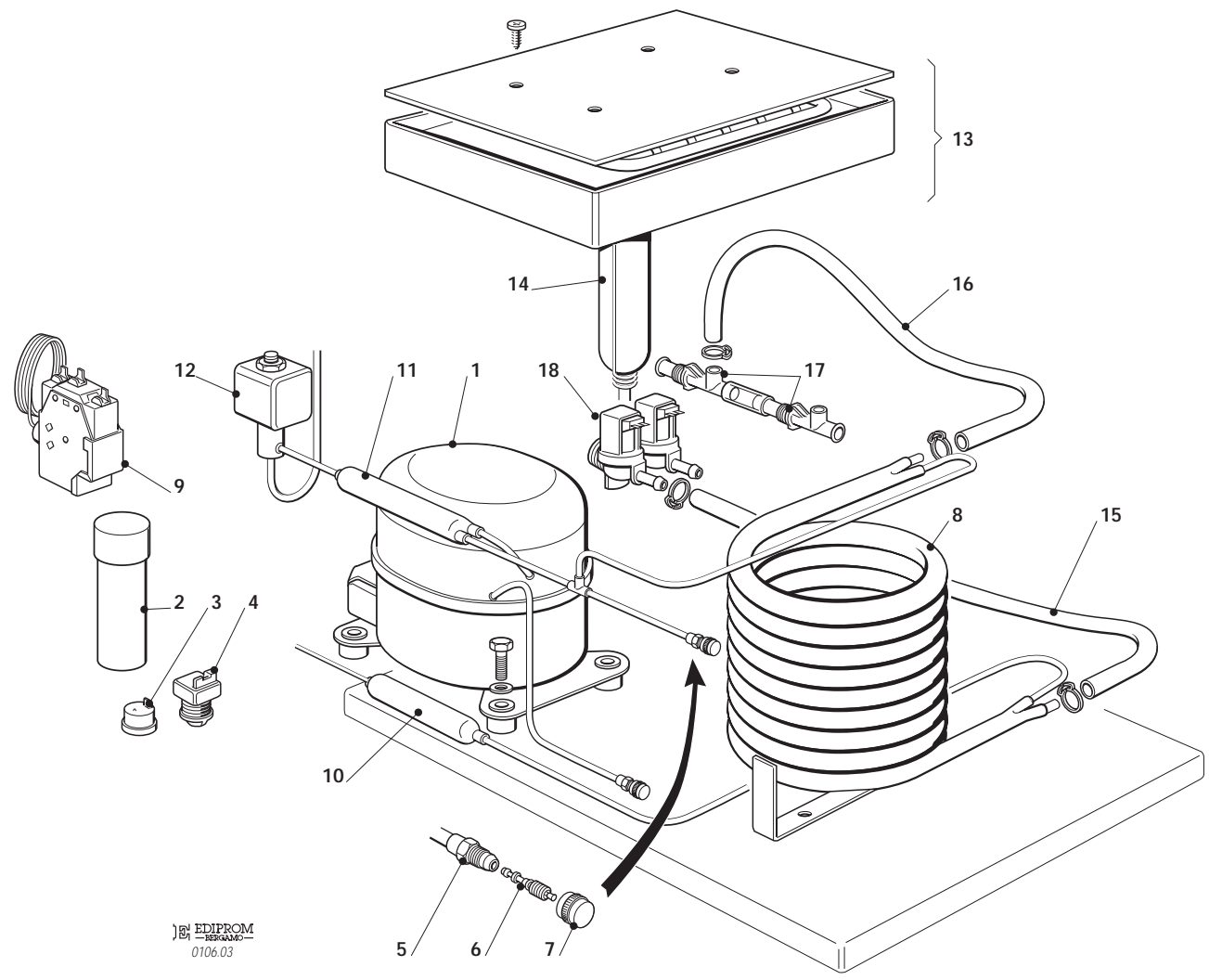
* only SD 60 A
solo SD 60 A



EDIPROM
BERGAMO
0106.06

SD 40 - SD 60 - REFRIGERANT SYSTEM AIR COOLED - SISTEMA REFRIGERANTE RAFFR. AD ARIA
CIRCUIT FRIGORIFIQUE REFROID. PAR AIR - LUFTGEKÜHLT GEFRIERSYSTEM

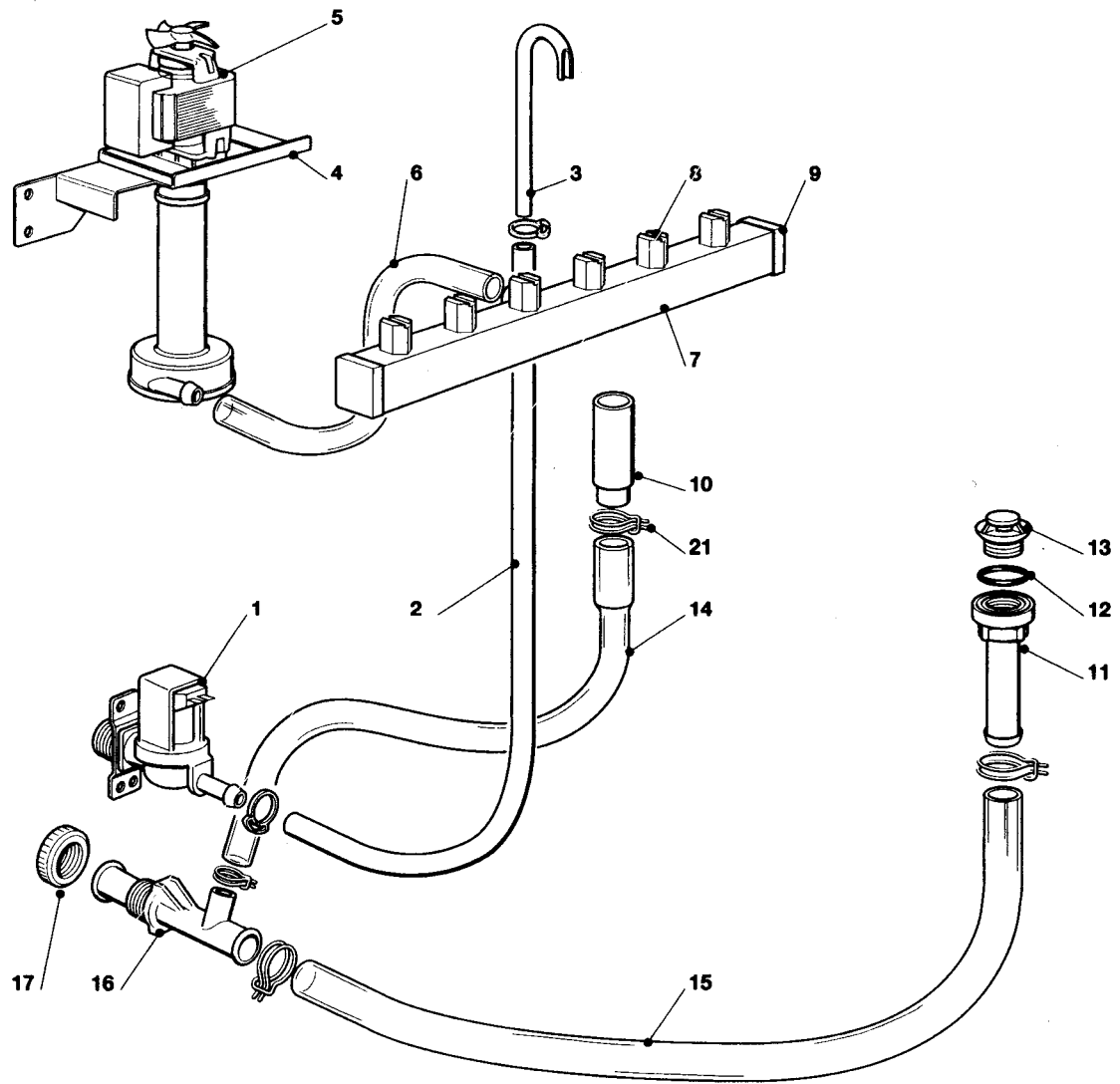
| ITEM NO POS NO REP. NO REF. NO | PART NO - CODICE REFERENCE - STUECK NR. | | DESCRIPTION | DESCRIZIONE | DESIGNATION | BESCHREIBUNG |
|---|--|-----------|--|---|--|--|
| | SD 40 | SD 60 | | | | |
| 1 | 670100 00 | 670100 01 | COMPRESSOR | COMPRESSORE | COMPRESSEUR | KOMPRESSOR |
| 2 | 620167 29 | 620167 29 | START CAPACITOR | CONDENSATORE D'AVVIAMENTO | CAPACITE DE DEMARRAGE | START CONDENSATOR |
| 3 | 620478 03 | 620058 67 | PROTECTOR | PROTETTORE | PROTECTEUR | SCHUTZGERAT |
| 4 | 620057 31 | 620057 56 | RELAY | RELÈ | RELAIS | RELAIS |
| 5 | 650109 00 | | VALVE BODY | CORPO VALVOLA | CORPS DE VANNE | VENTILGEHAUSE |
| 6 | 670012 00 | | VALVE PISTON | PISTONCINO VALVOLA | PISTON | VENTILKOLBEN |
| 7 | 650106 00 | | VALVE CAP | CAPPUCCIO VALVOLA | CAPUCHON DE VANNE | VENTILKLAPPE |
| 8 | 620419 02 620419 32 | 620419 33 | FAN MOTOR FAN BLADE | MOTOVENTILATORE VENTOLA | MOTO-VENTILATEUR HELICE | LÜFTERMOTOR FLÜGEL |
| 9 | 620420 00 | 620439 00 | AIR COOLED CONDENSER | CONDENSATORE AD ARIA | CONDENSEUR | KONDENSATOR |
| 10 | 630003 05 | | DRIER | FILTRO DEUMIDIFICATORE | FILTRE DESHYDRATEUR | TROCKNER |
| 11 | 630137 00 | 630137 01 | MECHANICAL FILTER | FILTRO MECCANICO | FILTRE MECANIQUE | MECHANISCHFILTERN |
| 12 | 620306 48 620306 27 | | HOT GAS VALVE COIL HOT GAS VALVE BODY | BOBINA VALVOLA GAS CALDO CORPO VALVOLA GAS CALDO | BOBINE VANNE GAZ CHAUDS CORP VANNE GAZ CHAUDS | HEISSGAZ VENTIL SPULE VENTILGEHAUSE |
| 13 | 784480 00 | 784480 01 | EVAPORATOR ASSY | ASSIEME EVAPORATORE | ENS. EVAPORATEUR | VERDAMPFER |
| 14 | 784444 03 | 784444 15 | ACCUMULATOR ASSY | ASSIEME ACCUMULATORE | ENS. ACCUMULATEUR | SAMMLER UND SAUGLEITUNGEN |
| 15 | - | 620075 00 | PRESSURE CONTROL | PRESSOSTATO | PRESSOSTAT | PRESSOSTAT |
| | | | | | | |



EDIPROM
BERGAMO
0106.03

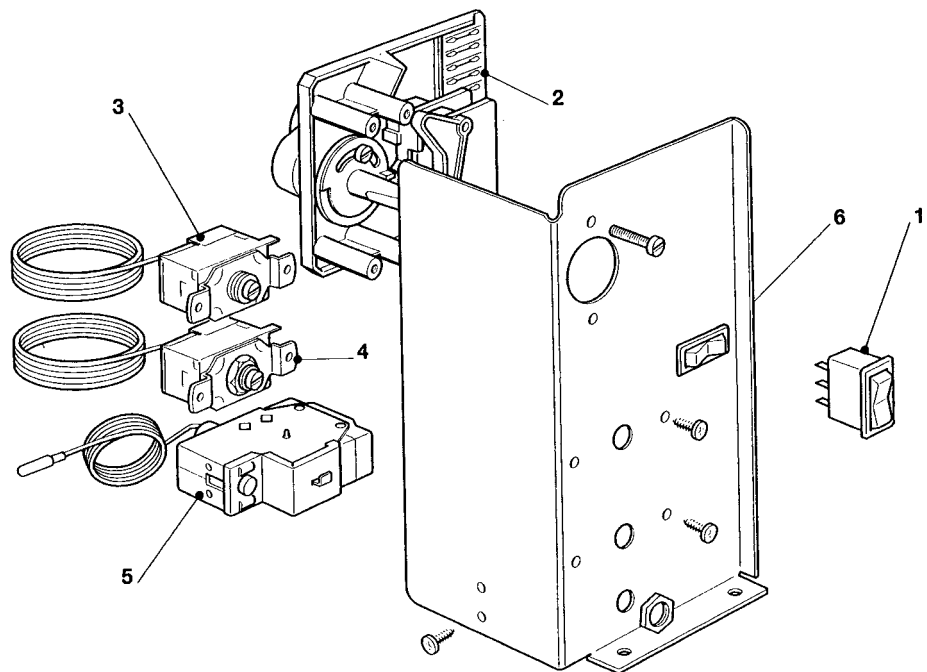
SD 40 - SD 60 - REFRIGERANT SYSTEM WATER COOLED - SISTEMA REFRIGERANTE RAFFR. AD ACQUA
CIRCUIT FRIGORIFIQUE REFROID. PAR EAU - WASSERGEKOHL T GEFRIERSYSTEM

| ITEM NO POS NO REP. NO REF. NO | PART NO - CODICE | | DESCRIPTION | DESCRIZIONE | DESIGNATION | BESCHREIBUNG |
|---|------------------------|-----------|--|---|--|--|
| | REFERENCE - STUECK NR. | | | | | |
| | SD 40 | SD 60 | | | | |
| 1 | 670100 00 | 67010001 | COMPRESSOR | COMPRESSORE | COMPRESSEUR | KOMPRESSOR |
| 2 | 620167 29 | 620167 29 | START CAPACITOR | CONDENSATORE D'AWIAMENTO | CAPACITE DE DEMARRAGE | START CONDENSATOR |
| 3 | 620478 03 | 620058 67 | PROTECTOR | PROTETTORE | PROTECTEUR | SCHUTZGERAT |
| 4 | 620057 31 | 620057 56 | RELAY | RELÈ | RELAIS | RELAIS |
| 5 | 650109 00 | | VALVE BODY | CORPO VALVOLA | CORPS DE VANNE | VENTILGEHAUSE |
| 6 | 670012 00 | | VALVE PISTON | PISTONCINO VALVOLA | PISTON | VENTILKOLBEN |
| 7 | 650106 00 | | VALVE CAP | CAPPUCCIO VALVOLA | CAPUCHON DE VANNE | VENTILKLAPPE |
| 8 | 620389 00 | | WATER COOLED CONDENSER | CONDENSATORE ACQUA | CONDENSEUR A EAU | WASSER KONDENSATOR |
| 9 | 620075 00* | | PRESSURE CONTROL | PRESSOSTATO | PRESSOSTAT | PRESSOST A T |
| 10 | 630003 05 | | DRIER | FILTRO DEUMIDIFICATORE | FILTRE DESHYDRATEUR | TROCKNER |
| 11 | 630137 00 | 63013701 | MECHANICAL FILTER | FILTRO MECCANICO | FIL TRE MECANIQUE | MECHANISCHFIL TERN |
| 12 | 620306 48 620306 27 | | HOT GAS VALVE COI L HOT GAS VALVE BODY | BOBINA VALVOLA GAS CALDO CORPO VALVOLA GAS CALDO | BOBINE VANNE GAZ CHAUDS CORP VANNE GAZ CHAUDS | HEISSGAZ VENTI L SPULE VENTILGEHAUSE |
| 13 | 784480 00 | 784480 01 | EVAPORATOR ASSY | ASSIEME EVAPORATORE | ENS. EVAPORATEUR | VERDAMPFER |
| 14 | 784444 03 | 784444 15 | ACCUMULATOR ASSY | ASSIEME ACCUMULATORE | ENS. ACCUMULATEUR | SAMMLER UND SAUGLEITUNGEN |
| 15 | 281900 01 | | PLASTIC TUBE - PER METER | TUBO PVC - PER METRO | TUYAU EN PLASTIQUE - POUR MT. | PLASTIK ROHR - PRO METER |
| 16 | 281900 01 | | PLASTIC TUBE - PER METER | TUBO PVC - PER METRO | TUYAU EN PLASTIQUE - POUR MT. | PLASTIK ROHR - PRO METER |
| 17 | 660224 00 | | WATER DRAIN FITTING | RACCORDO SCARICO ACQUA | RACCORD EVACUATION EAU | WASSERABFLUSSANSCHLUSSE |
| 18 | 650105 70 | | WATER INLET VALVE | ELETTROV AL VOLA DOPPIA | VANNE ARRIVÉE EAU | ELEKTROVENTIL |
| | * 620499 01 | | FROM SD 40 S.N. MD 371526 SD 60 S. N. ME 461069 | DA SD 40 MATRICOLA MD 371526 SD 60 MATRICOLA ME 461069 | A PARTIR DU SD 40 N.S. MD 371526 SD 60 N.S. ME 461069 | VON SD 40 S.N. MD 371526 SD 60 S.N. ME 461069 |



SD 40 - SD 60 - WATER SYSTEM - CIRCUITO IDRAULICO - CIRCUIT HYDRAULIQUE - WASSERSYSTEM

| ITEM NO POS NO REP. NO REF. NO | PART NO - CODICE REFERENCE - STUECK NR. | | DESCRIPTION | DESCRIZIONE | DESIGNATION | BESCHREIBUNG |
|---|--|-----------|--|---|--|--|
| | SD 40 | SD 60 | | | | |
| 1 | 650105 66 650105 70 | | WATER INLET VALVE - AIR COOLED WATER INLET VALVE - WATER COOLED | VALVOLA INGR. ACQUA - RAFF. ARIA VALVOLA INGR. ACQUA - RAFF. ACQUA | VANNE ARRIVEE EAU - REFR. AIR VANNE ARRIVEE EAU - REFR. EAU | WASSEREINLAUFVENTIL - LUFTGEKÜHLT WASSEREINLAUFVENTIL - WASSERGEKÜHLT |
| 2 | 281900 01 | | PLASTIC TUBE - PER METER | TUBO INGRESSO ACQUA | TUYAU EN PLASTIQUE - POUR MT. | PLASTIK ROHR - PRO METER |
| 3 | 734683 00R | | WATER INLET COPPER PIPE | TUBO RAME INGR. ACQUA | TUYAU ENTREE EAU CUIVRE | WASSEREINLAUFROHR - CUPPER |
| 4 | 724333 00 | | METAL BRACKET | SUPPORTO POMPA INOX | SUPPORT METALLIQUE | METALLTRAEGER |
| 5 | 620433 00 | | WATER PUMP | POMPA | POMPE A EAU | WASSER PUMPE |
| 6 | 610150 03 | | PUMP INLET WATER PIPE | TUBO MANDATA POMPA | TUYAU DE REFOULEMENT POMPE | PUMPENABFLUSSSCHLAUCH |
| 7 | 650665 19 | 650665 20 | SPRAY BAR | TUBO SPRUZZATORE | COLLECTEUR | KOLLEKTOR |
| 8 | 660558 00 (8 x SD 40 / 10 x SD 60) | | SPRAY JET | SPRUZZATORI | GICLEURS | SPRÜHDÜSEN |
| 9 | 660557 00 | | PLUG | UGELLO SPRUZZATORE | BOUCHON POUR COLLECTEUR | STOPFEN |
| 10 | 660698 02 | | OVERFLOW STAND PIPE | TUBO DI TROPPO PIENO | TROP PLEIN | UEBERLAUFROHR |
| 11 | 660219 01 | | DRAIN FITTING | SCARICO CELLA | TUYAU EVACUATION | ABFLUSSROHR |
| 12 | 640134 00 | | O RING | O-RING | JOINT TORIQUE | SIMMER RING |
| 13 | 660211 01 | | DRAIN FILTER | FILTRO SCARICO CELLA | FILTRE CABINE STOCKAGE | BEHÄLTER ABLAUF FILTER |
| 14 | 610191 01 | | OVERFLOW DRAIN TUBE | TUBO SCARICO TROPPO PIENO | TUYAU VIDANGE TROP PLAIN | BEHÄLTER ABLAUF |
| 15 | 610148 20 | | STORAGE BIN DRAIN TUBE | TUBO SCARICO CONTENITORE | TUYAU VIDANGE CONTENEUR | BEHÄLTERAUSLAUFSCHLAUCH |
| 16 | 660224 00 | | WATER DRAIN FITTING | RACCORDO A "T" | RACCORD EVACUATION EAU | WASSERABFLUSSANSCHLUSSE |
| 17 | 660535 00 | | PLASTIC RING NUT | GHIERA | COLLIER DE SERRAGE EN PLAST. | PLASTIKRING MUTTER |
| | | | | | | |



SD 40 - SD 60 - CONTROL BOX - SCATOLA DI CONTROLLO - BOITE ELECTRIQUE - SCHALTSCHRANK

| ITEM NO POS NO REP. NO REF. NO | PART NO - CODICE REFERENCE - STUECK NR. | | DESCRIPTION | DESCRIZIONE | DESIGNATION | BESCHREIBUNG |
|---|--|-------|-----------------------|-------------------------|------------------------|------------------------|
| | SD 40 | SD 60 | | | | |
| 1 | 620453 00 | | SWITCH | INTERRUTTORE LUMINOSO | INTERRUPTEUR LUMINEUX | SCHALTER |
| 2 | 620441 00 | | TIMER | TIMER | MINUTERIE | TIMER |
| 3 | 630005 00 | | BIN THERMOSTAT | TERMOSTATO CONTENITORE | THERMOSTAT CONTENEUR | BEHÄLTER THERMOSTAT |
| 4 | 620201 01 | | EVAPORATOR THERMOSTAT | TERMOSTATO EVAPORATORE | THERMOSTAT EVAPORATEUR | VERDAMPFER THERMOSTAT |
| 5 | 620443 02 | | THERMOSTAT - SAFETY | TERMOSTATO DI SICUREZZA | THERMOSTAT DE SECURITÉ | SICHERHEITS THERMOSTAT |
| 6 | 620442 02 | | SWITCH | COMMUTATORE UNIPOLARE | INTERRUPTEUR | UMSCHALTER |
| | | | | | | |

SD 40 - SD 60 - COMPRESSOR CHART - TABELLA COMPRESSORI - TABLEAU COMPRESSEUR - KOMPRESSOR KARTE

| MODEL MODELLO MODELE MODELL | VOLTS TENSIONE TENSION SPANNUNG | COMPRESSOR MODEL MOD. COMPRESSORE TYPE COMPRESSEUR KOMPRESSOR TYP | COMPRESSOR COMPRESSORE COMPRESSEUR KOMPRESSOR | RELAY RELE' RELAIS RELAIS | PROTECTOR PROTETTORE PROTECTEUR SCHUTZGERAT | START CAPACITOR CAPACITA D'AVV. CAPACITE DE DEMARRAGE START KONDENSATOR |
|--------------------------------------|--|--|--|------------------------------------|--|--|
| SD 40 SD 60 | 115/60/1 | - | - | - | - | - |
| SD 40 SD 60 | 230/60/1 230/60/1 | GL 90 TG GP 14 TG | 670100 07 670100 08 | 620057 37 620057 67 | 620478 00 620058 98 | 620167 29 620167 29 |
| SD 40 SD 60 | 230/50/1 230/50/1 | GL 90 TB GP 14 TB | 670100 00 670100 01 | 620057 31 620057 56 | 620478 03 620058 67 | 620167 29 620167 29 |

**SD 40 - SD 60 - ELECTRIC COMPONENTS CHART - TABELLA COMPONENTI ELETTRICI
TABLEAU COMPOSANTS ELECTRIQUE - ELEKTRISCHEKARTE**

| MODEL MODELLO MODELE MODELL | VOLTS TENSIONE TENSION SPANNUNG | WATER PUMP POMPA POMPE A EAU WASSER PUMPE | FAN MOTOR ONLY MOTORE VENTILATORE MOTEUR VENTILATEUR LUFTER MOTOR | WATER INLET VALVE VALV. INGR. ACQUA V.E.M. ARRIVEE EAU WASSEREIN. VENTIL | HOT GAS VALVE COIL BOBINA VALVOLA GAS CALDO BOBINE V.E.M. GAZ CHAUDS HEISSGAZ VENTIL SPULE | TIMER TIMER MINUTERIE TIMER |
|--------------------------------------|--|--|--|---|---|--------------------------------------|
| SD 40 - 60 | 115/60/1 | - | - | - | - | - |
| SD 40 - 60 | 230/60/1 | 620433 01 | 620419 02 | 650105 66 / 650105 70 (AIR / WATER) | 620306 48 | 620441 00 |
| SD 40 - 60 | 230/50/1 | 620433 00 | 620419 02 | 650105 66 / 650105 70 (AIR / WATER) | 620306 48 | 620441 00 |

SIMAG

ICE MACHINES

www.simag.it

SIMAG
via Risorgimento, 4
20017 Mazzo di Rho (MI) - Italy
Tel. +39 02 93900215 (Commerciale - Sales Dept.)
Tel. +39 02 93960357 (Assistenza - Service Dept.)
Fax +39 02 93900226 (Commerciale - Sales Dept.)
Fax +39 02 93960366 (Assistenza - Service Dept.)
e-mail: sales@simag.it
e-mail: service@simag.it

Singapore Office
SIMAG FAR EAST
627A Aljunied Road
04-04 Biztech Centre
Singapore 389842
Tel. ++65 6738 5393
Fax ++65 6738 1959
e-mail: scotsice@singnet.com.sg



Certified ISO 9001
TOTAL QUALITY

